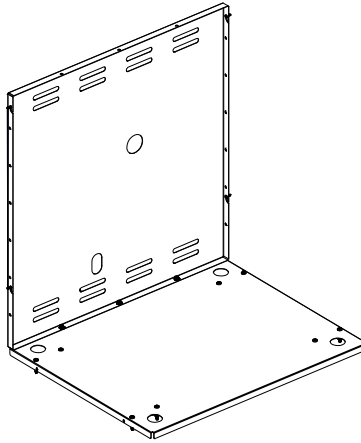


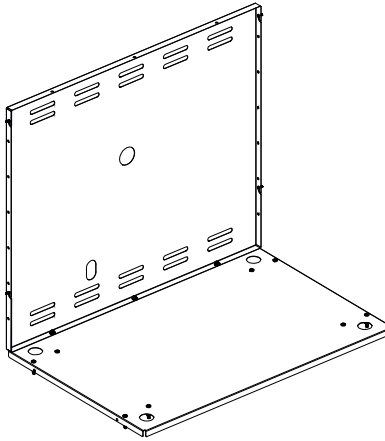
Broil King®

ASSEMBLY MANUAL & PARTS LIST - MANUEL DE MONTAGE & LISTE DE PIÈCES - MANUAL DE ARMADO Y LISTA DE PARTES

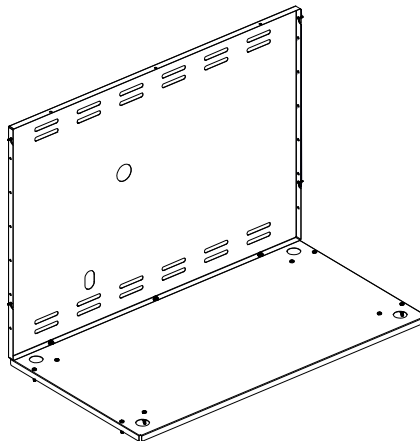
Broil King
IMPERIAL 490
BACK PANEL AND BASE KIT
900500



Broil King
IMPERIAL 590
BACK PANEL AND BASE KIT
900600



Broil King
IMPERIAL XLS
BACK PANEL AND BASE KIT
900700


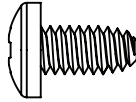
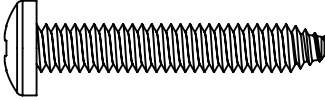
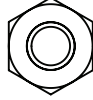
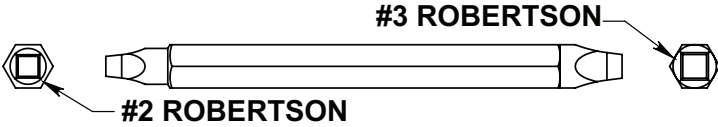


RETAIN FOR FUTURE REFERENCE - VEUILLEZ CONSERVER POUR REFERENCE ULTERIEURE - CONSERVER PARA FUTURAS CONSULTAS

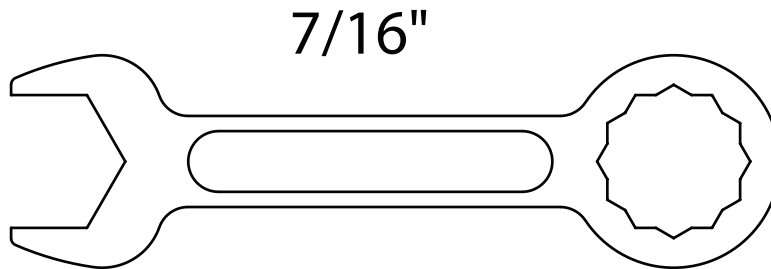
Onward
SINCE 1906
MANUFACTURING COMPANY
585 KUMPF DRIVE LIMITED
WATERLOO, ONTARIO, CANADA
N2V 1K3

70084-E20 REV B 02/18

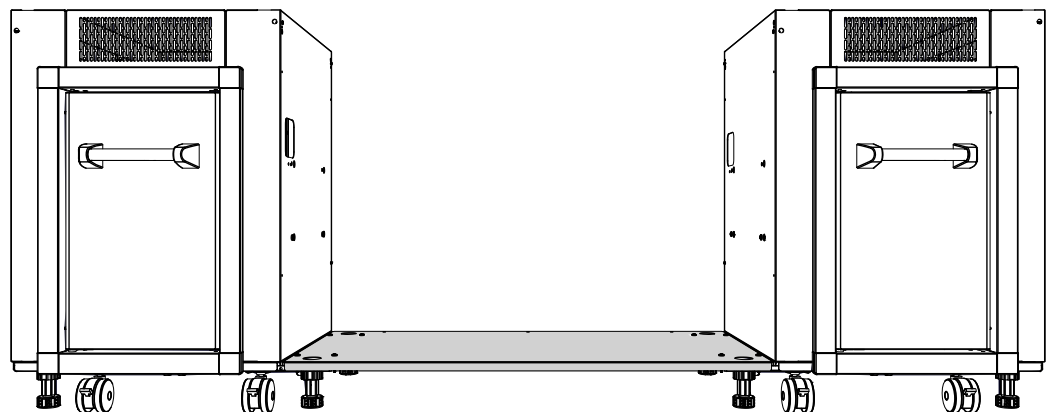
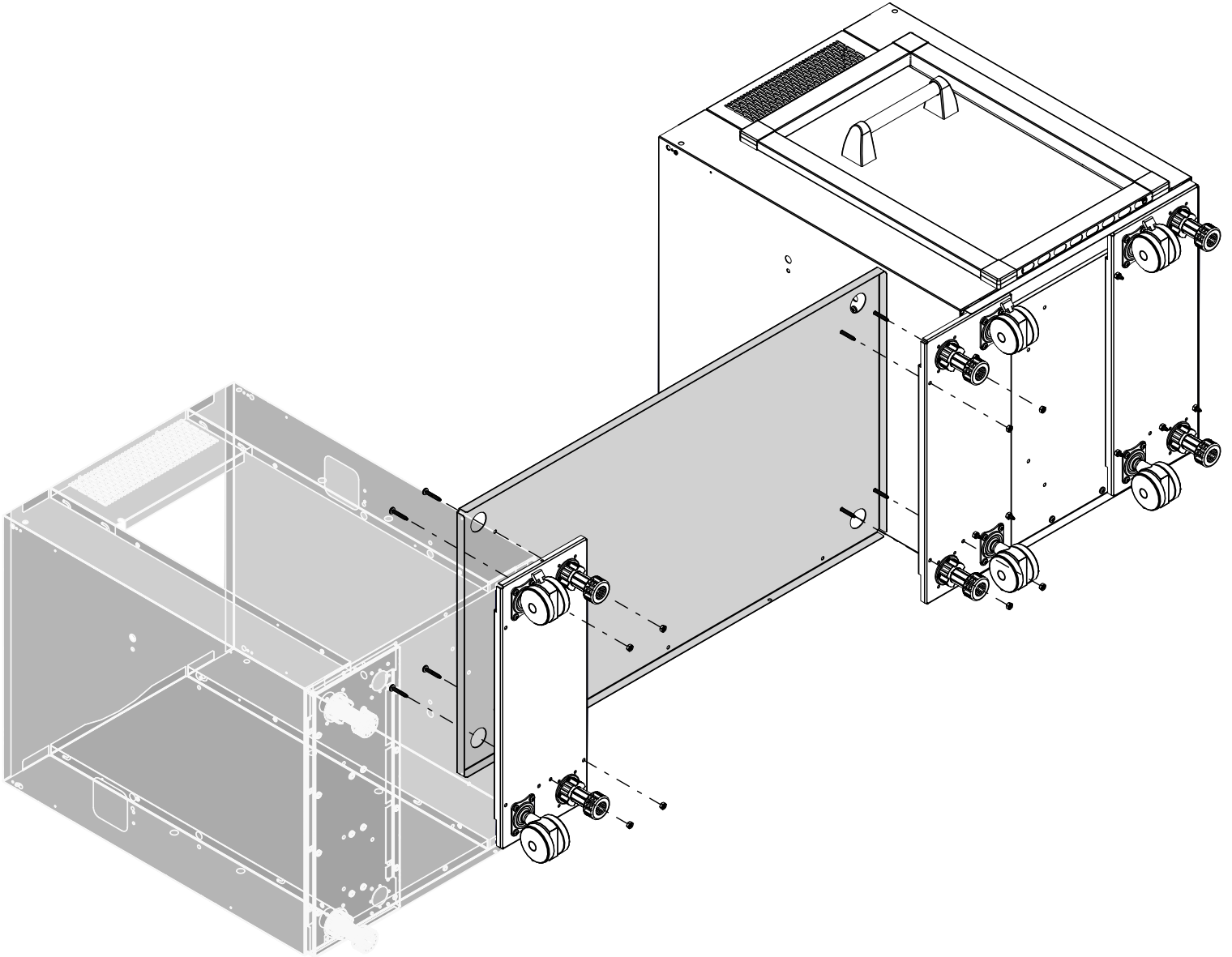
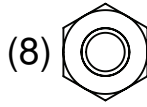
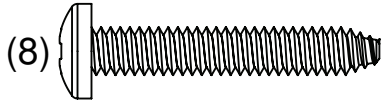
HARDWARE INCLUDED / MATERIAL INCLUS / EQUIPOS INCLUIDO

S21124		X4	Y-12865		X3
Y-11560		X8	Y-11793		X8
					

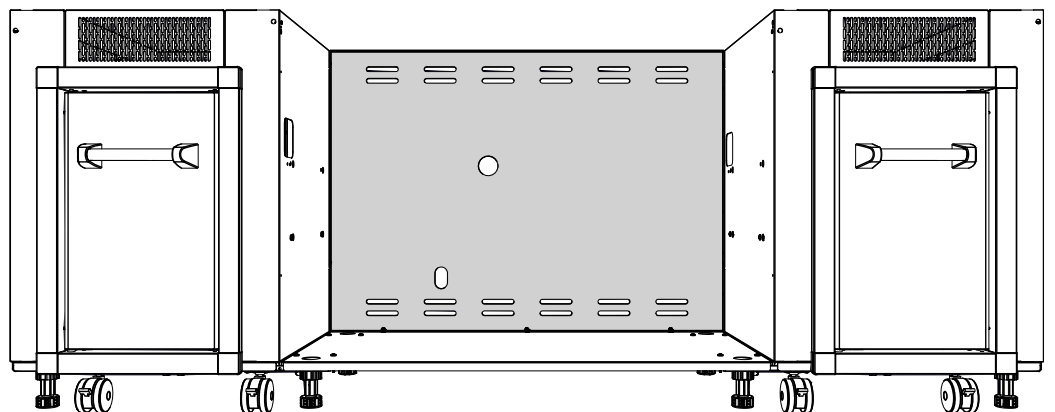
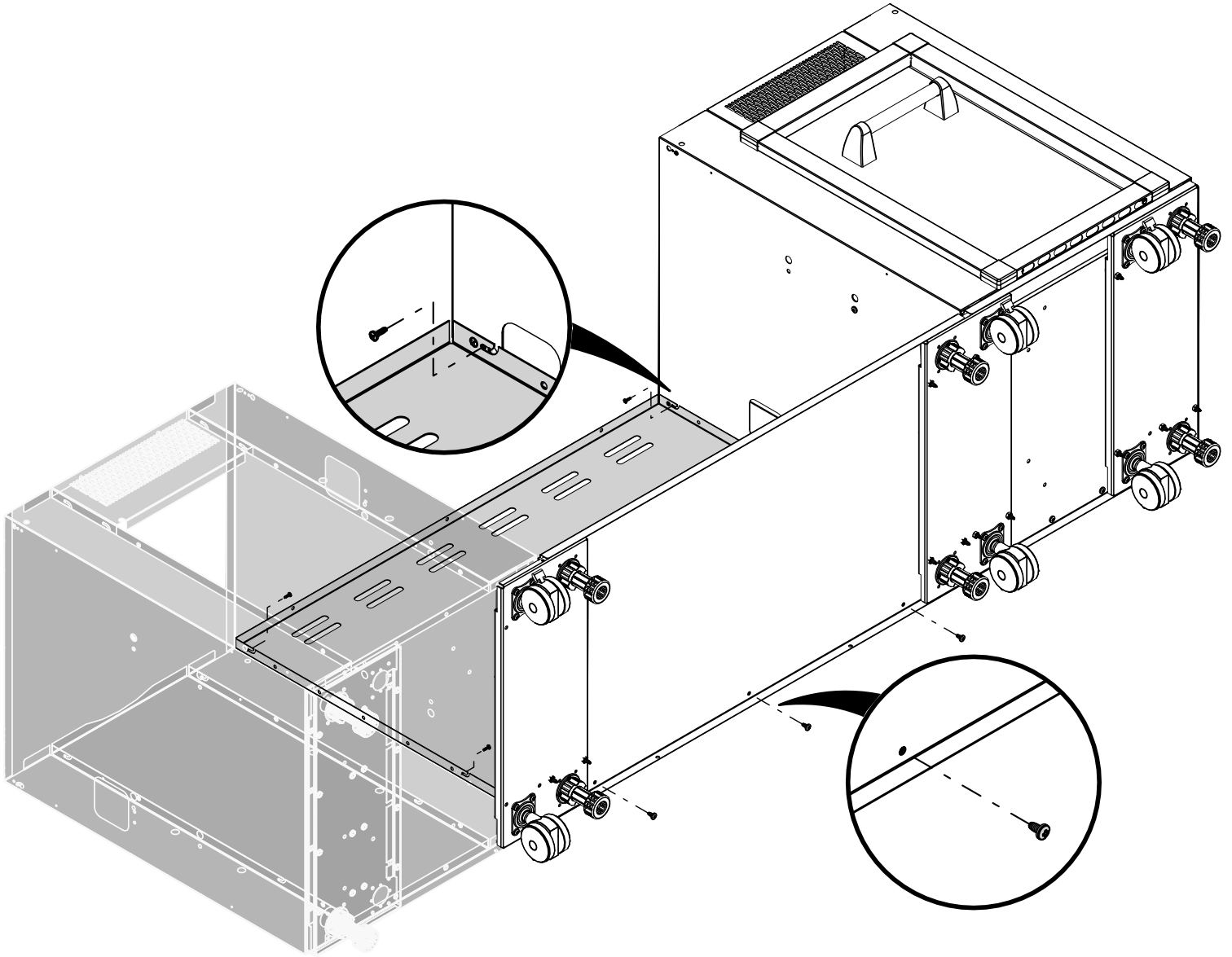
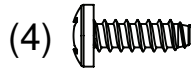
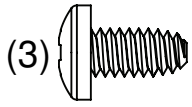
TOOLS REQUIRED / OUTILS NECESSAIRES / HERRAMIENTAS NECESARIAS



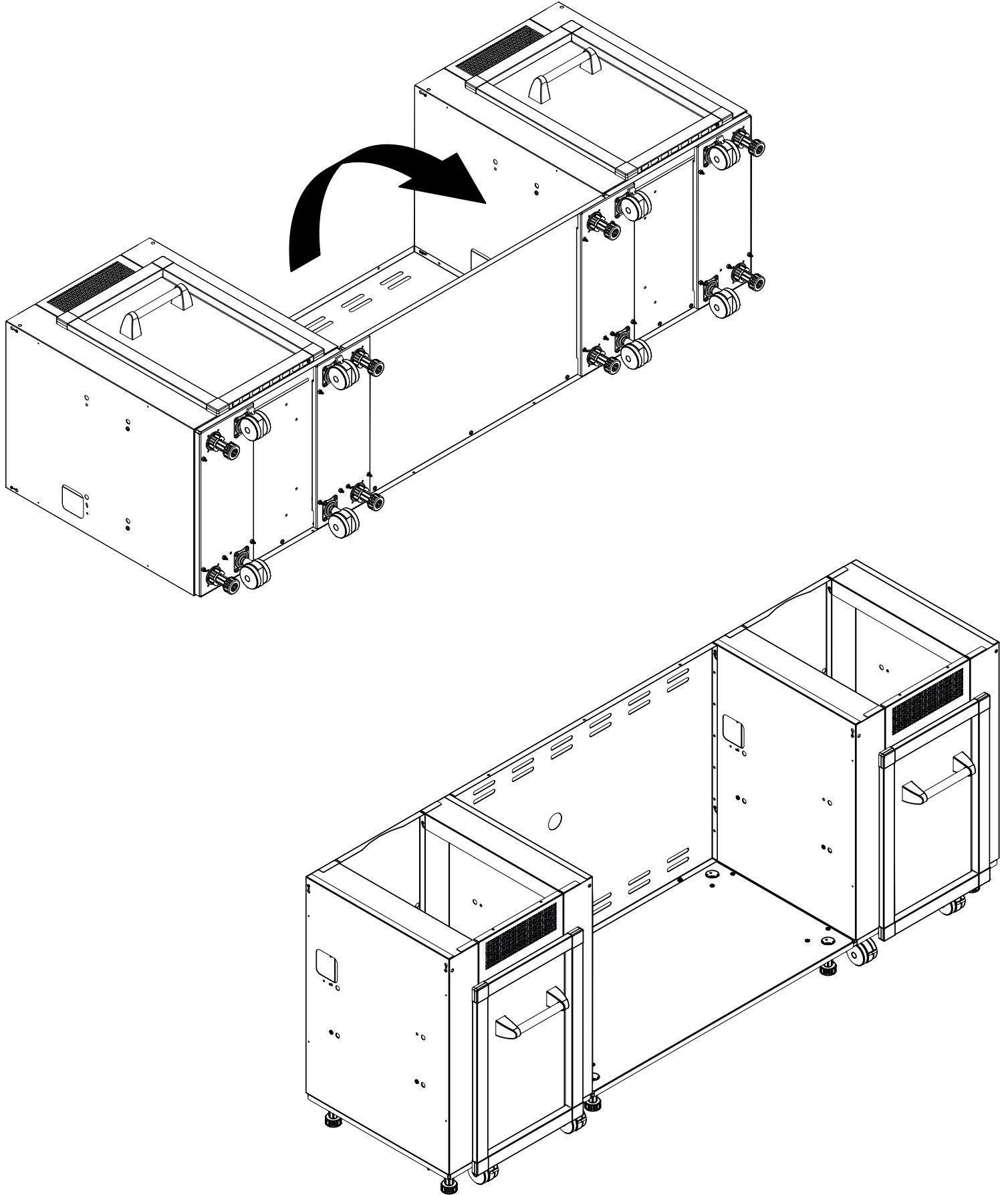
1



2



3



PARTS LIST / LISTE DES PIECES / LISTA DE PARTES

<u>KEY #</u>	<u>ITEM #</u>	<u>DESCRIPTION</u>	<u>DESCRIPTION</u>	<u>DESCRIPTION</u>	<u>900500</u>	<u>900600</u>	<u>900700</u>
1	71385-901R	REAR PANEL	PANNEAU - ARRIÈRE	PANEL - POSTERIOR	1	•	•
	71386-901R	REAR PANEL	PANNEAU - ARRIÈRE	PANEL - POSTERIOR	•	1	•
	71388-901R	REAR PANEL	PANNEAU - ARRIÈRE	PANEL - POSTERIOR	•	•	1
2	71095-901	BASE	TABLETTE INFERIEURE	BASE	1	•	•
	71096-901	BASE	TABLETTE INFERIEURE	BASE	•	1	•
	71098-901	BASE	TABLETTE INFERIEURE	BASE	•	•	1
3	S21124	SCREW #8 X 1/2	VIS #8 X 1/2	TORNILLO #8 X 1/2	4	4	4
4	Y-12865	SCREW 1/4-20 X 1/2	VIS 1/4-20 X 1/2	TOURNILLO 1/4-20 X 1/2	3	3	3
5	Y-11560	SCREW 1/4-20 X 1	VIS 1/4-20 X 1	TOURNILLO 1/4-20 X 1	8	8	8
6	Y-11793	NUT 1/4-20	ECROU 1/4-20	TUERCA 1/4-20	8	8	8

