

Broil King®



Broil King Imperial™

XL
9577-43
9577-82
9577-83
9577-86



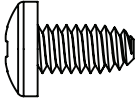
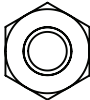

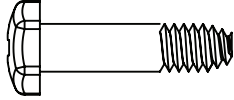
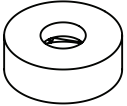
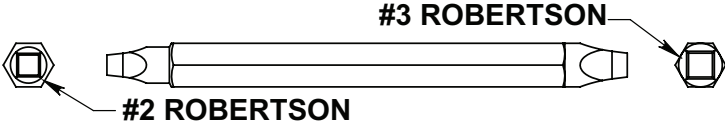
Broil King Imperial™

XLS
9578-43
9578-82
9578-83
9578-86

Onward
MANUFACTURING COMPANY
SINCE 1906
1000 EAST MARKET STREET
HUNTINGTON, INDIANA, 46750, USA

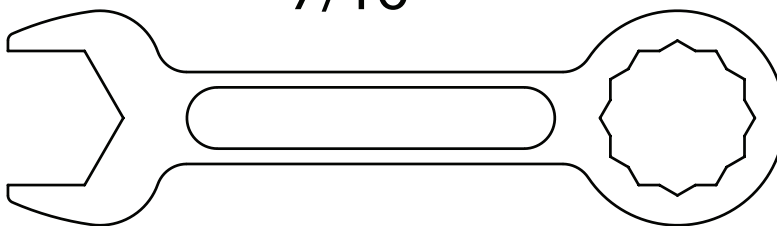
20084-E92EU REV I 01/18

HARDWARE INCLUDED / MATERIAL INCLUS / EQUIPOS INCLUIDO

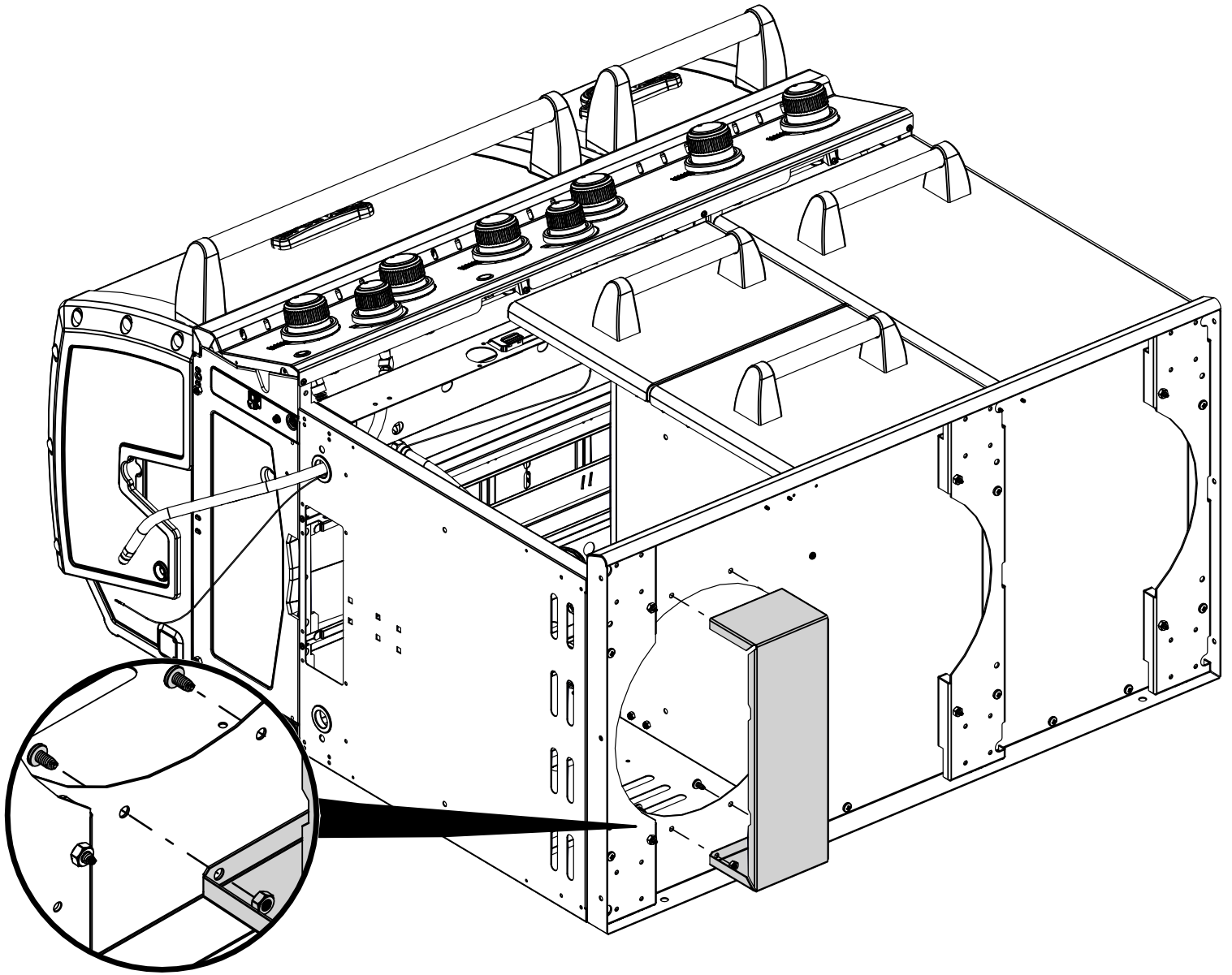
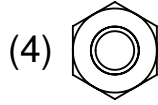
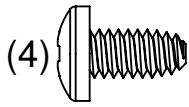
Y-12865		X32	Y-11793		X8
Y-29306		X4	Y-11551		X1
Y-12124		X1	 <p>#3 ROBERTSON</p> <p>#2 ROBERTSON</p>		

TOOLS REQUIRED / OUTILS NECESSAIRES / HERRAMIENTAS NECESARIAS

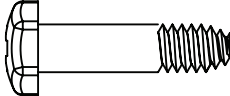

7/16"

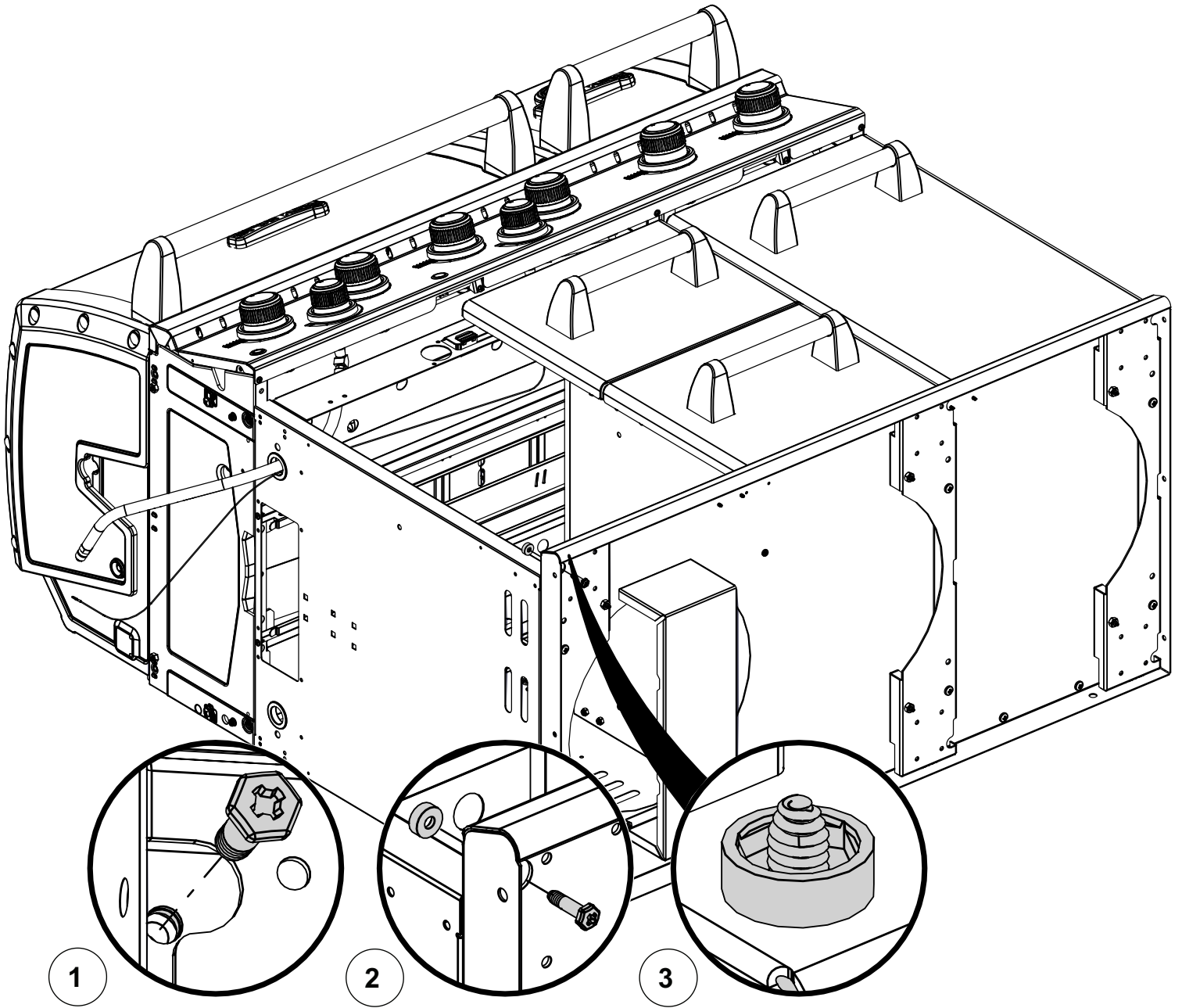


1

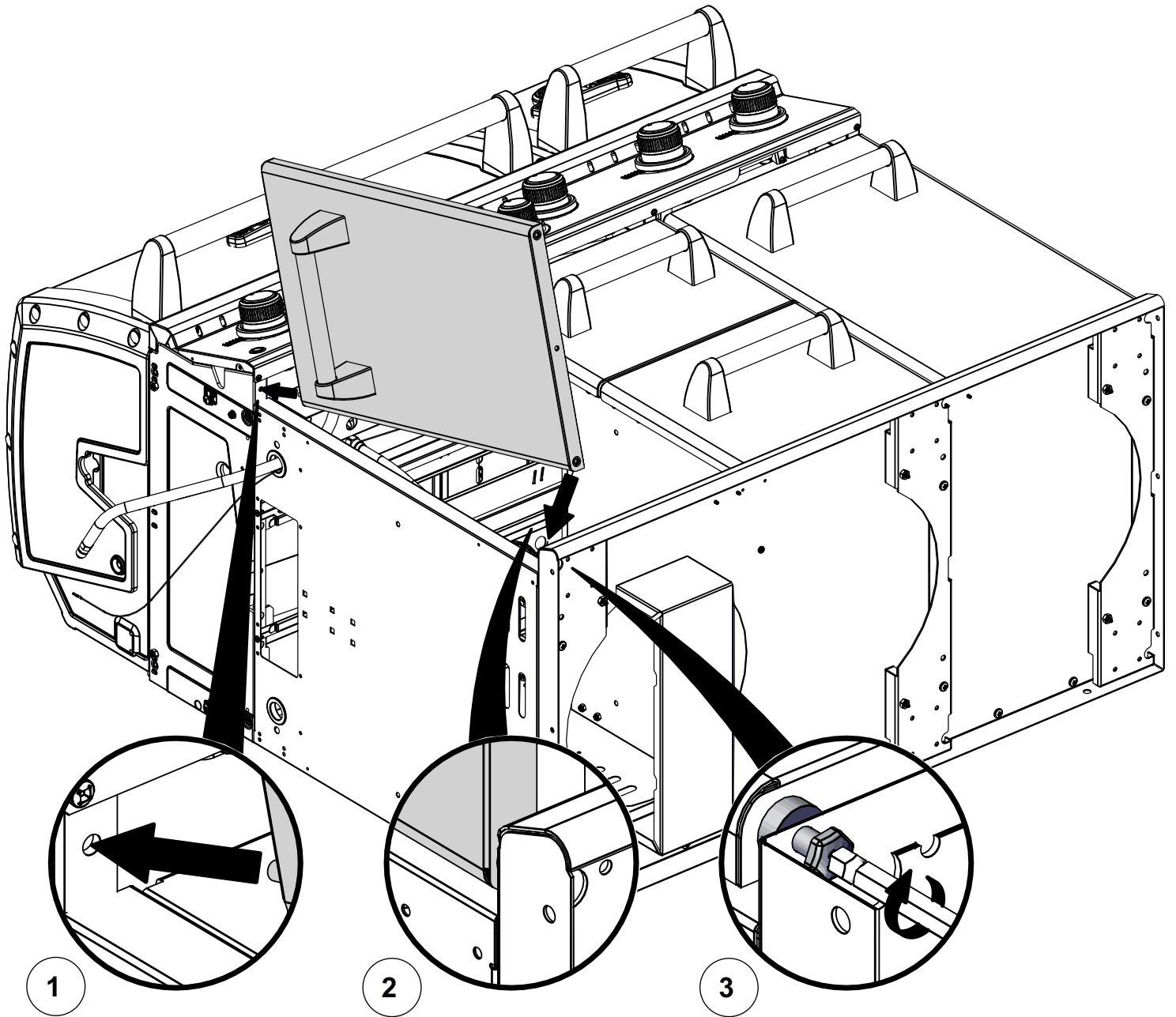


2

(1)  (1) 

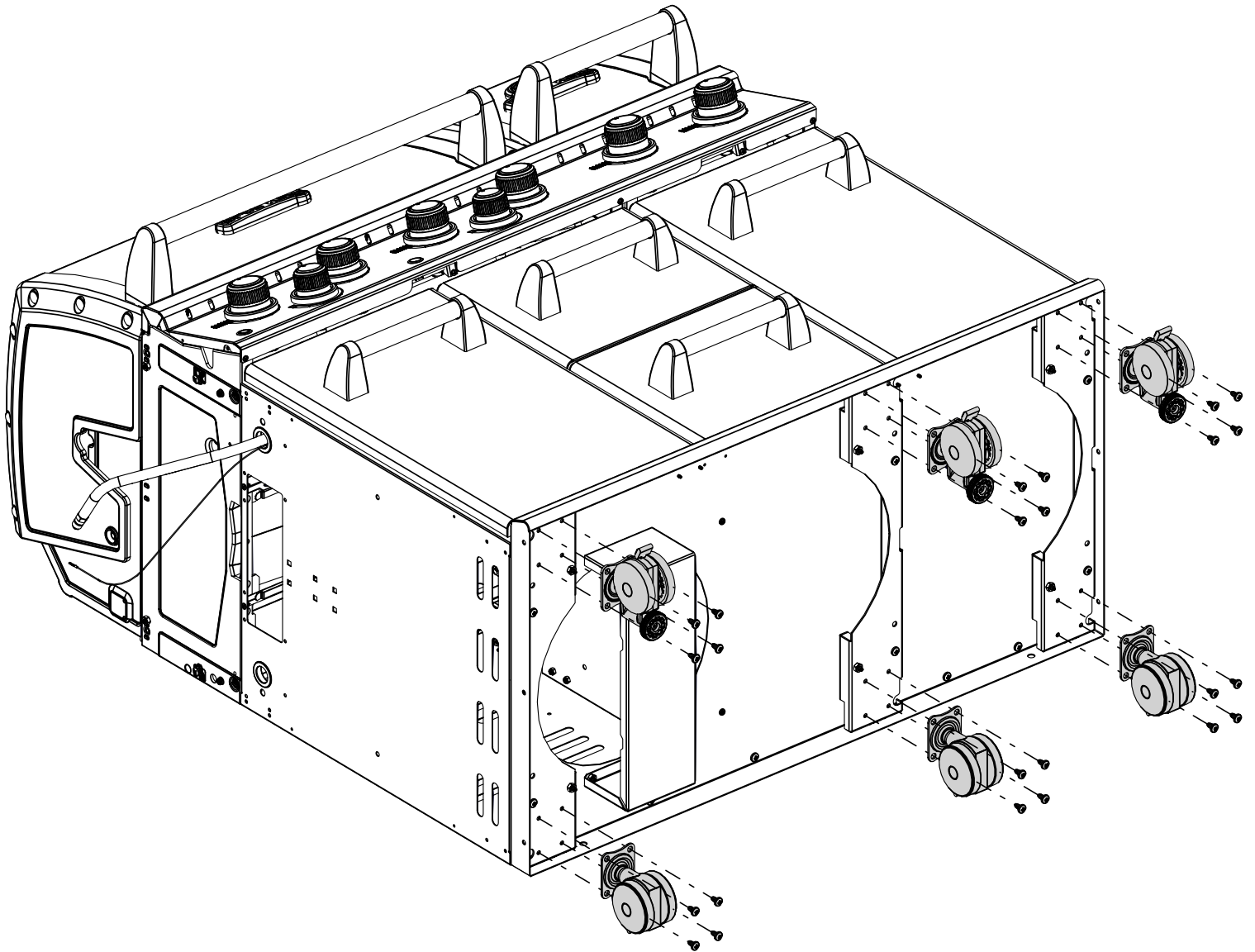
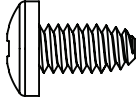


3

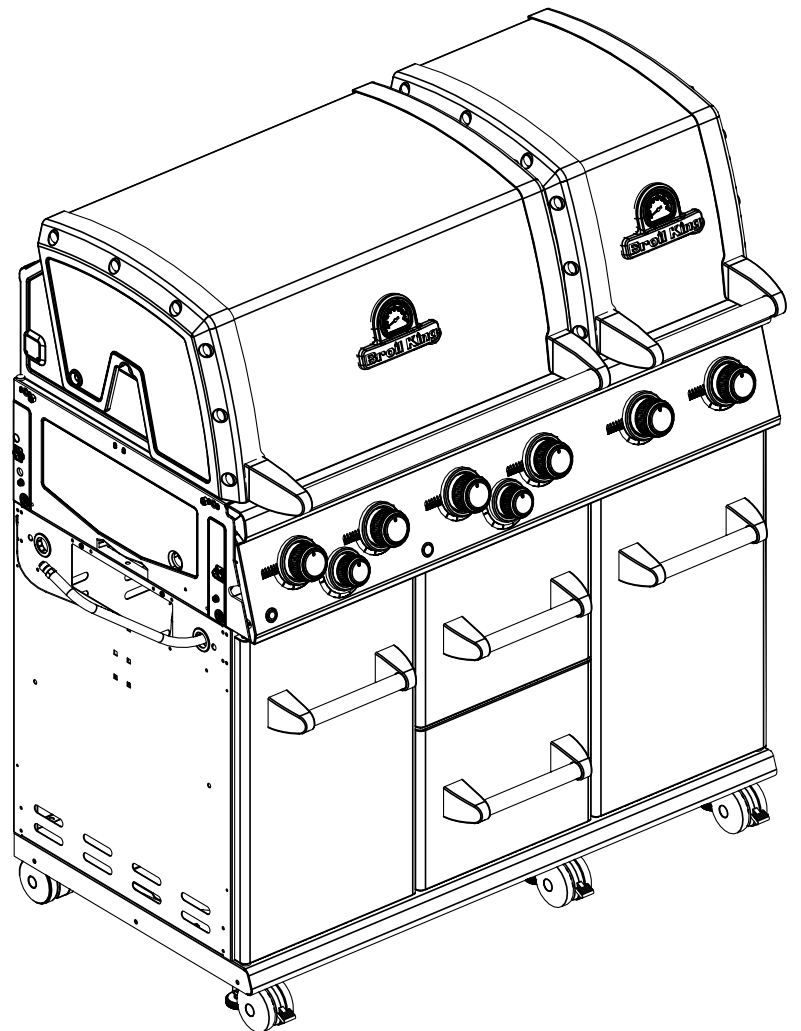
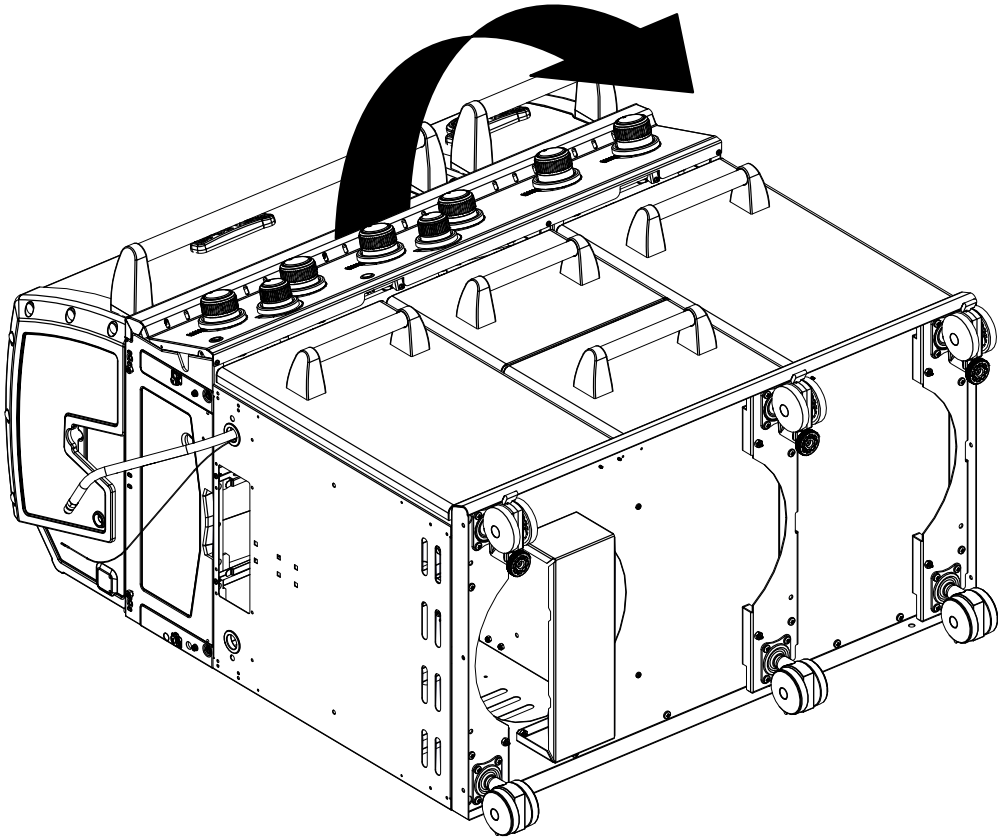


4

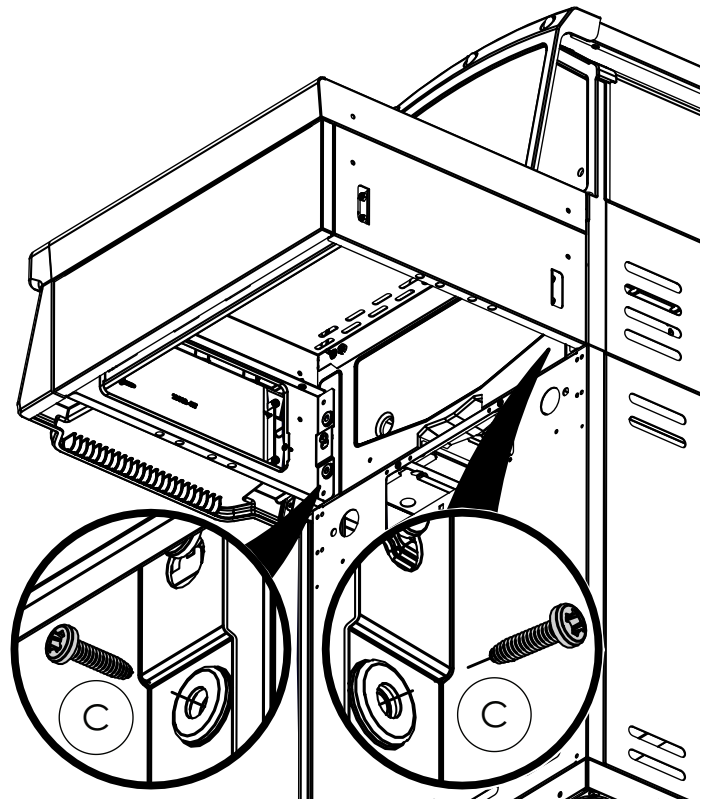
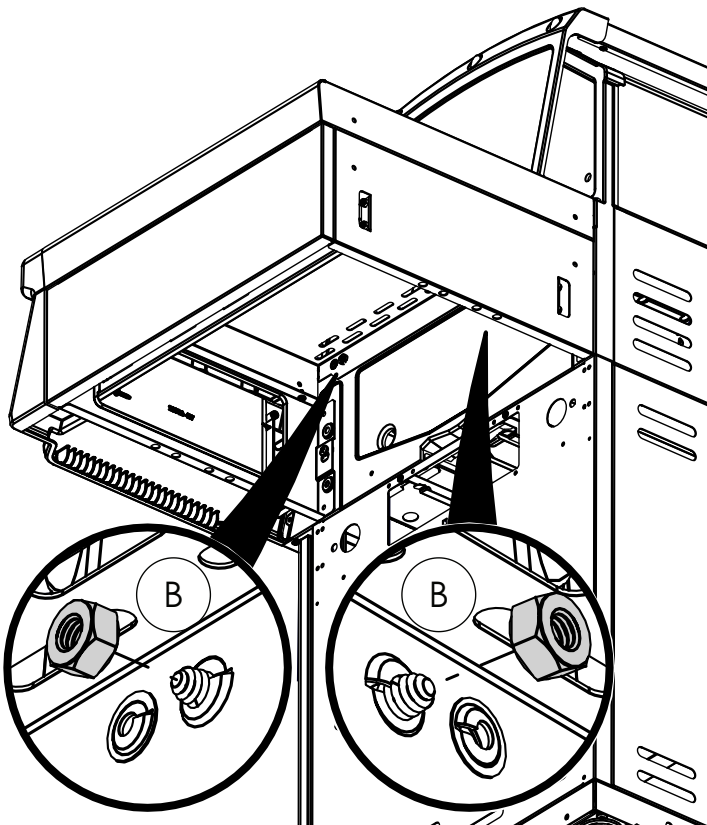
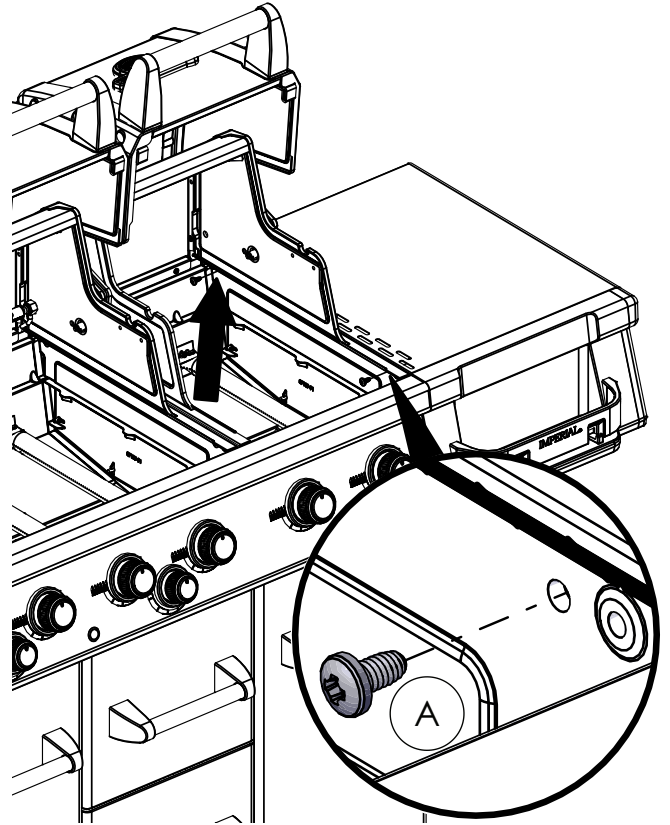
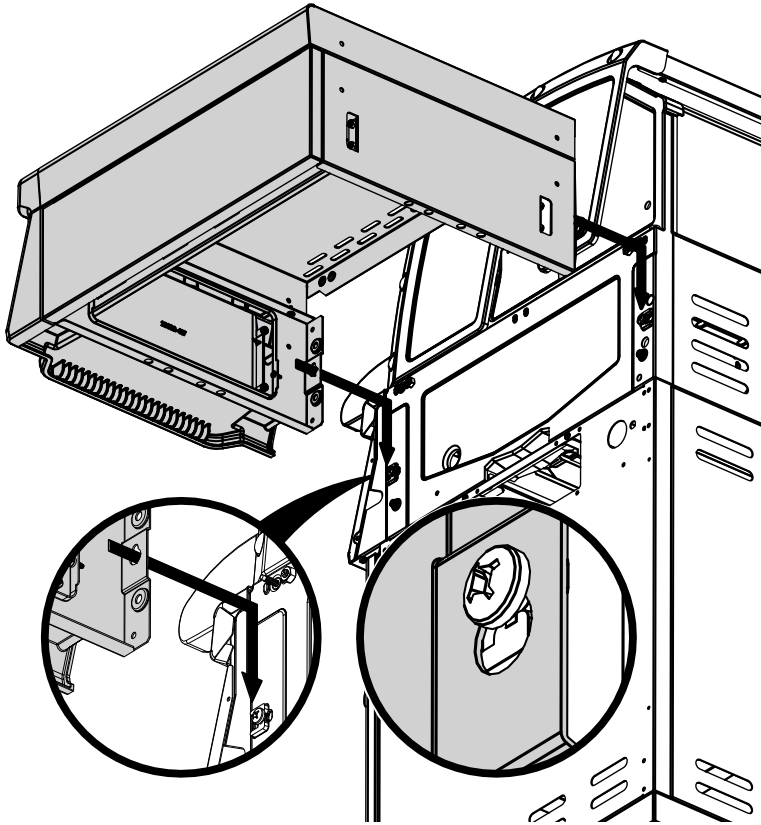
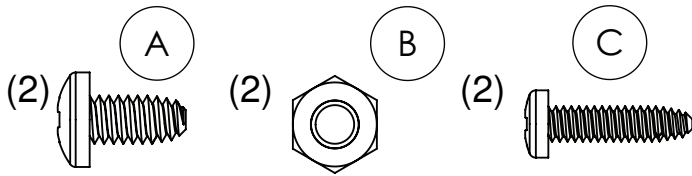
(24)



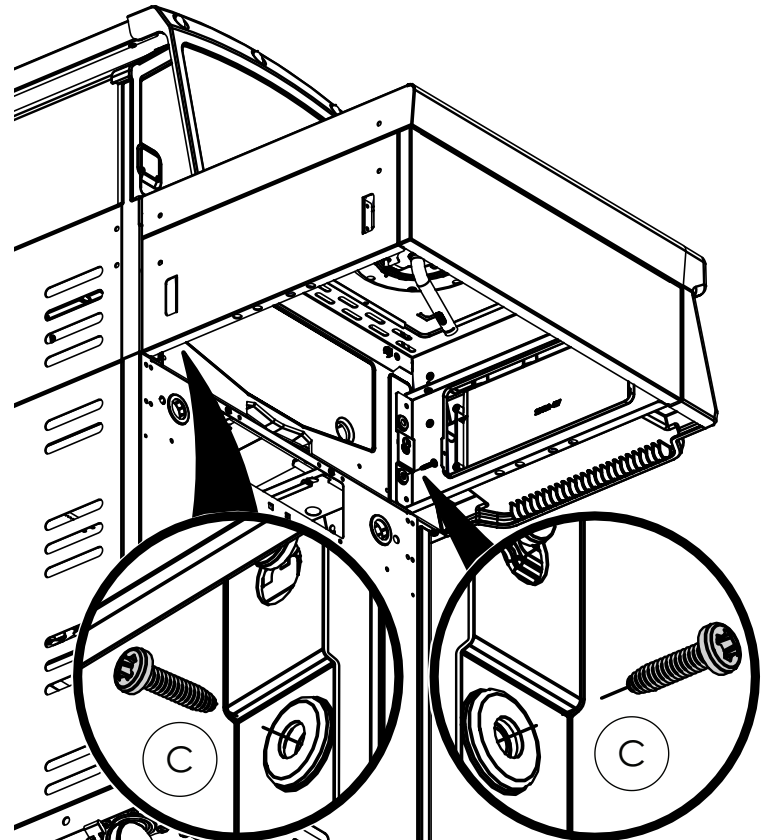
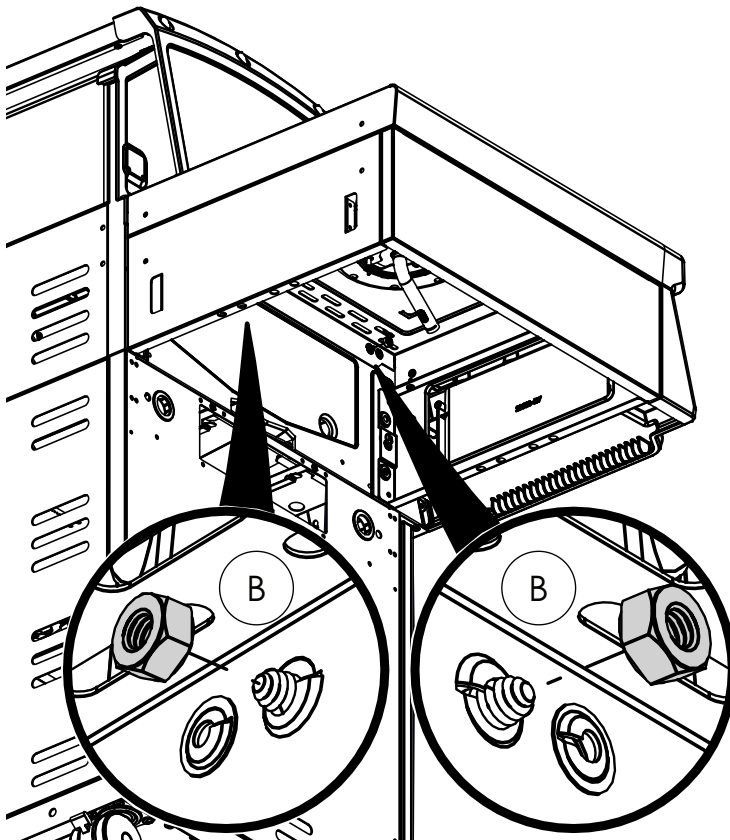
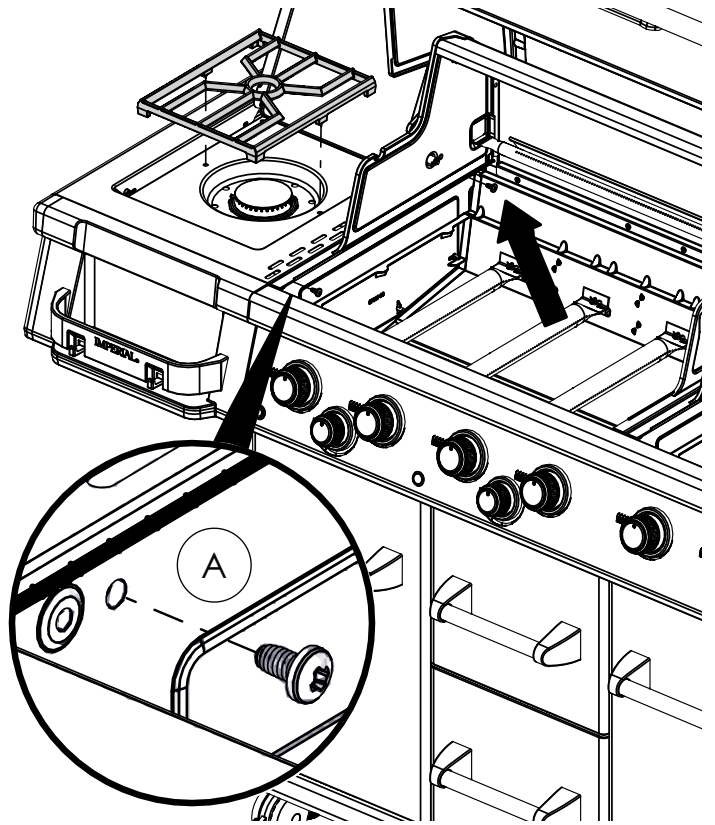
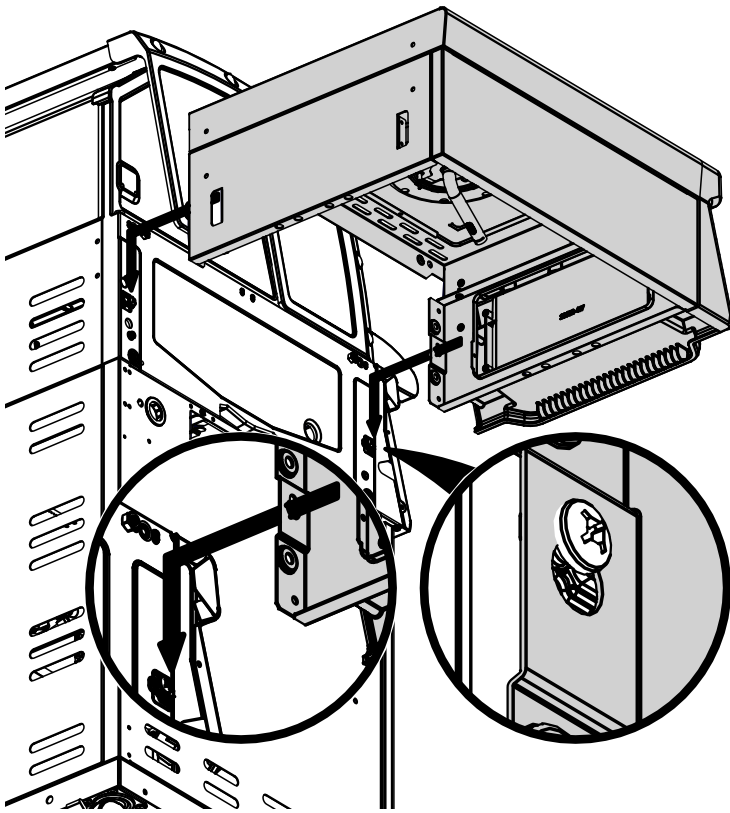
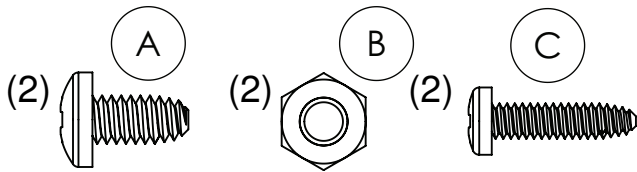
5



6

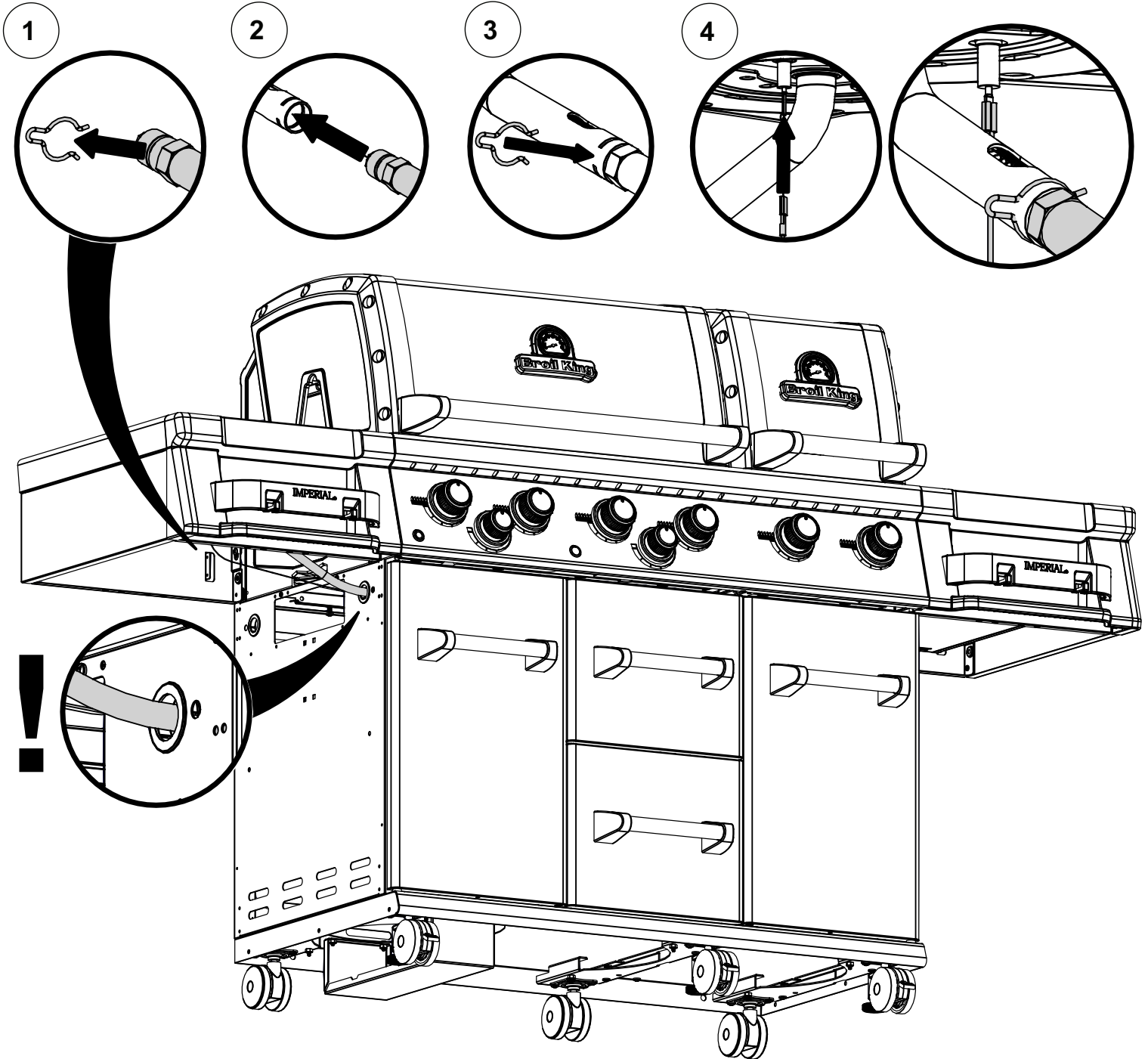
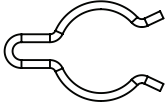


7

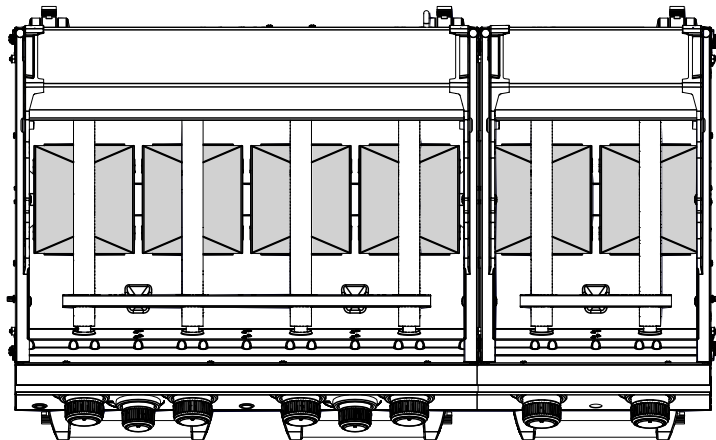
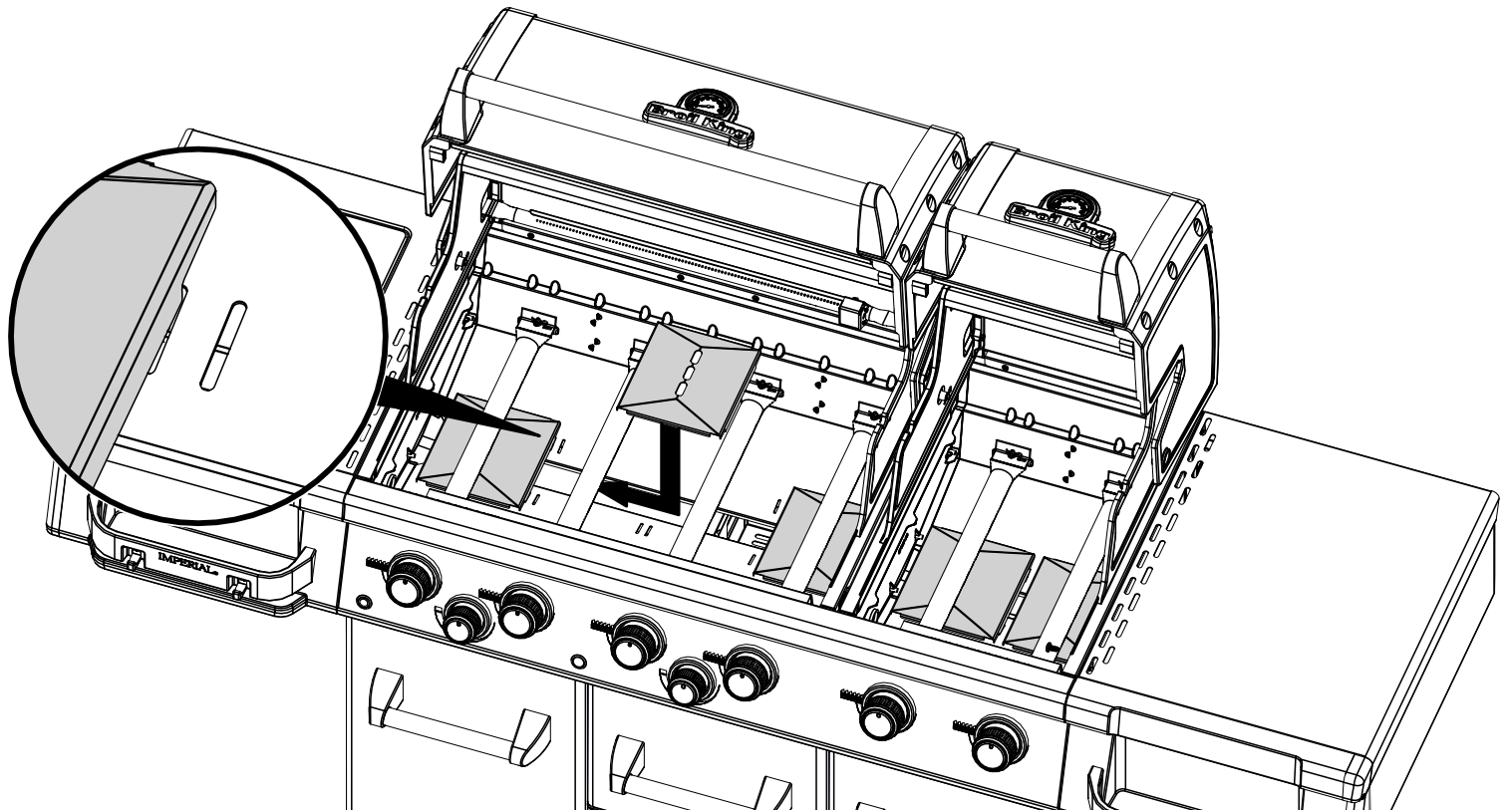
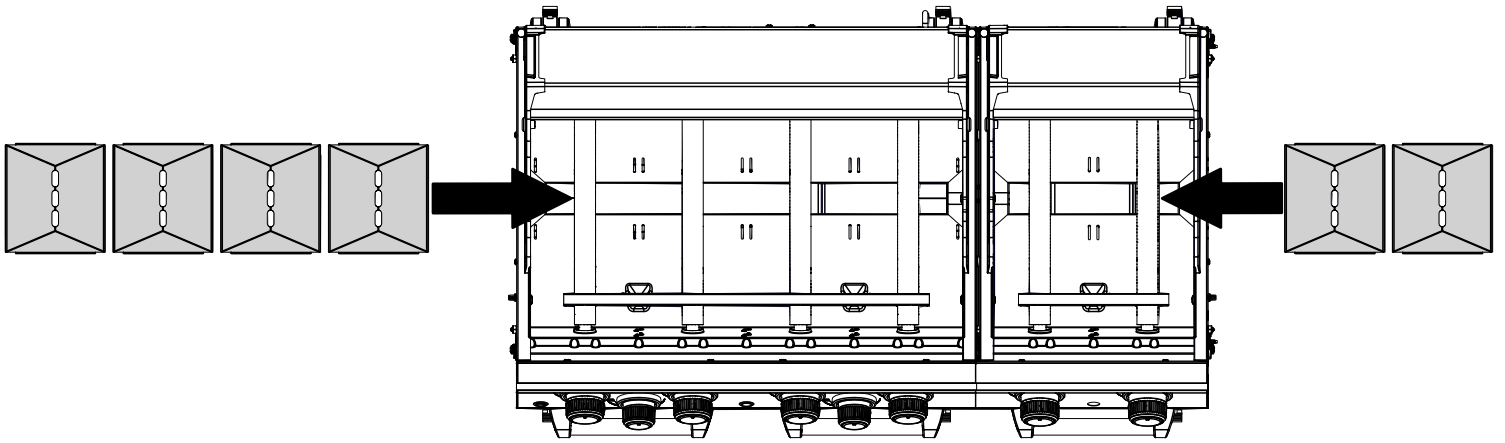


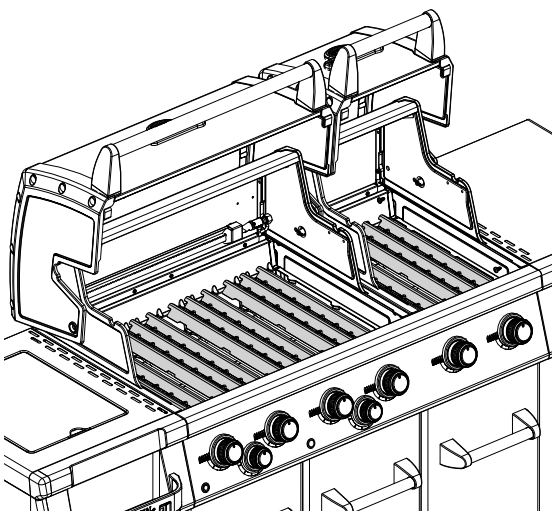
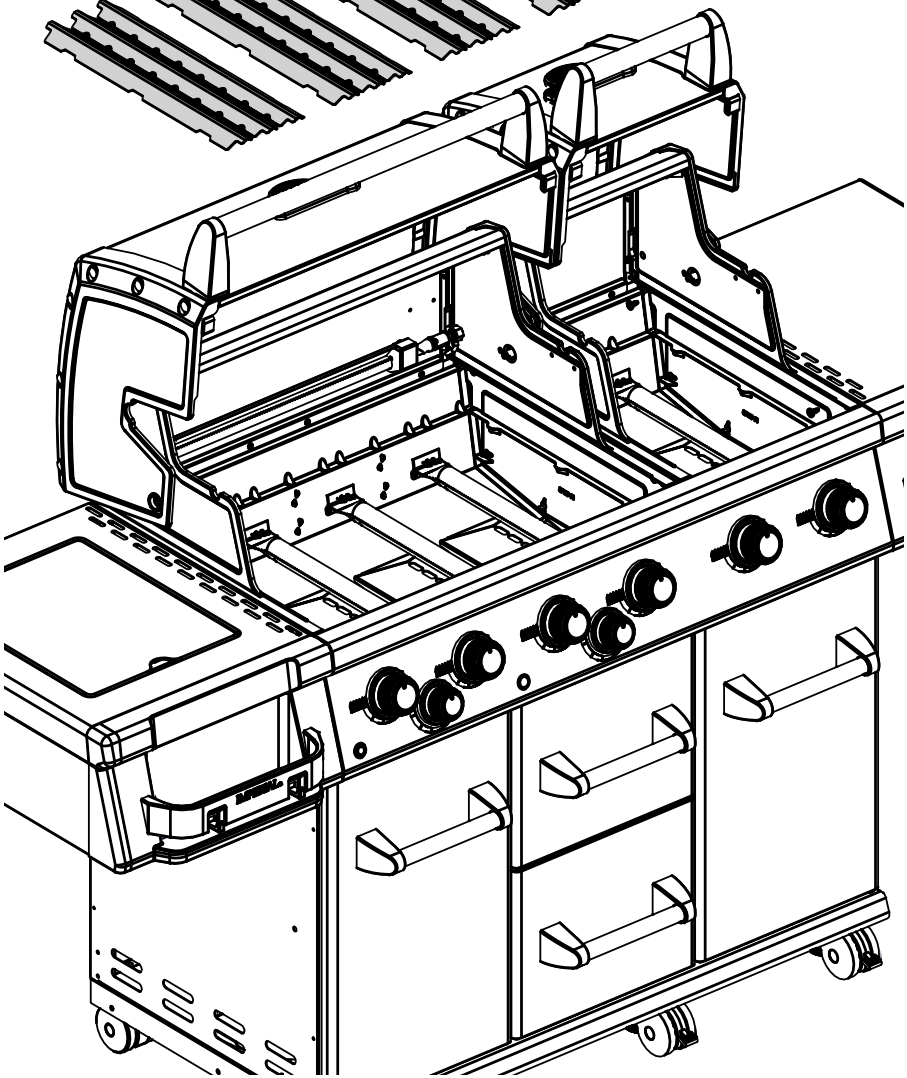
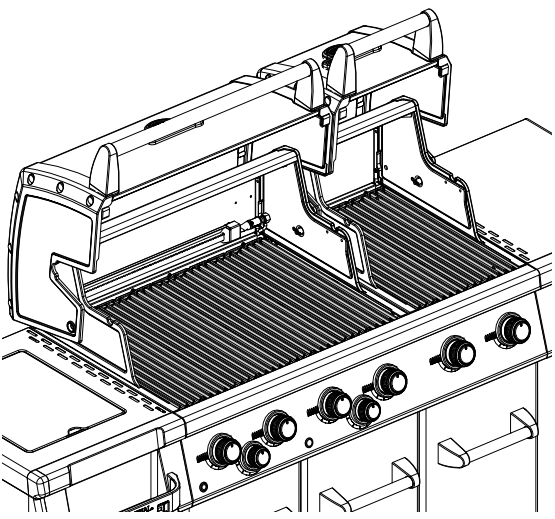
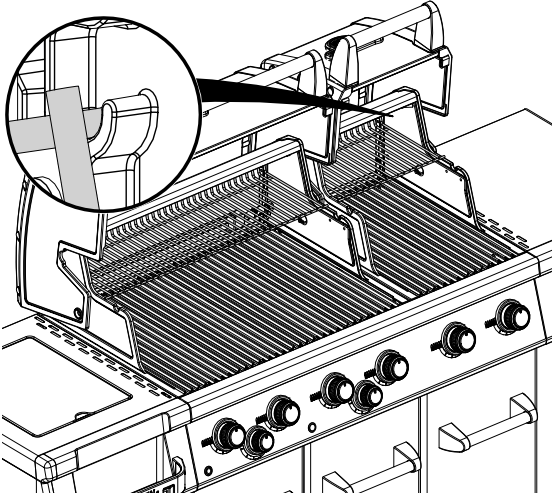
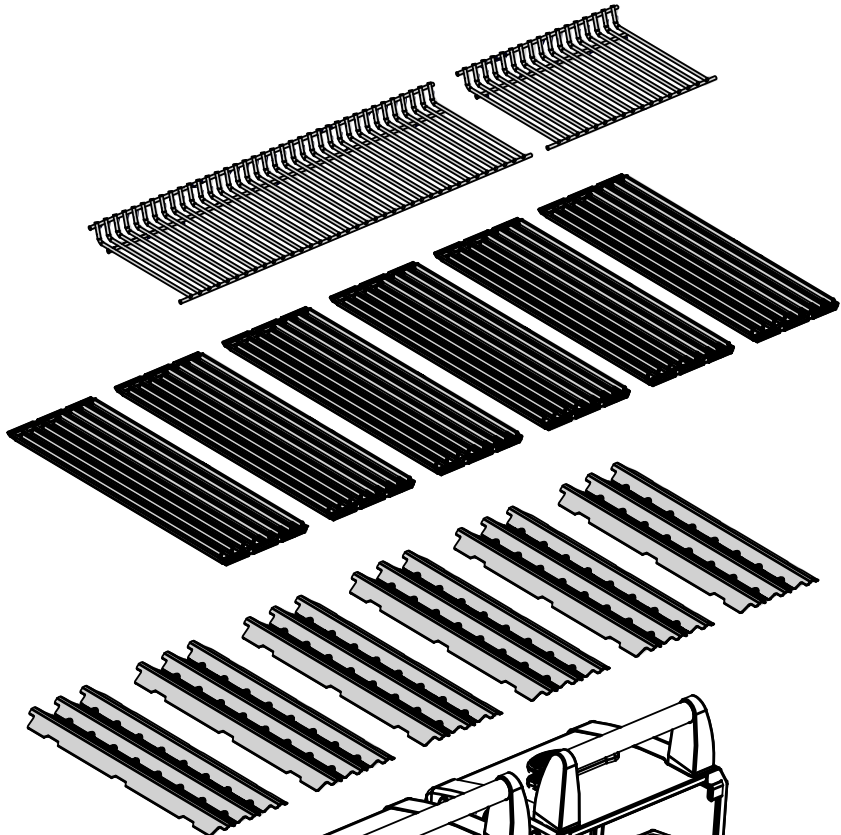
8

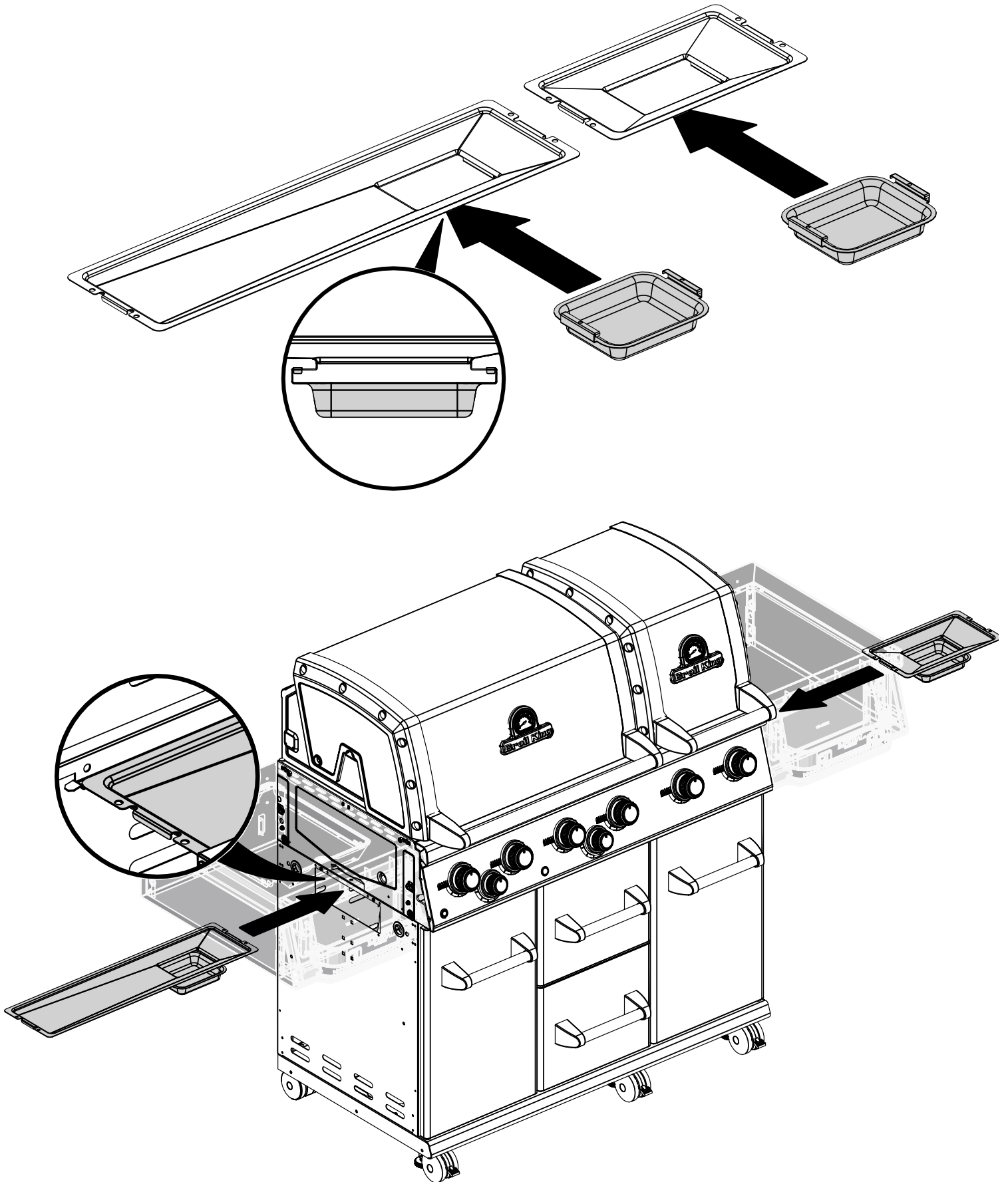
(1)



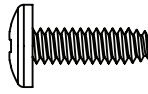
9

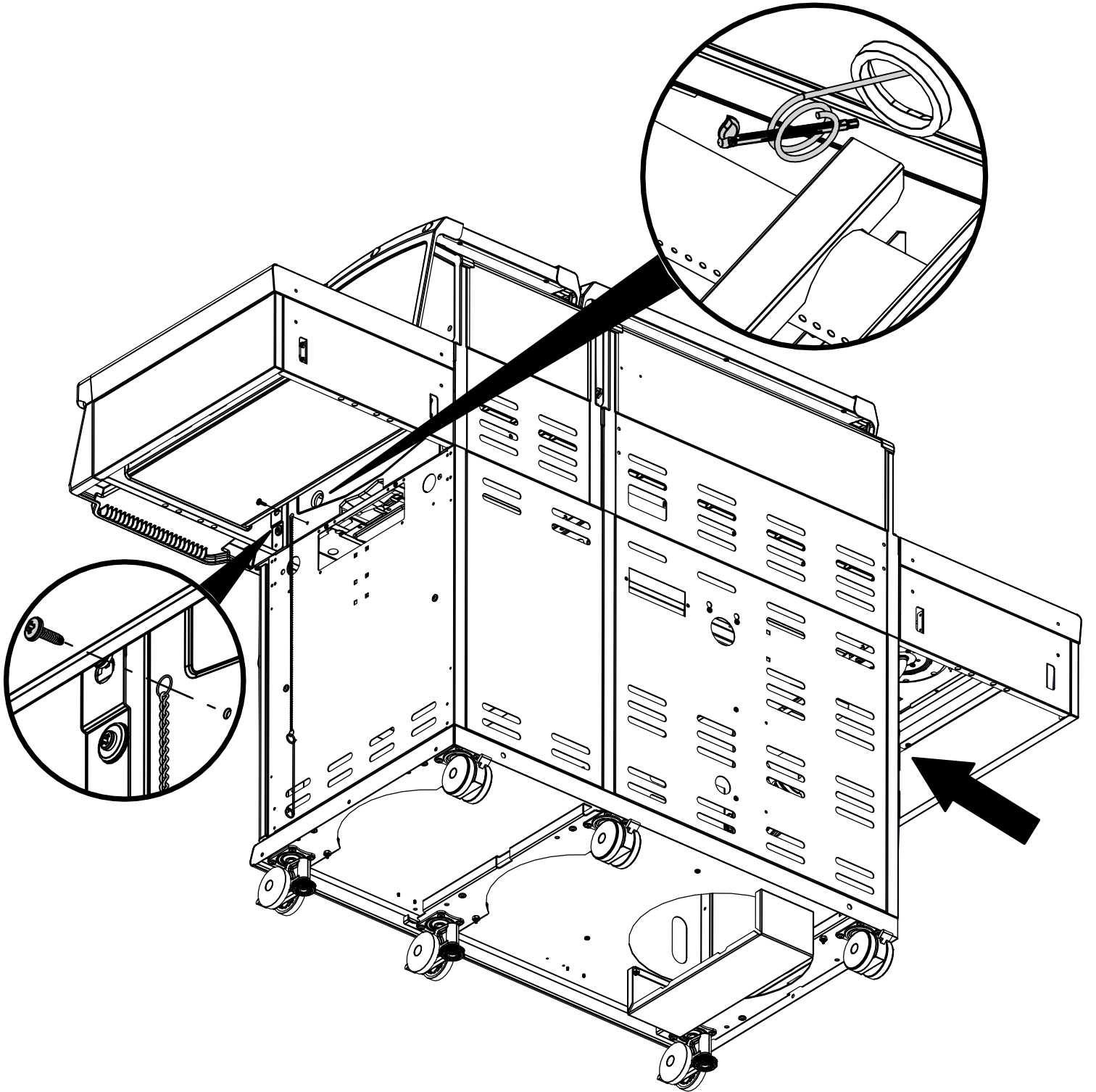




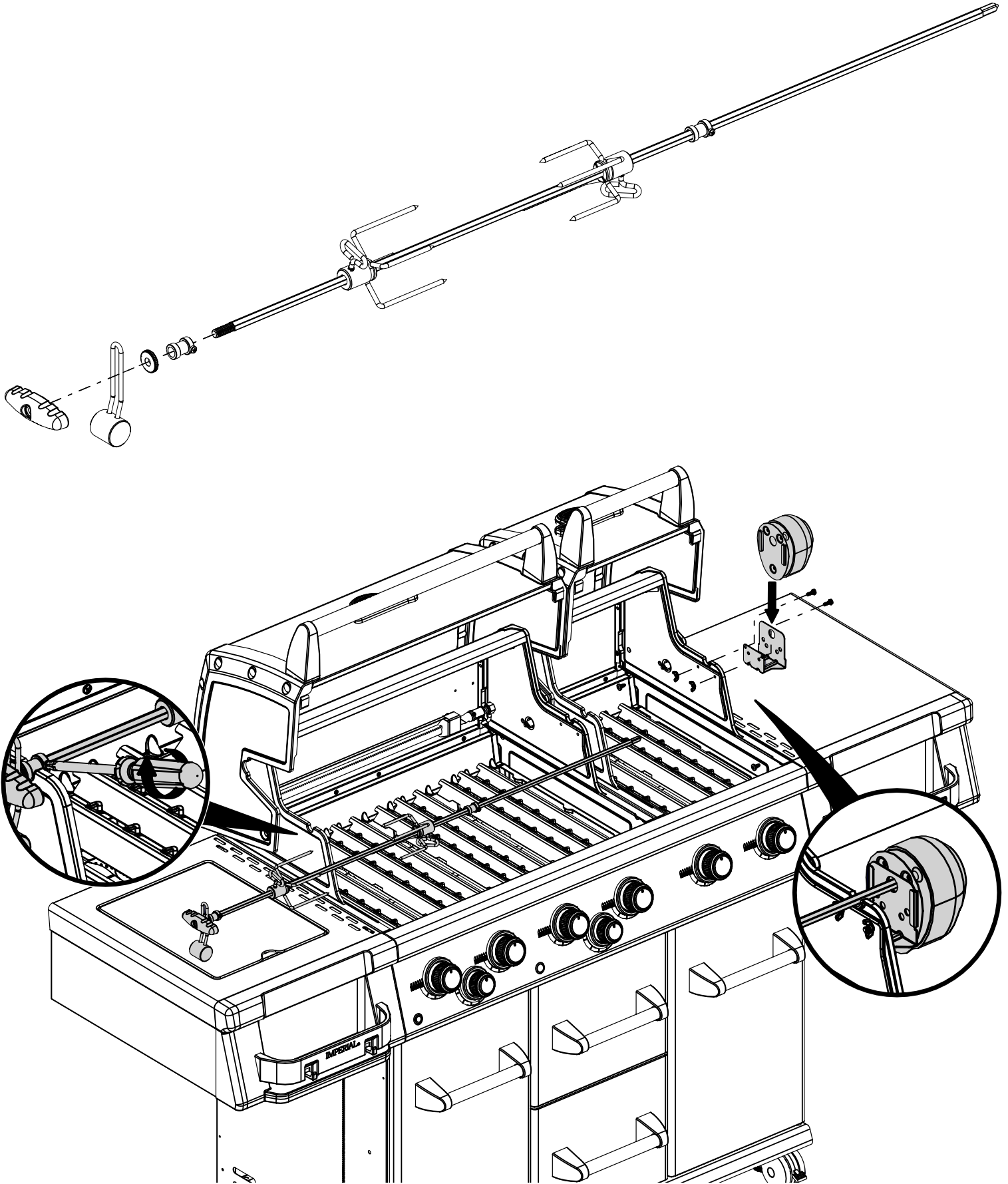
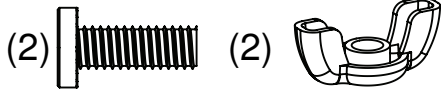


12

(2)  (2)



13



14

(1)



AA

