

Broil King®



9821-83



9821-63



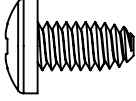
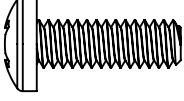

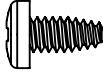
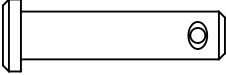
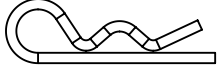
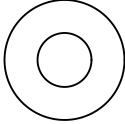
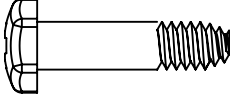
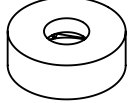
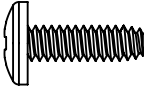
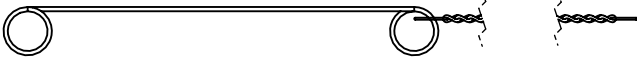
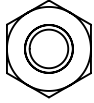
9821-53

Onward
SINCE 1906
MANUFACTURING COMPANY
585 KUMPF DRIVE LIMITED
WATERLOO, ONTARIO, CANADA



POËJÖY OEÜÖÄP ÔŠWÖÖÖ



YËGÎÍ  $\varnothing F$	YËGF€  $\varnothing \acute{A}$	ÜGFFG  $\varnothing i$
YËJHË  $\varnothing G$	ÜFGHÍ  $\varnothing G$	ÜFGHH  $\varnothing G$
YËGÍÍ  $\varnothing l$	YËFÍÍ F  $\varnothing G$	YËFGG  $\varnothing G$
ÜHÍ €J  $\varnothing F$	G€€€Í €€€€  $\varnothing F$	
YËFÍ JH  $\varnothing l$		

ÜHÍ €Í  $\varnothing G$	ÜGF€Í F  $\varnothing G$
--	---

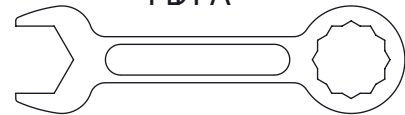
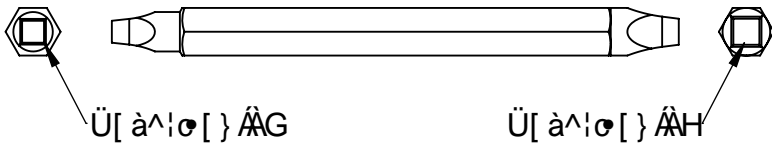


VUUŠÜÄJÖÜWÖJÖÖÁ

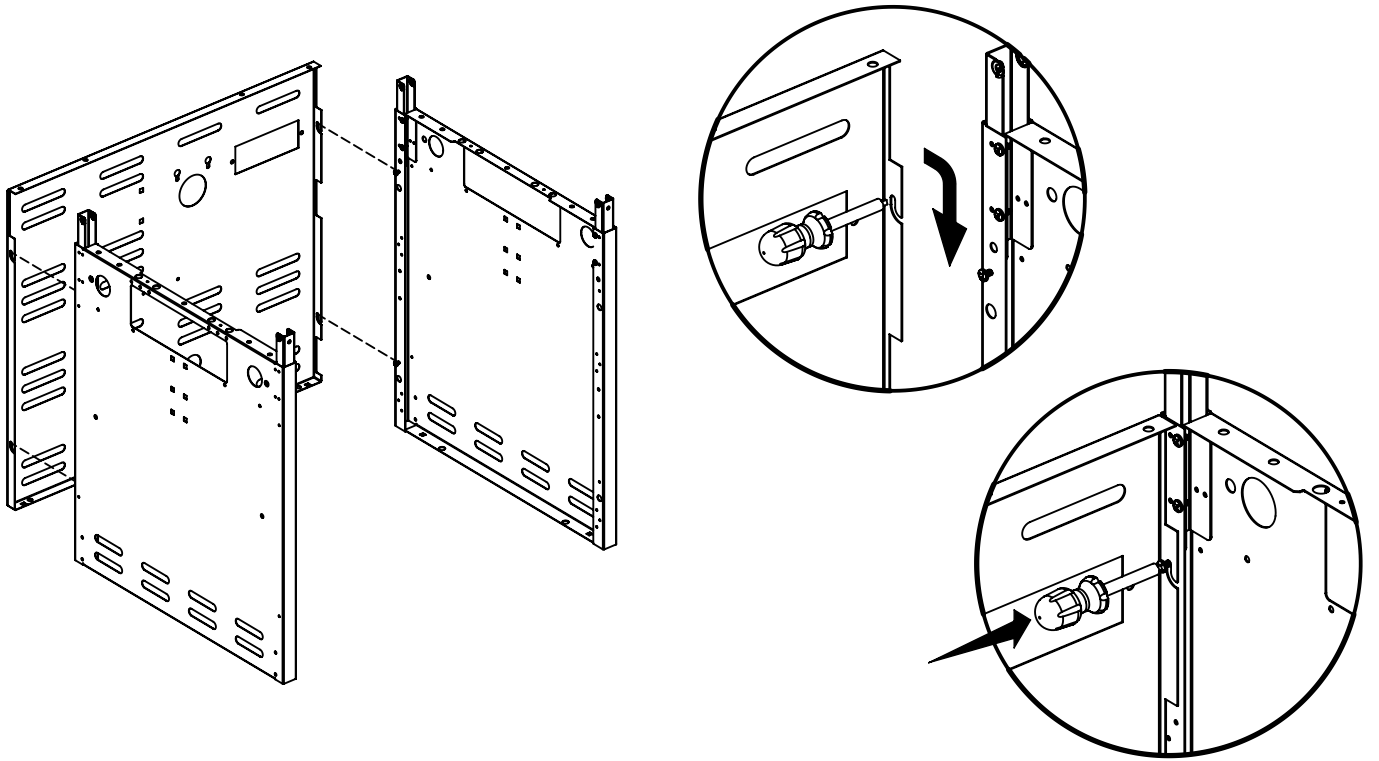


YËFGGH

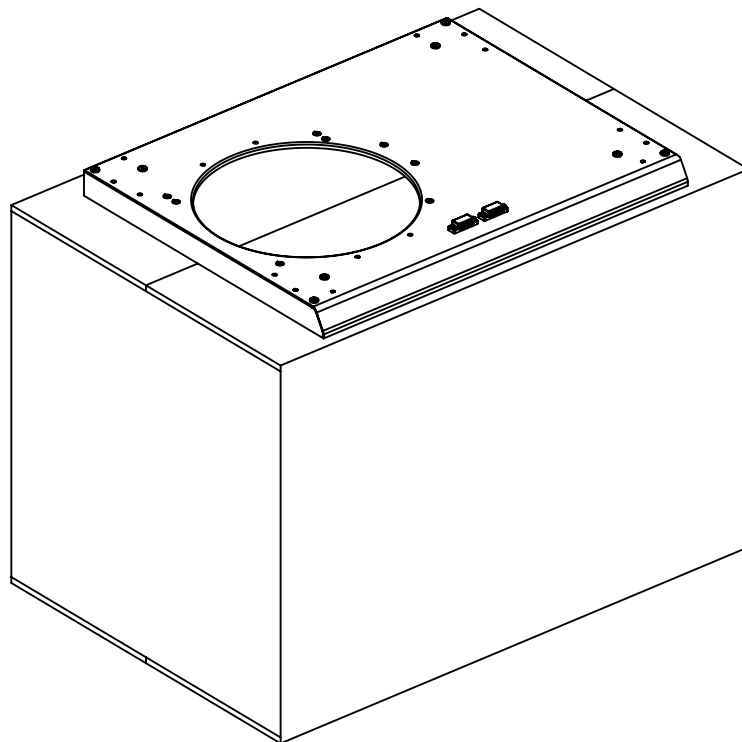
Ï ÆÍ Ä

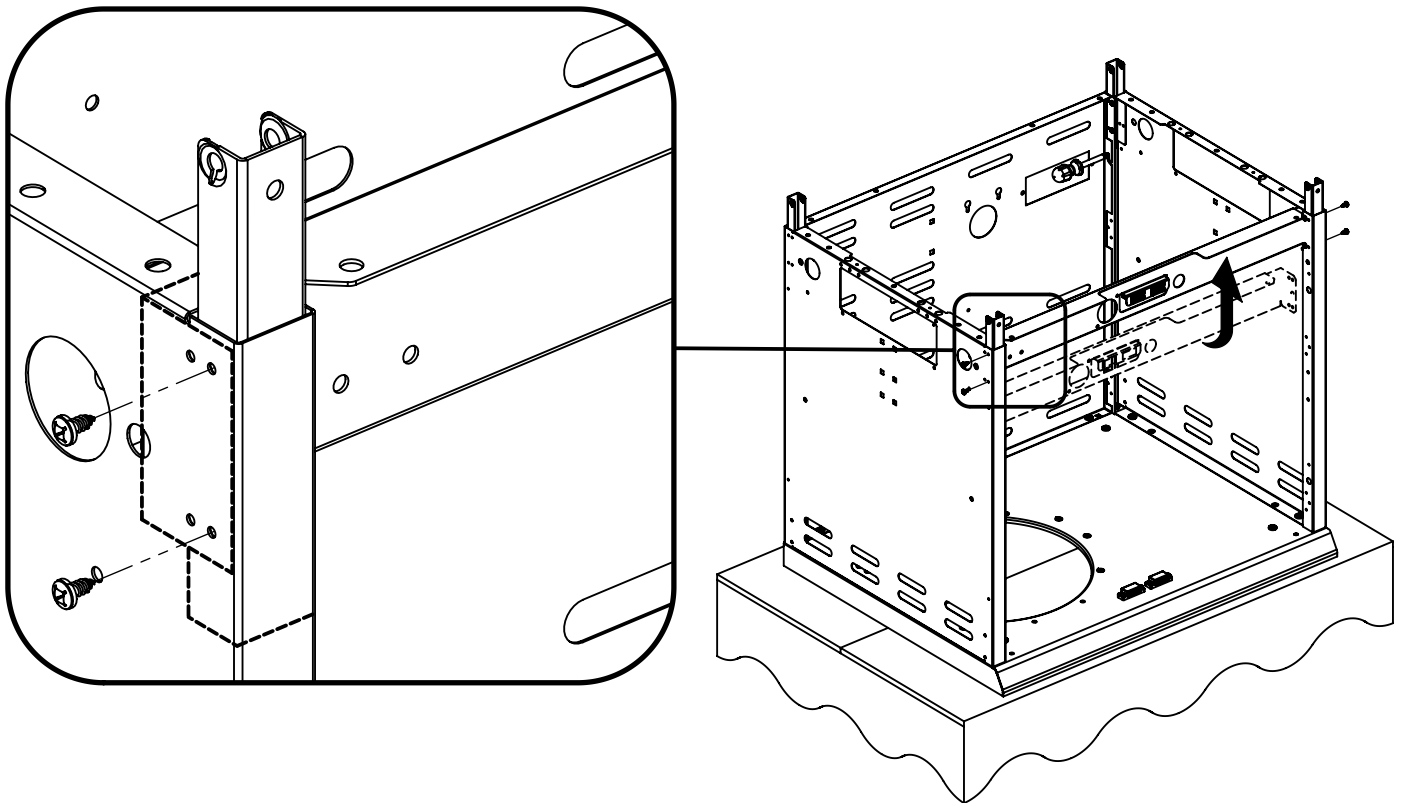
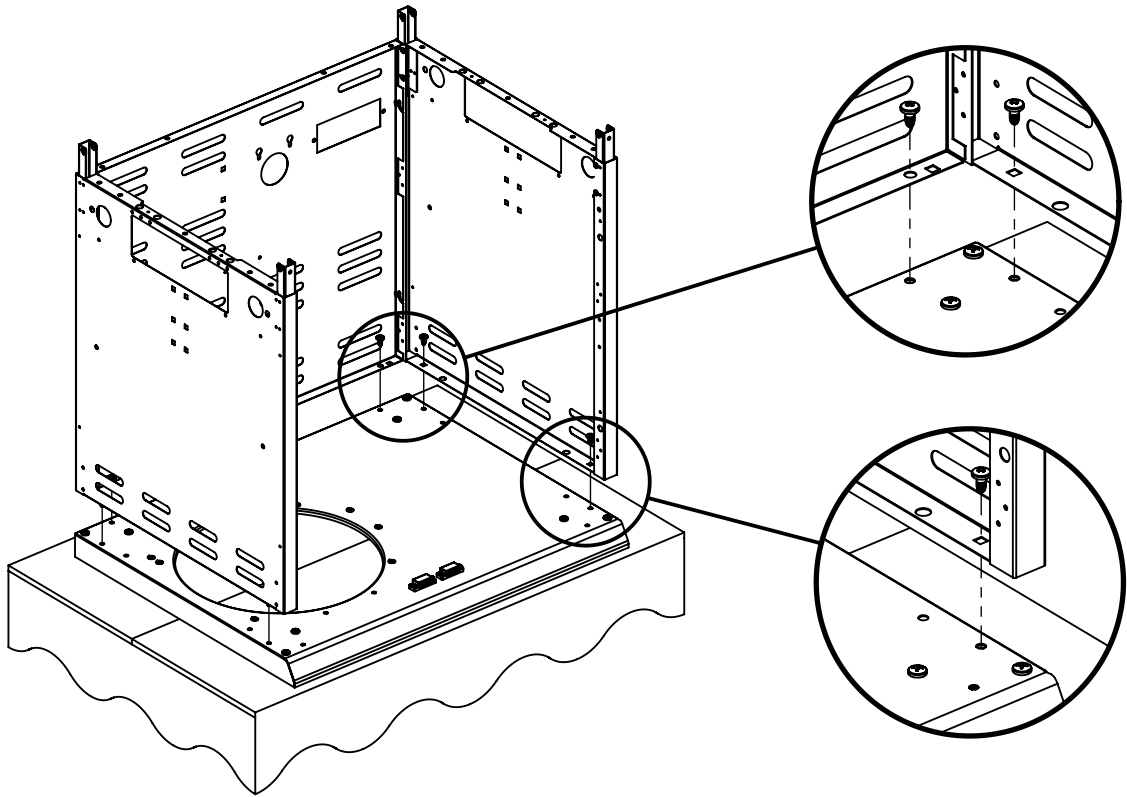
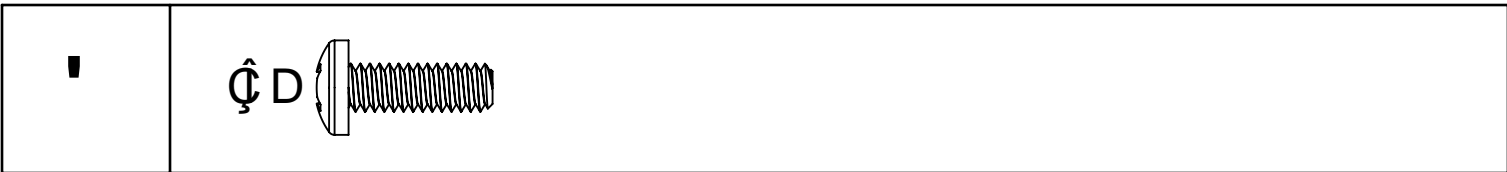


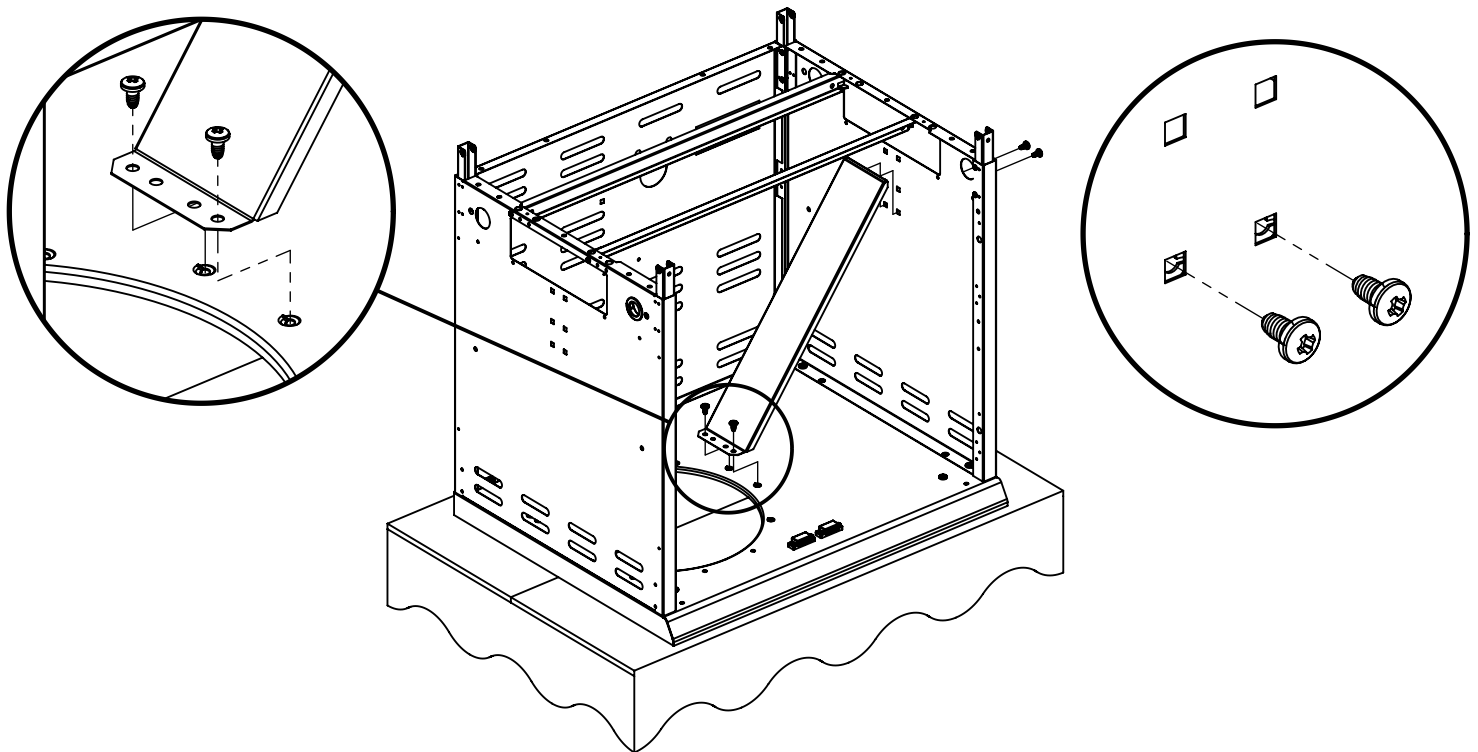
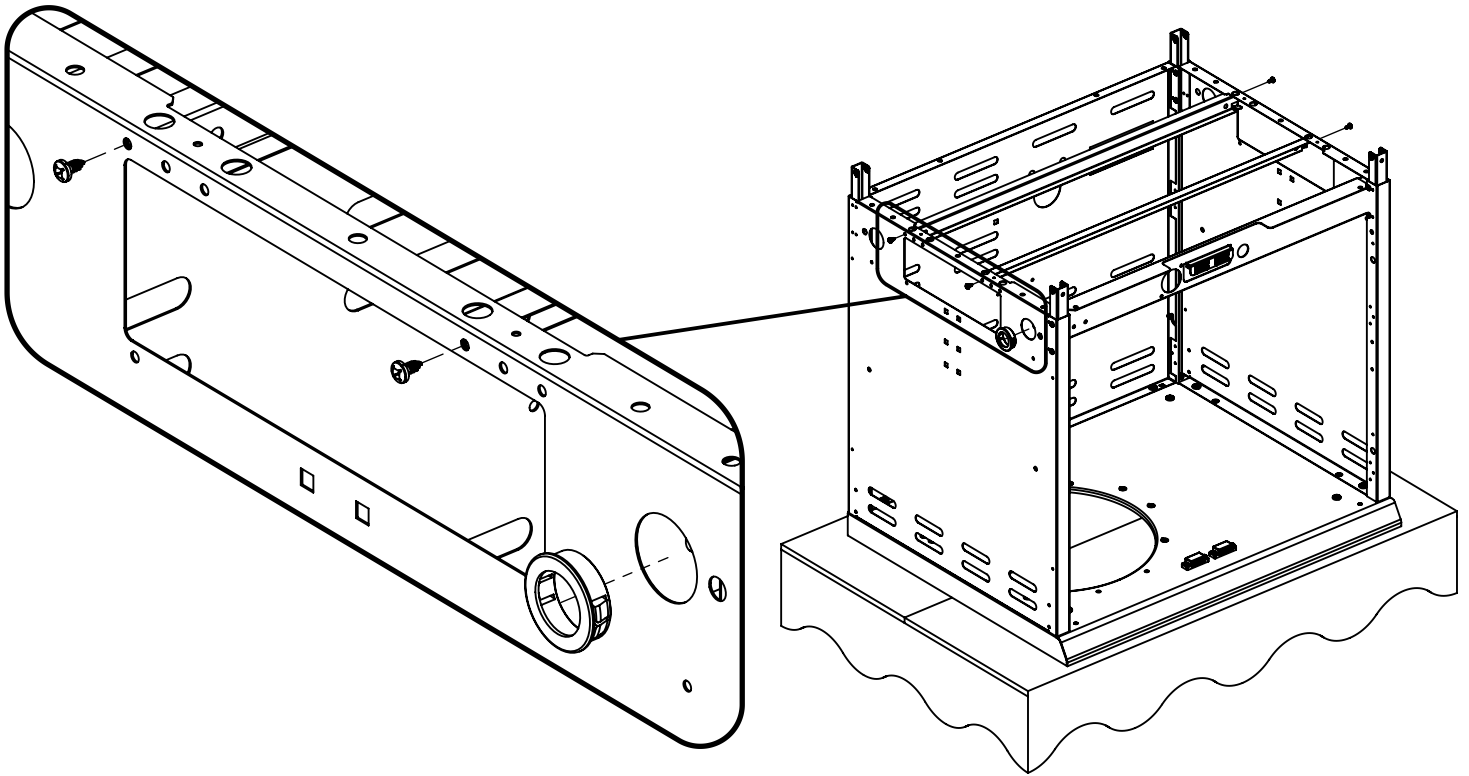
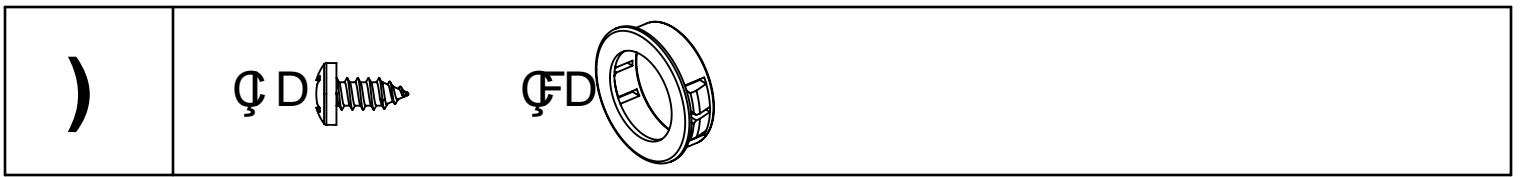
%



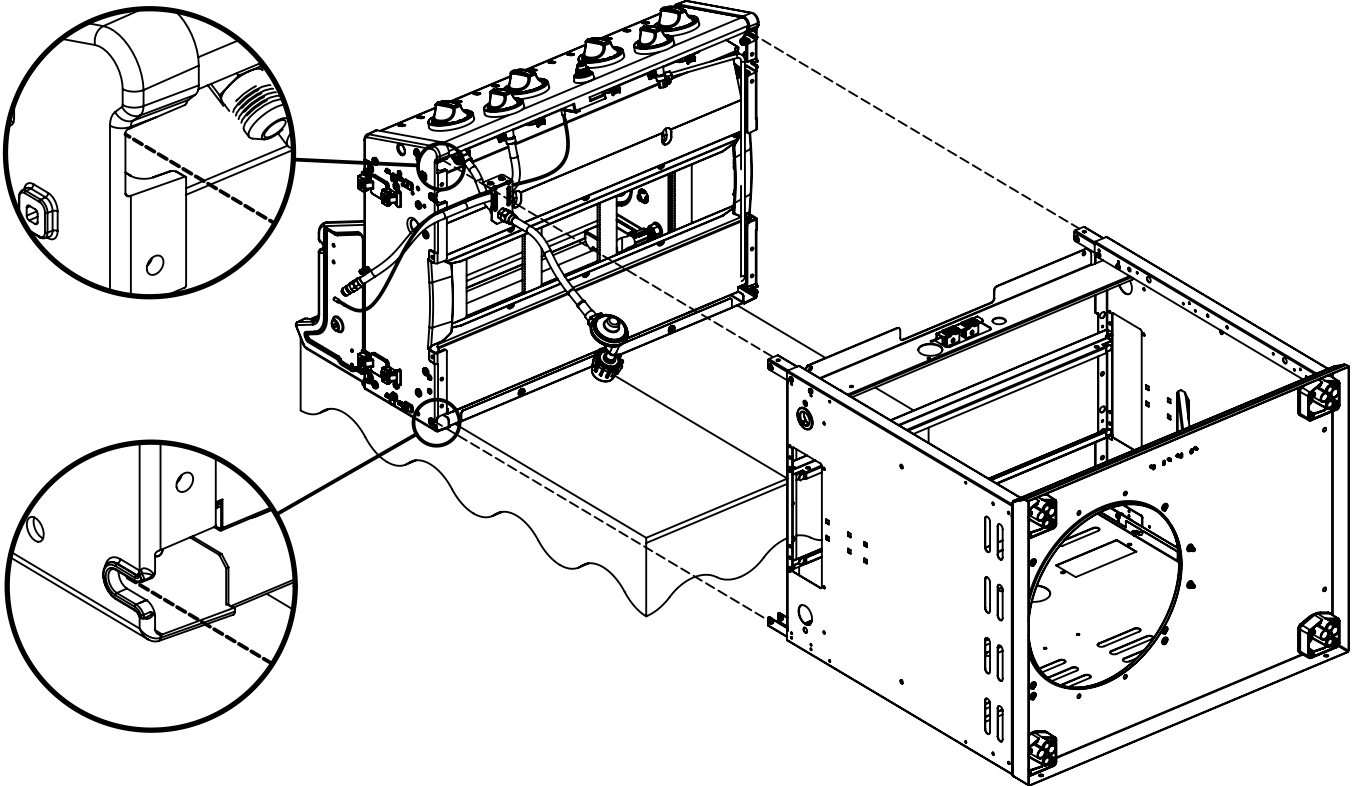
&



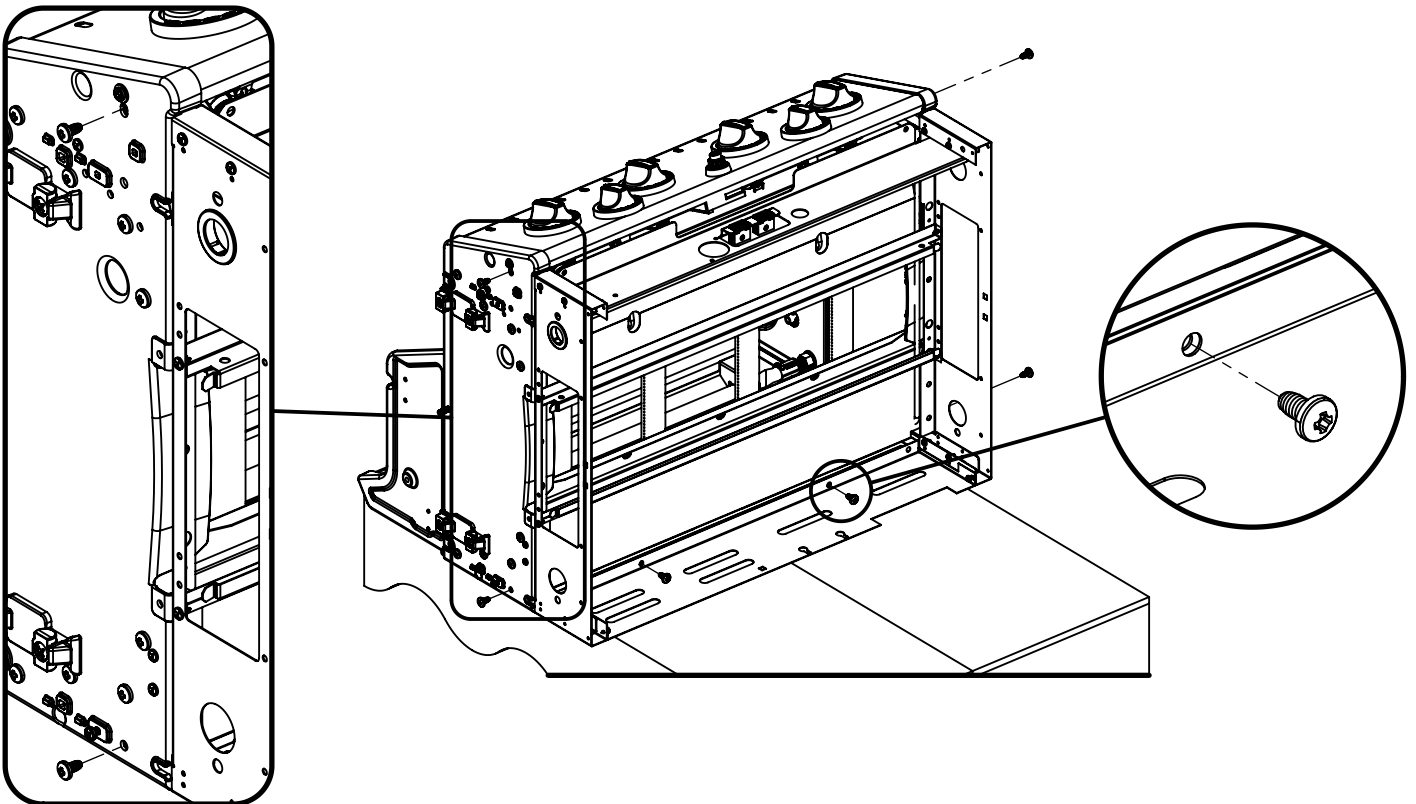


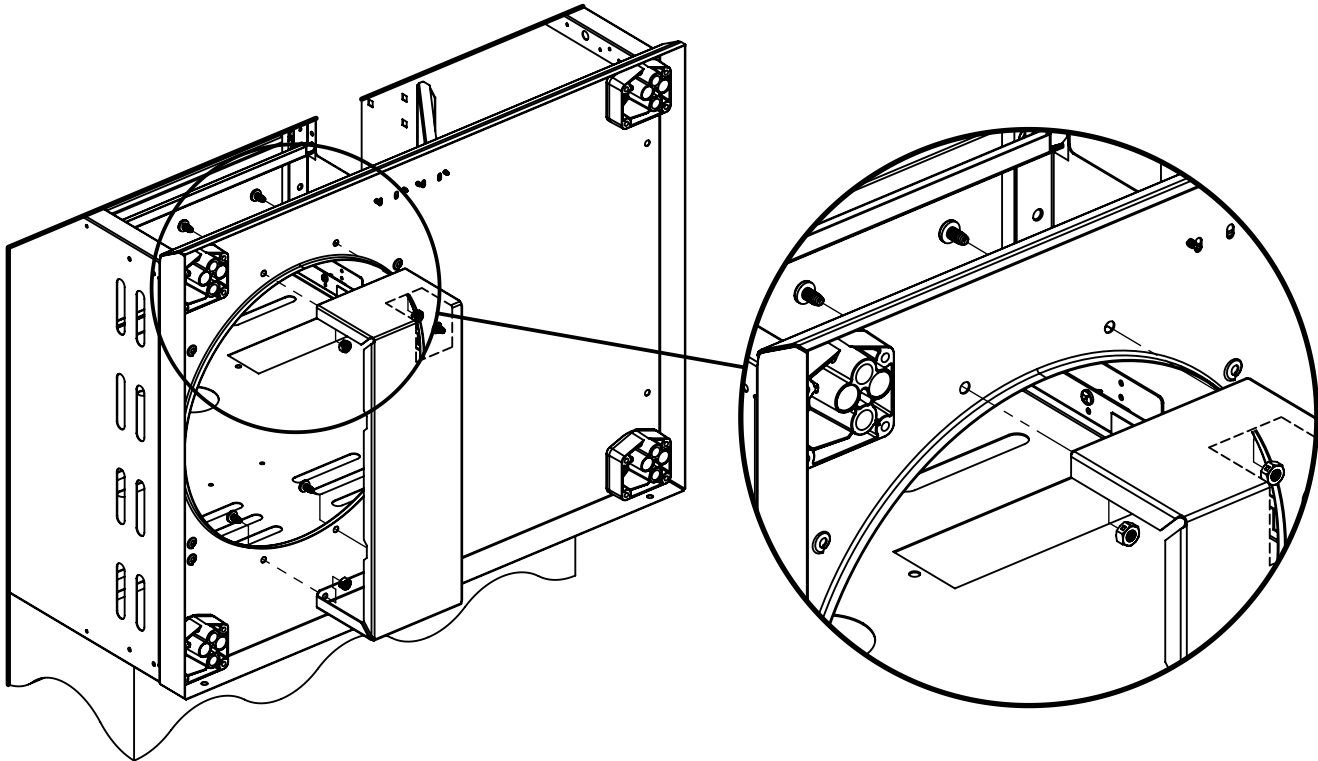
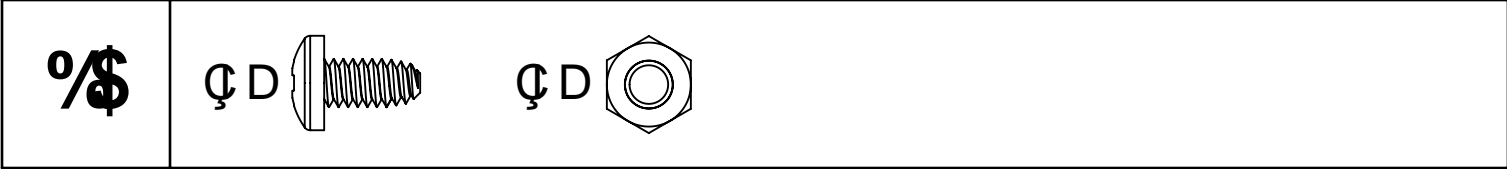
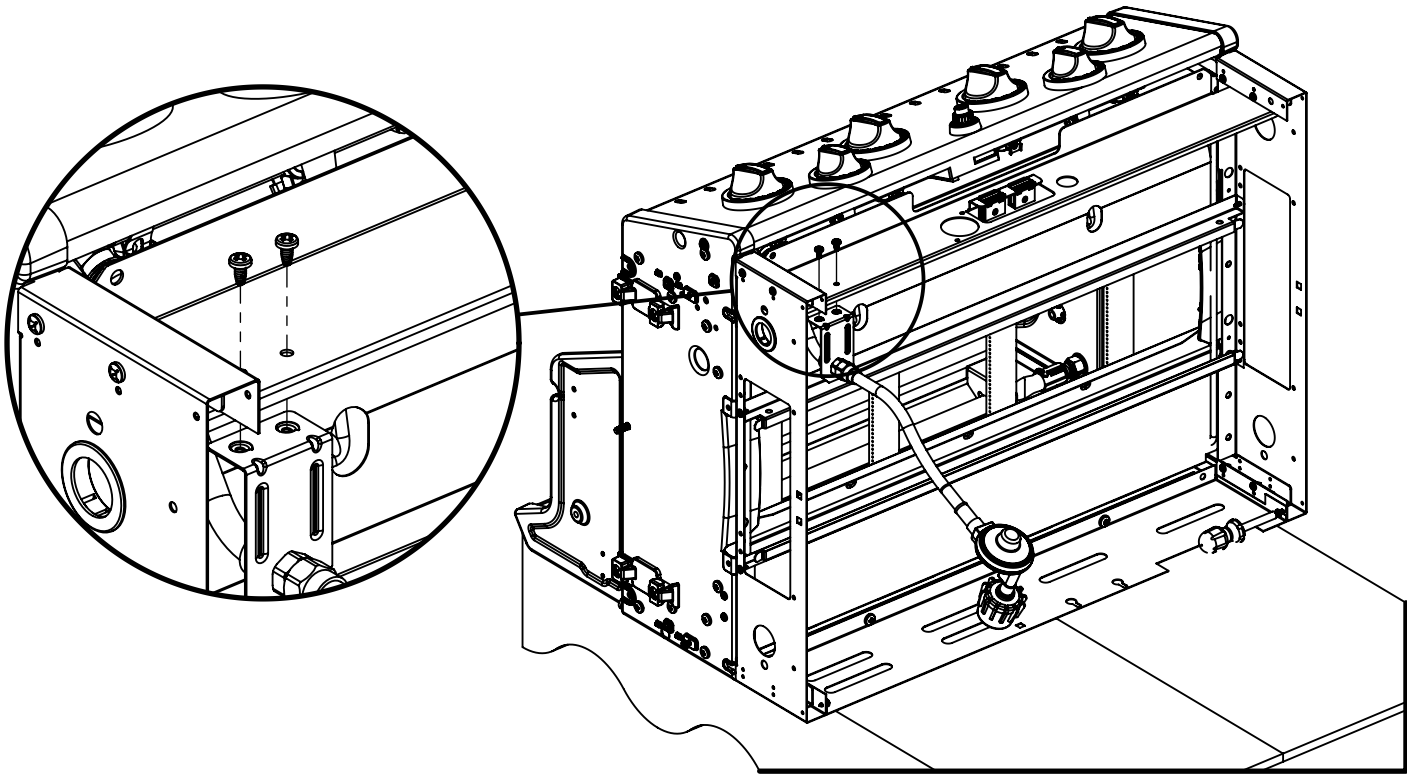
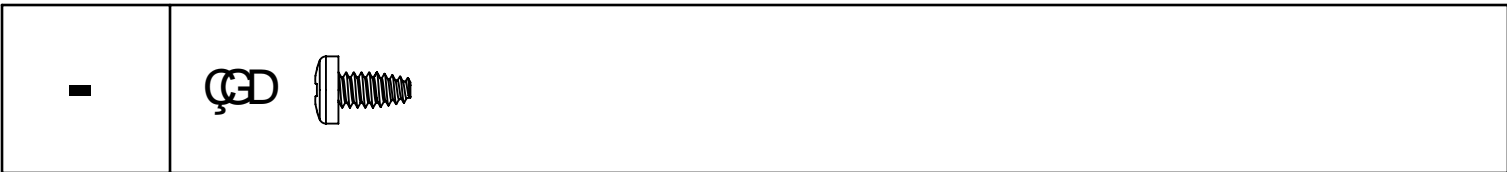


+

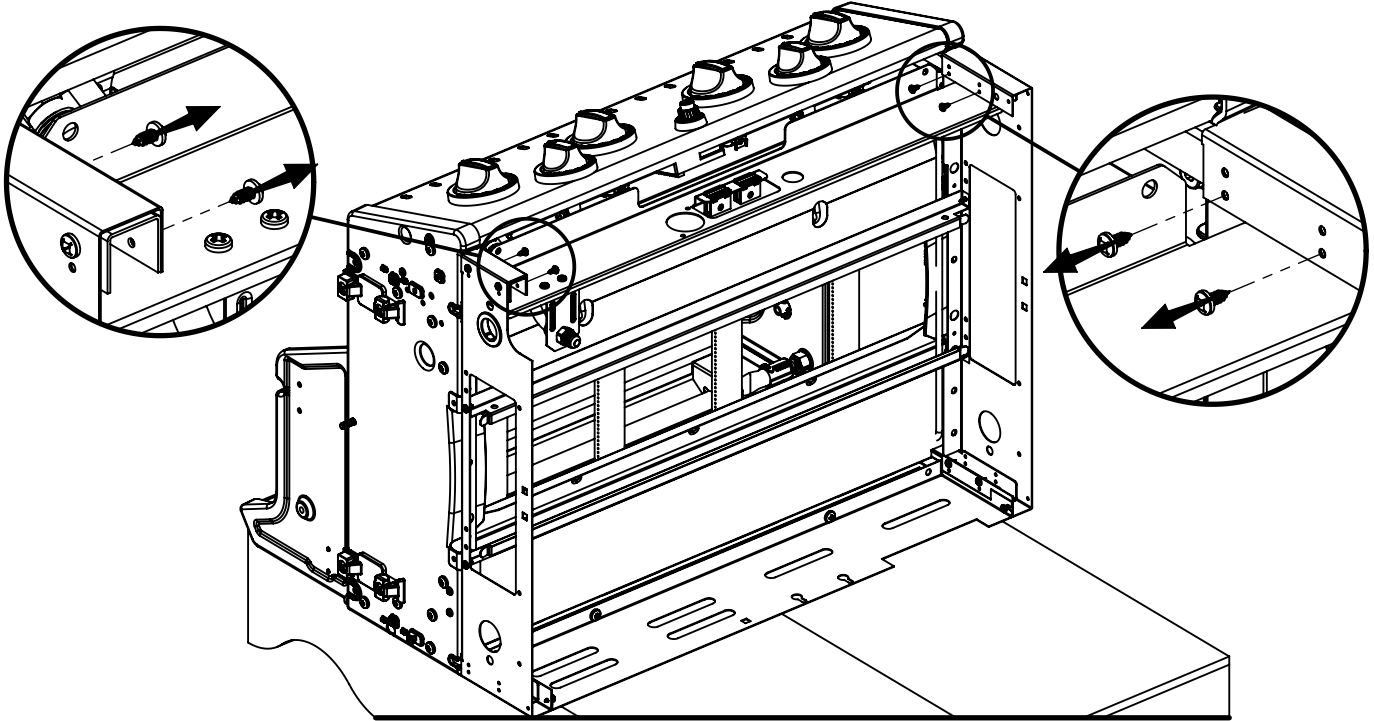


, $\varnothing D$ 

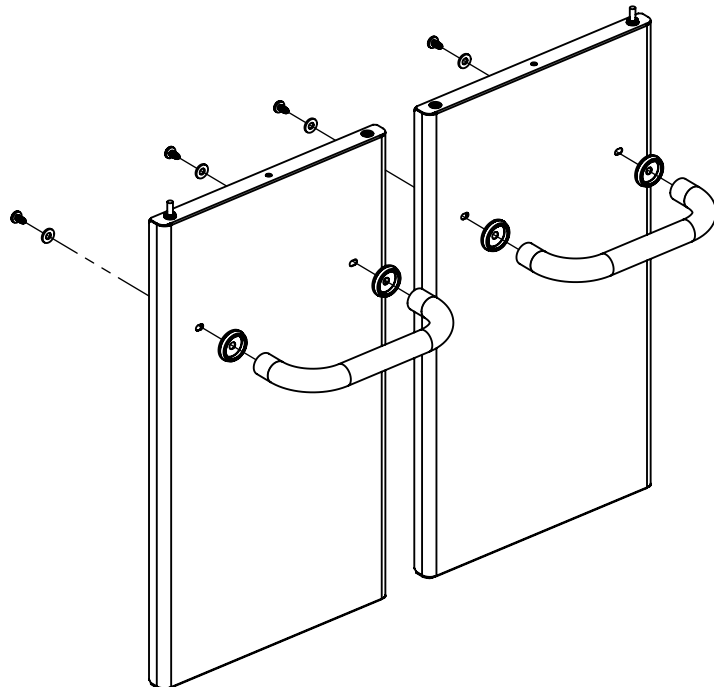
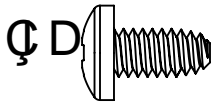


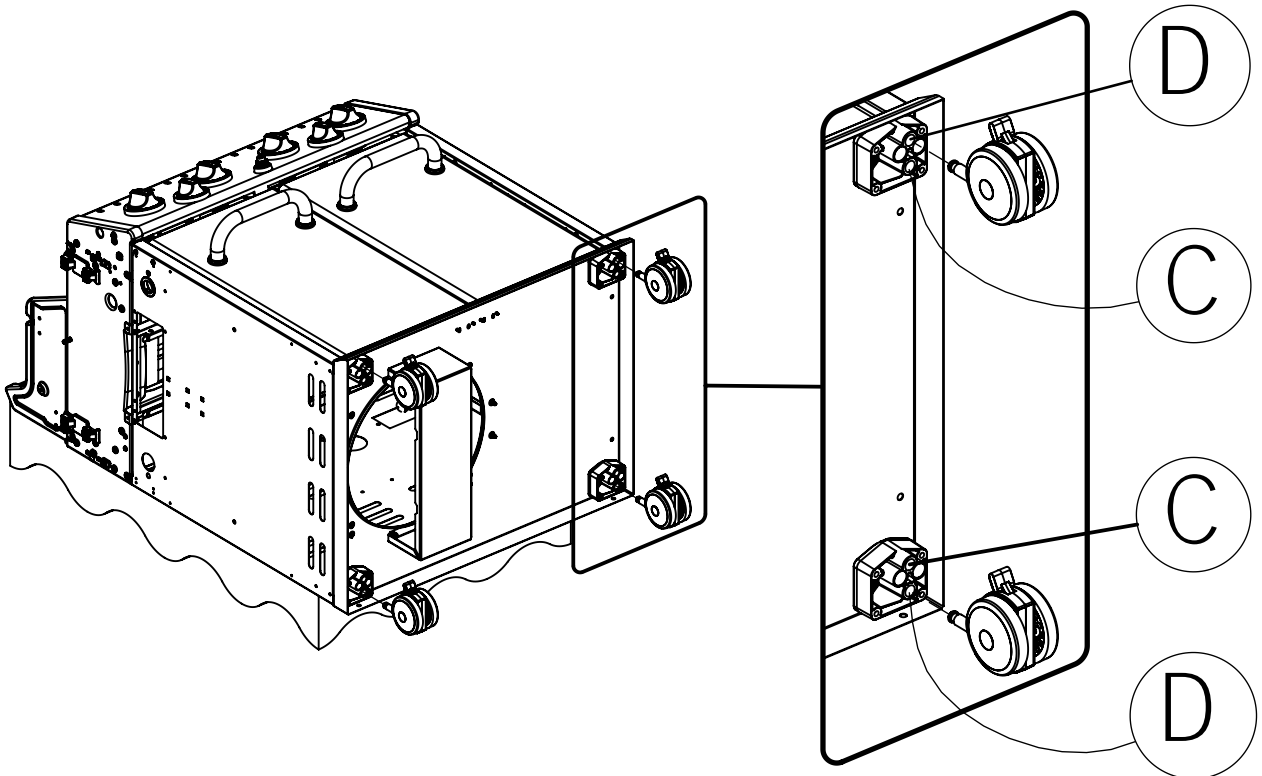
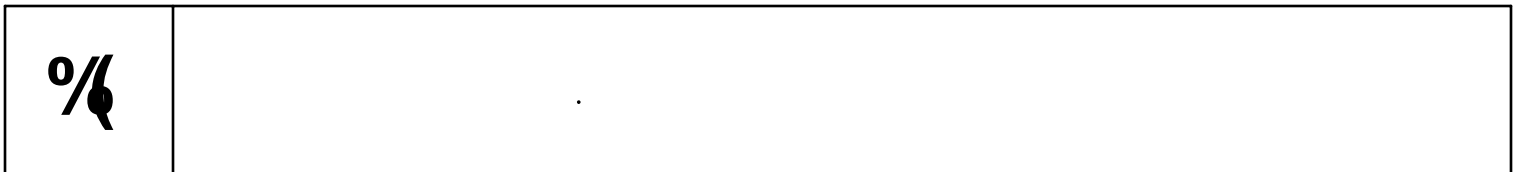
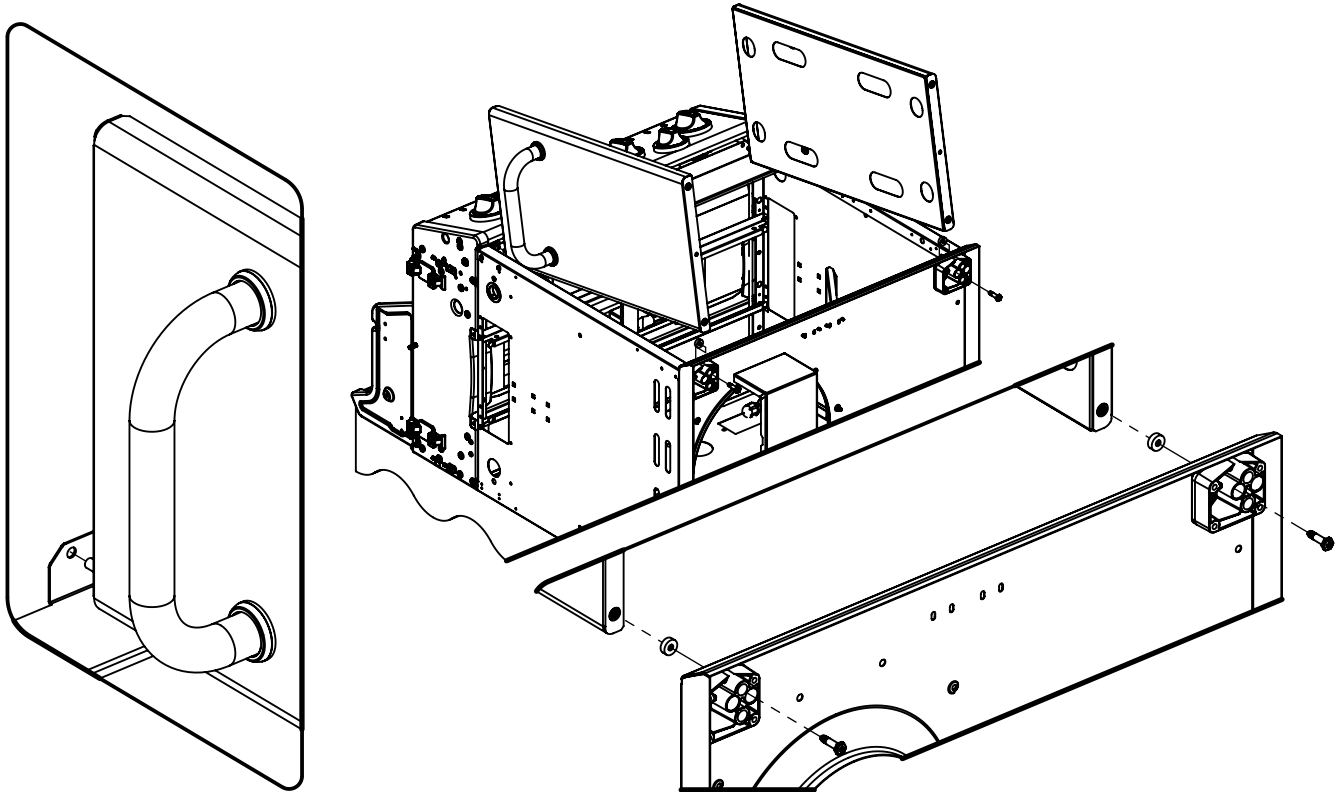
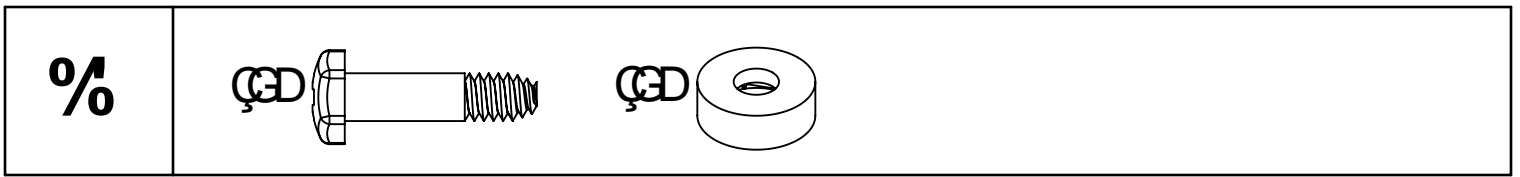


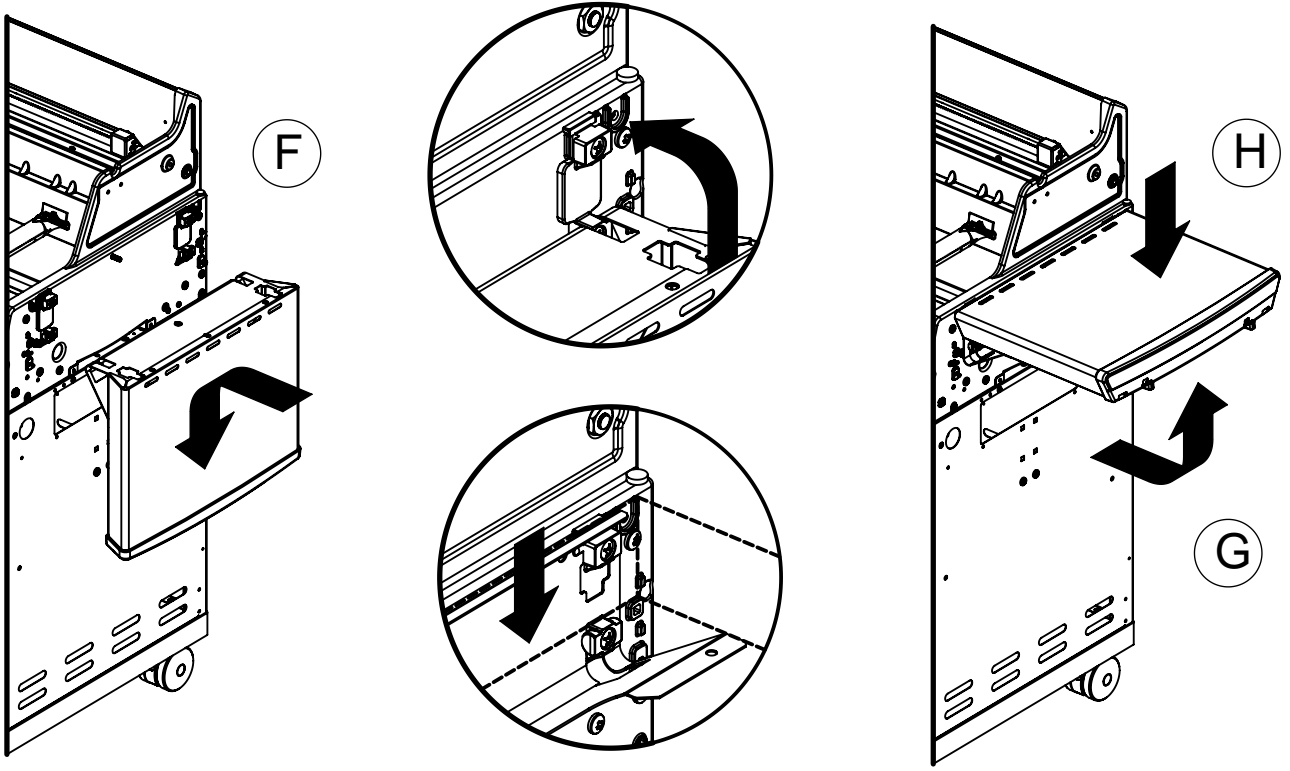
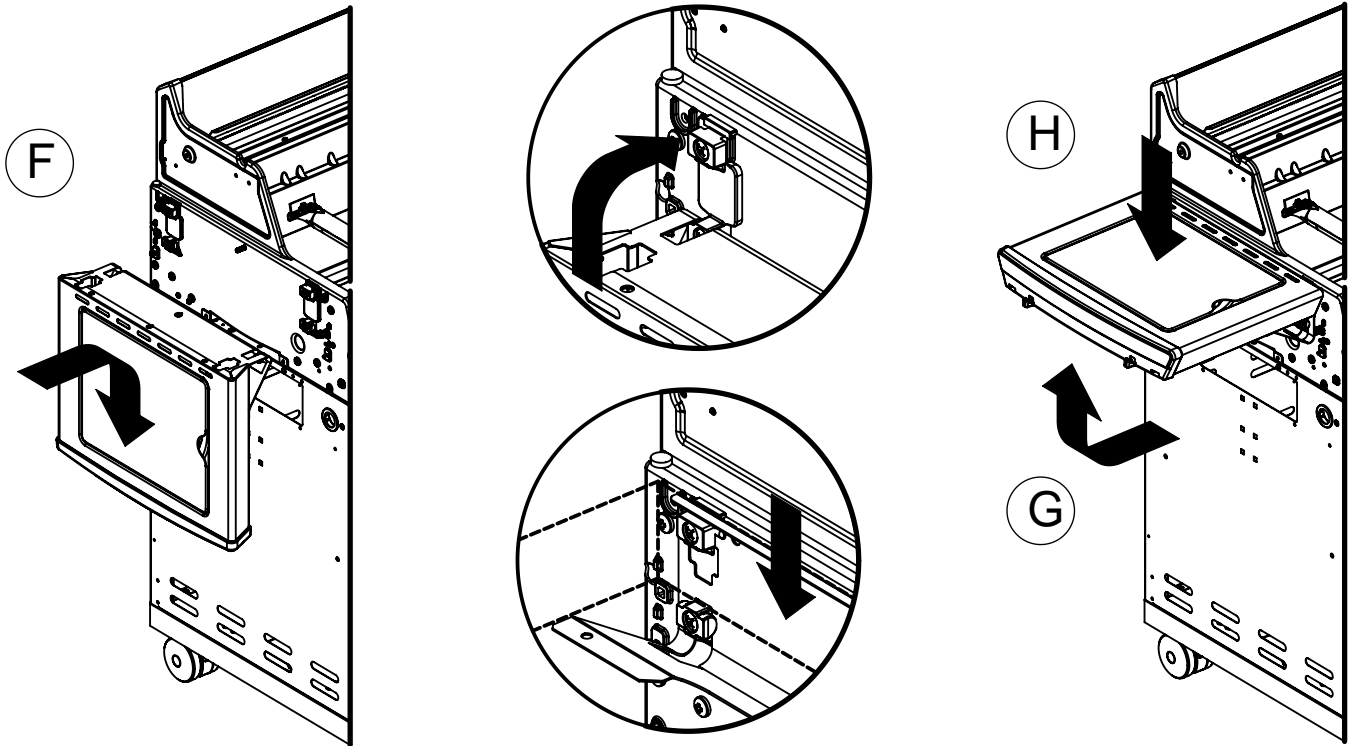
%%



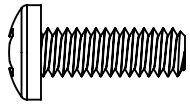
%&

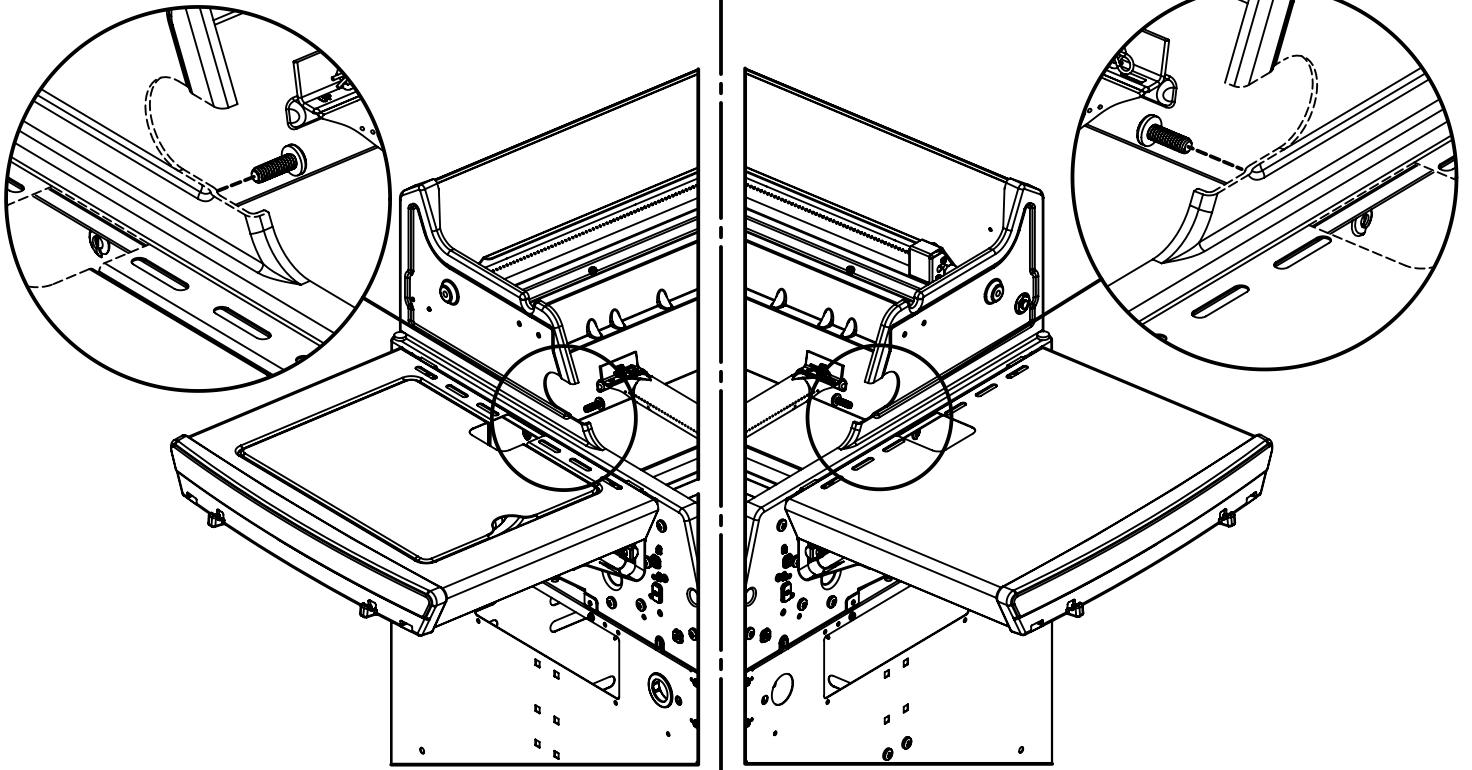




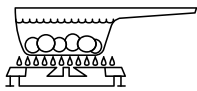


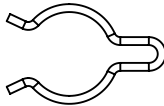
17

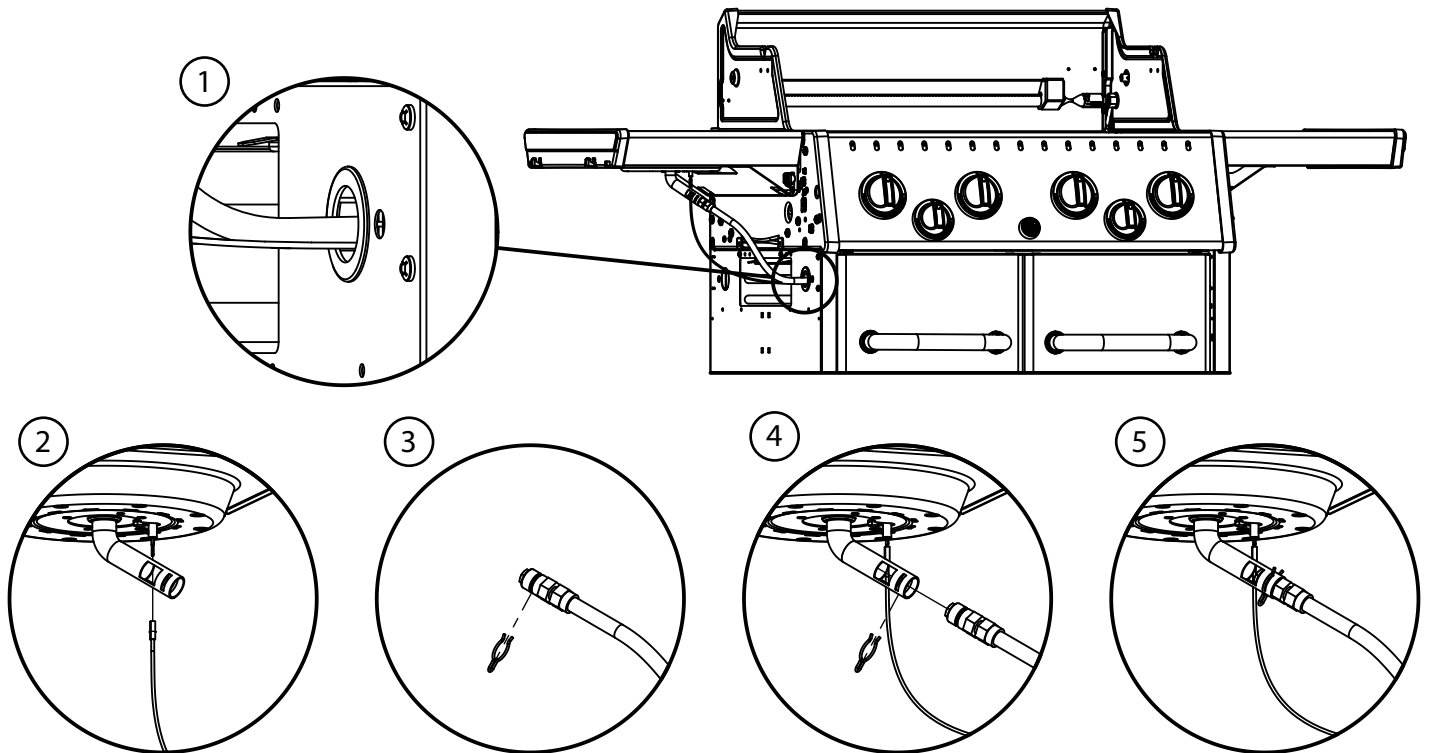
(2) 



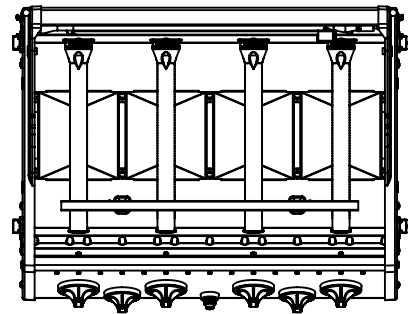
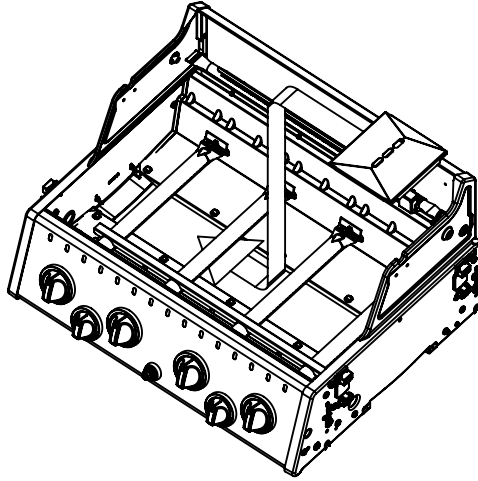
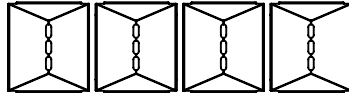
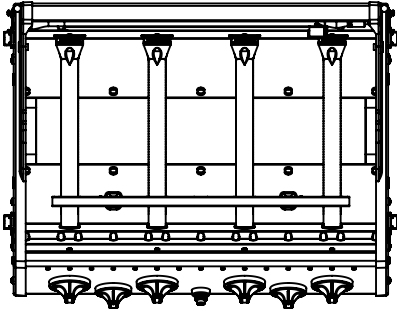
18



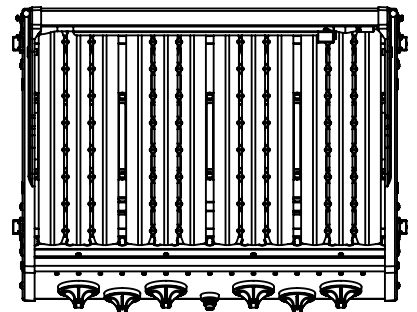
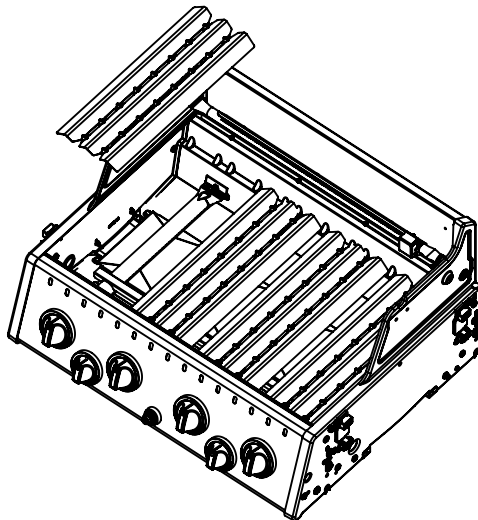
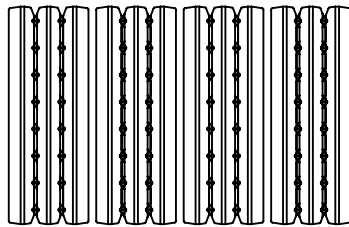
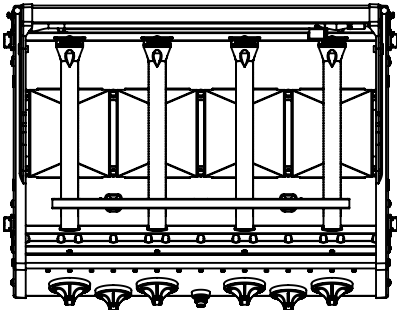
(1) 



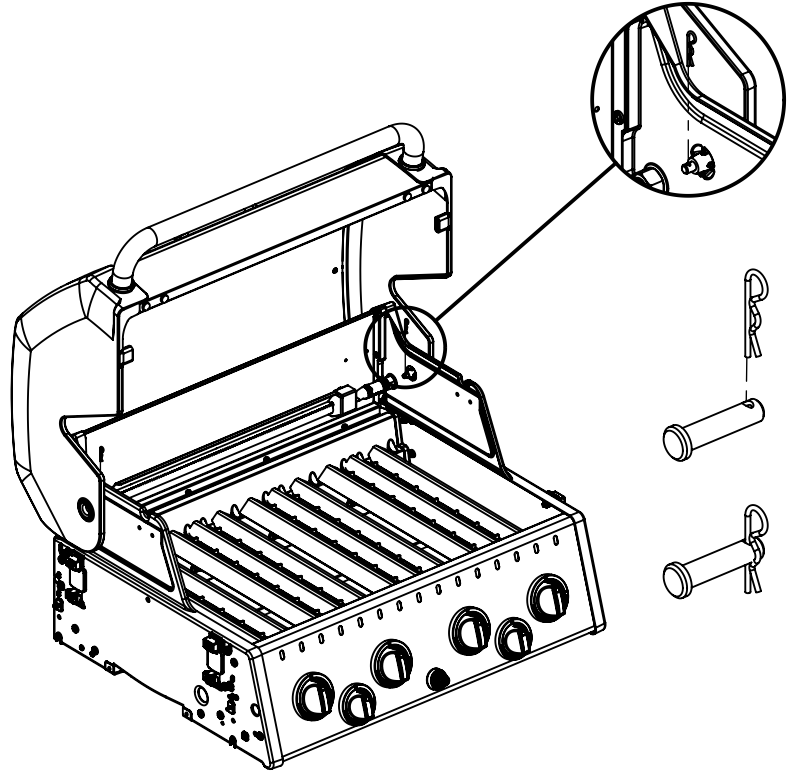
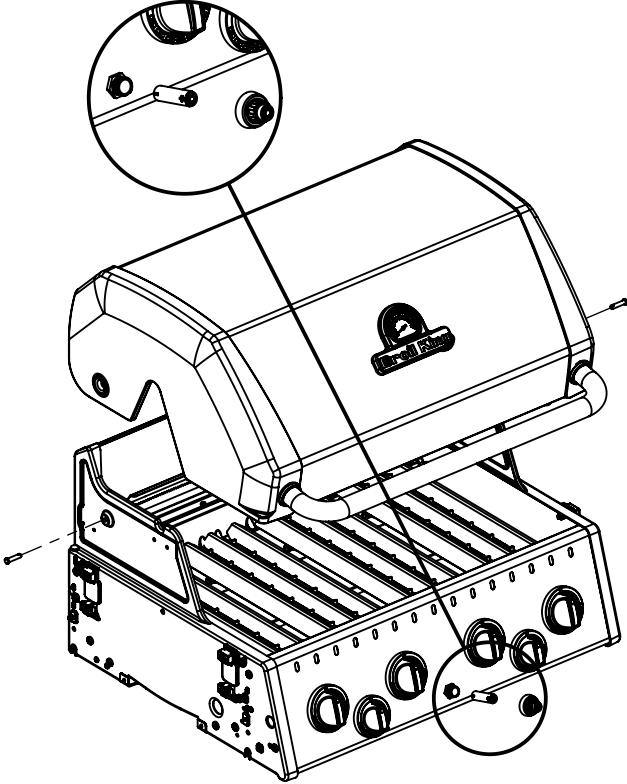
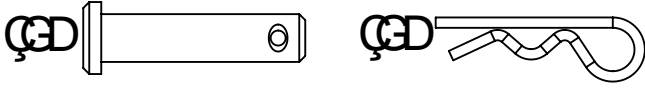
⌘



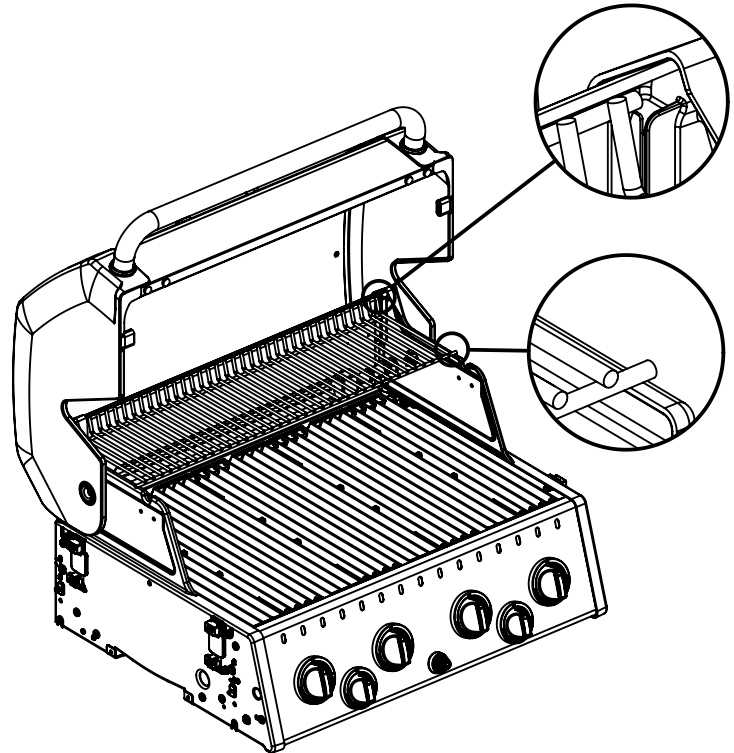
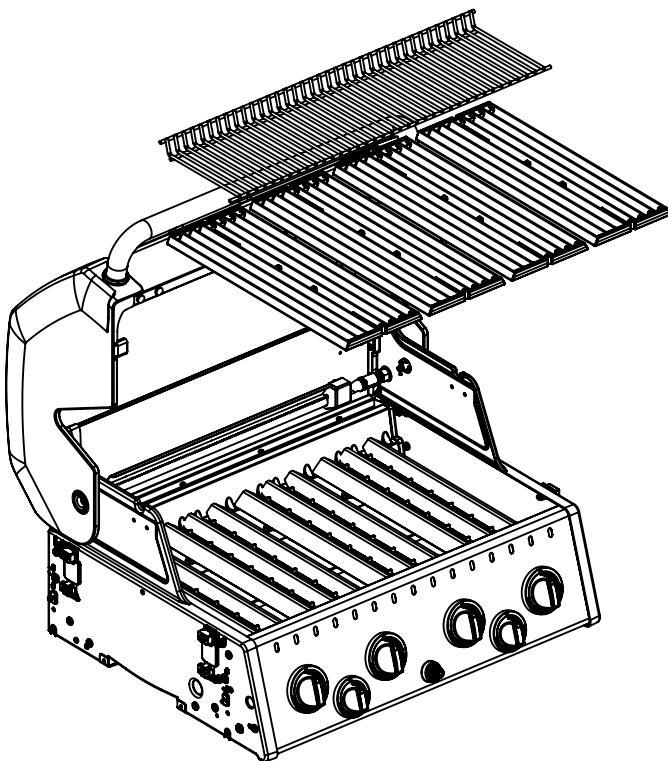
&\$



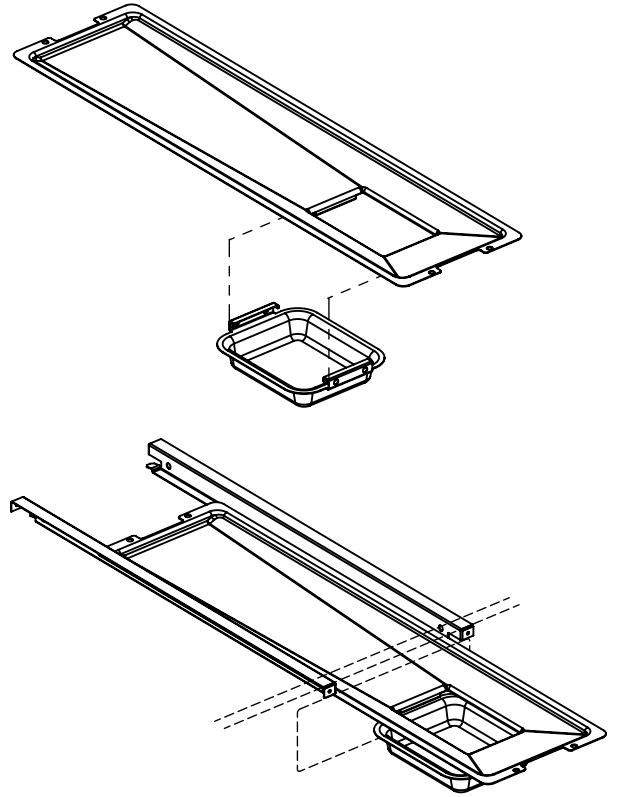
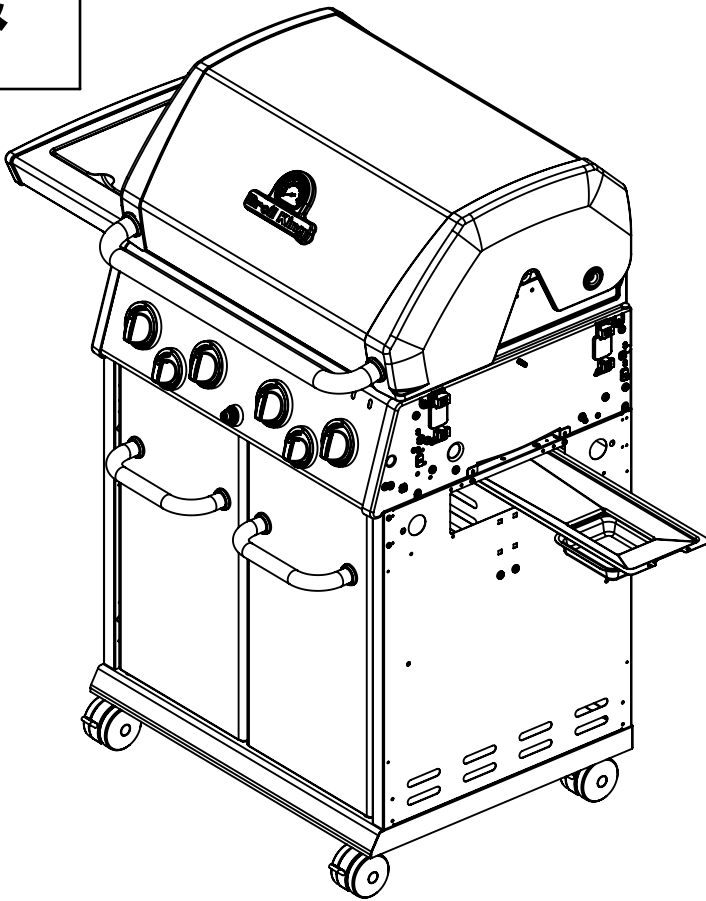
&%



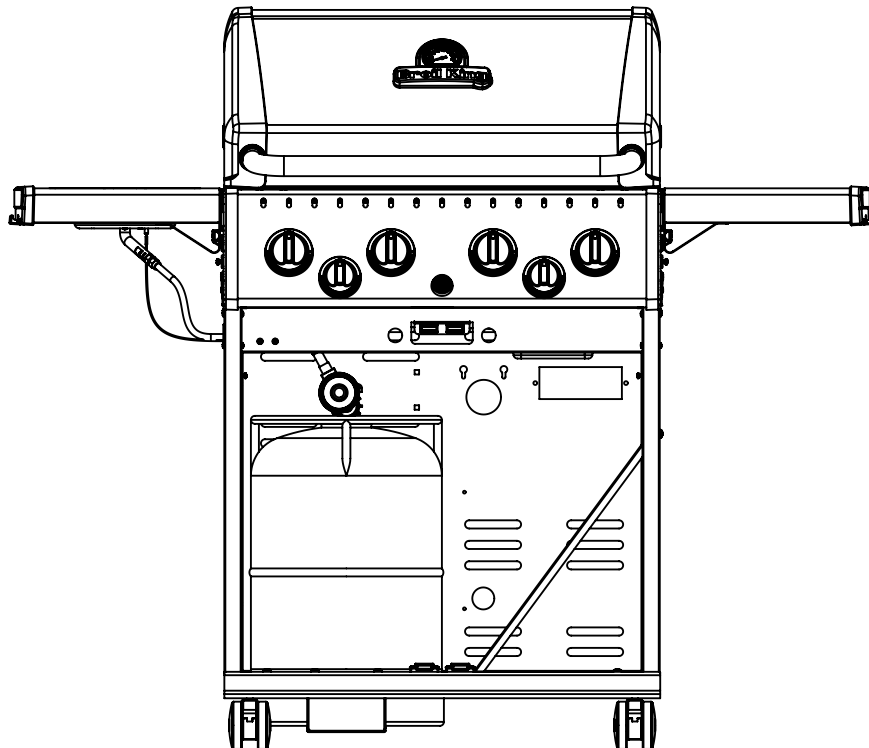
&&



&



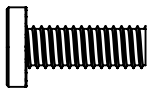
&



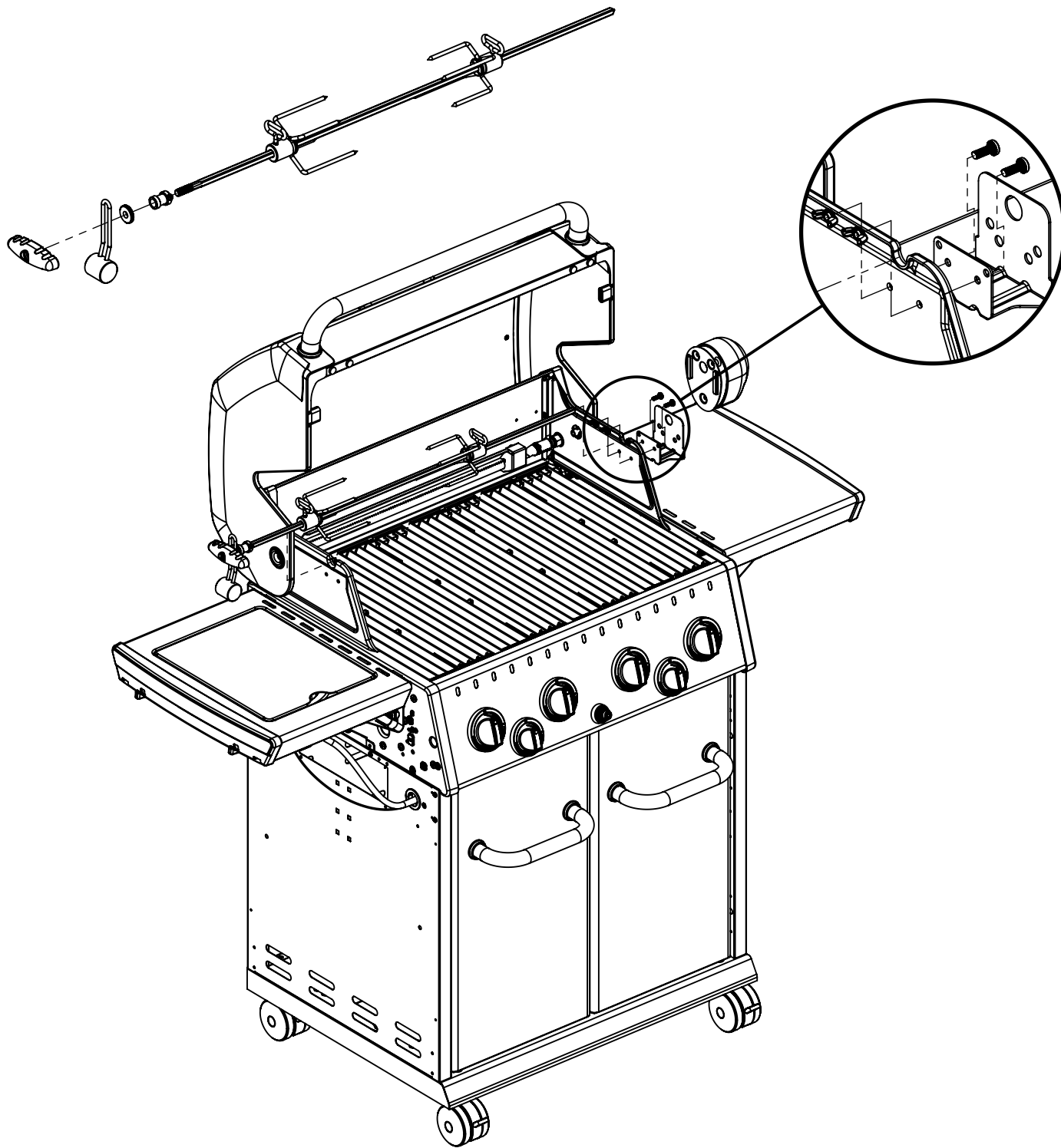
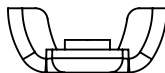
25



(2)



(2)



KEY #	ITEM #	DESCRIPTION	9821-53	9821-63	9821-83	KEY #	ITEM #	DESCRIPTION	9821-53	9821-63	9821-83
1	56005-801	LID	1	1	1	67	51335-211	MAGNET BRACKET	1	1	1
5	10081-BK630	NAMEPLATE	1	1	1	68	57139-13	CONNECTION BRACKET	4	4	4
6	10571-6	HEAT INDICATOR	1	1	1	73	51039-998	CASTER BRACKET	4	4	4
8	24005-12A	HANDLE	1	1	1	74	10892-286	CASTER	4	4	4
9	24009-936	HANDLE BEZEL	2	2	2	77	51239-901	TANK PREVENTION BRACKET	1	1	1
10	52105-074	FIREBOX	1	1	1	80	50711-E111A	SIDE SHELF	2	1	1
13	53139-988	SHELF BRACKET	4	4	4	82	50711-E131A	SIDE BURNER	•	1	1
15	52225-014A	COLLECTOR BOX	1	1	1	86	10390-E10D	SIDE BURNER	•	•	•
17	27249-904	GREASE SHEILD	4	4	4		10390-E10E	SIDE BURNER	•	1	1
25	52904-144D	BURNER - MAIN	•	•	•		10390-E10NGE	SIDE BURNER	•	•	•
	52904-144E		4	4	4	87	53004-271	SIDE BURNER - BODY	•	1	1
	52904-144NGE		•	•	•	88	53000-251	SIDE BURNER - COVER	•	1	1
28	52025-304EU1	CONTROL COVER	•	•	1	89	63139-981	SIDE BURNER GRID	•	1	1
	52025-244EU1		•	1	•	92	10342-T21	SIDE BURNER ELECTRODE	•	1	1
	52025-124EU1		1	•	•	100	Y-12220	GROMMET	•	1	1
29	59005-075	CONTROL ASSEMBLY	•	•	1	105	S21362	SPRING	•	•	1
	59005-072		•	•	•	108	10693-099	REAR BURNER ORIFICE	•	•	•
	59005-035		•	1	•		10693-104		•	•	1
	59005-032		•	•	•		10693-161		•	•	•
	59005-015		1	•	•	110	S15271	HANDLE	•	•	1
	59005-012		•	•	•	111	S15270	BALANCE	•	•	1
30	S13473-073	HOSE - SIDE BURNER	•	•	•	112	S15299	WASHER	•	•	1
	S13473-079		•	1	1	113	S15263	BUSHING	•	•	1
	S13473-118		•	•	•	114	S15256	ROTISSERIE ROD	•	•	1
32	10111-15A	HOSE	1	1	1	115	S15259	4 PRONG FORK	•	•	2
33	27905-354	BURNER - ROTISSERIE	•	•	1	116	57039-901	ROTISSERIE BRACKET	•	•	1
34	S15508	ELECTRODE	•	•	1	125	Y-12835	SCREW - #6 X 1/4	•	2	2
35	50809-957	MANIFOLD - REAR BURNER	•	•	1	127	S21125	SCREW - #8 X 3/8	4	4	4
36	Y-11990	NUT HEX	•	•	1	128	S21124	SCREW - #8 X 1/2	16	16	16
38	22002-268	CONTROL BEZEL	4	4	4	131	S21136	SCREW - #8-32 X 1/2	8	10	12
39	22001-168	CONTROL BEZEL	•	1	2	133	Y-12646	SCREW - SHOULDER #8 X 1/2	2	2	2
40	10472-K431	CONTROL KNOB	4	4	4	134	Y-29304	SCREW - #10-24 X 3/8	2	2	2
41	10472-K231	CONTROL KNOB	•	1	2	135	S35094	SCREW - #10-24 X 5/8	1	1	1
42	10342-247	ELECTRONIC IGNITOR	•	•	1	136	Y-29310	SCREW - #10-24 X 3/4	6	6	6
	10342-246		•	1	•	137	S35095	SCREW - #10-24 X 5/8	•	•	2
	10342-245		1	•	•	140	Y-12865	SCREW - 1/4-20 X 1/2	8	8	8
43	10342-E12	ELECTRODE	2	2	2	141	Y-12310	SCREW - 1/4-20 X 3/4	16	16	16
44	52209-404	FLAV-R-WAVE®	4	4	4	142	Y-11559	SCREW - 1/4-20 X 1	10	10	10
45a	52005-281	GRID - SINGLE	•	•	•	151	Y-11793	NUT - 1/4-20	4	4	4
	52007-181		•	•	•	154	S21061	WING NUT #10	•	•	2
45b	52006-281	GRID - DOUBLE	•	•	•	160	Y-12857	WASHER	2	2	2
	52002-181		2	2	2	161	Y-12870	WASHER	2	2	2
46	52005-991	GRID - WARMING RACK	1	1	1	169	Y-11230	SIDE BURNER - RETAINER CLIP	•	1	1
47	57055-901	GREASE TRAY	1	1	1	170	S21235	HINGE PIN	2	2	2
48	52009-901	GREASE PAN	1	1	1	171	S21233	CLIP	2	2	2
49	21035-991	GREASE TRAY - RAIL	2	2	2	173	10240-19	DOOR HINGE PIN - TOP	2	2	2
50	51275-131A	DOOR - LEFT HAND	1	1	1	175	Y-11551	DOOR SCREW	2	2	2
51	51275-111A	DOOR - RIGHT HAND	1	1	1	176	Y-12124	DOOR HINGE COVER	2	2	2
55	21071-13	DOOR HANDLE	2	2	2	177	Y-12222	MAGNET	2	2	2
56	21070-13	HANDLE BEZEL	4	4	4	178	Y-12223	MAGNET - SNAP IN	2	2	2
60	21109-905	CABINET - SIDE PANEL	2	2	2	181	Y-11231	LID BUMPER - ROUND	4	4	4
61	21305-925	CABINET - REAR PANEL	1	1	1	184	20005-000	MATCH LIGHT CHAIN	1	1	1
65	51615-235	CABINET - LOWER BASE	1	1	1	185	Y-11544	BURNER SCREW	4	4	4
66	21039-301	TANK BRACKET	1	1	1	186	S21242	CLIP	4	4	4

