

Broil King®



BARON 320
9219-52
9219-53
9219-56



BARON 340
9219-62
9219-63
9219-66



BARON 320S
9215-52
9215-53
9215-56



BARON 340S
9215-62
9215-63
9215-66

Onward
MANUFACTURING COMPANY

SINCE 1906

1000 EAST MARKET STREET
HUNTINGTON, INDIANA, 46750, USA



HARDWARE INCLUDED / MATERIAL INCLUS / EQUIPOS INCLUIDO



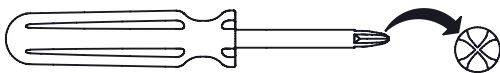
Y-12865		X26	S21125		X8
Y-11562		X4			
Y-29310		X4	Y-12310		X2
Y-11793		X4	Y-12857		X2
S35094		X1	Y-12127		X1
S21235		X2	S21233		X2



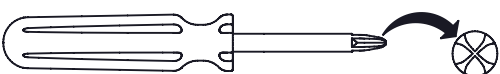
TOOLS REQUIRED / OUTILS NECESSAIRES / HERRAMIENTAS NECESARIAS



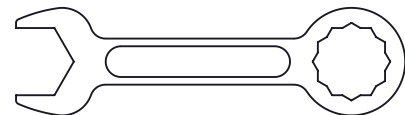
#3 PHILLIPS



#2 PHILLIPS

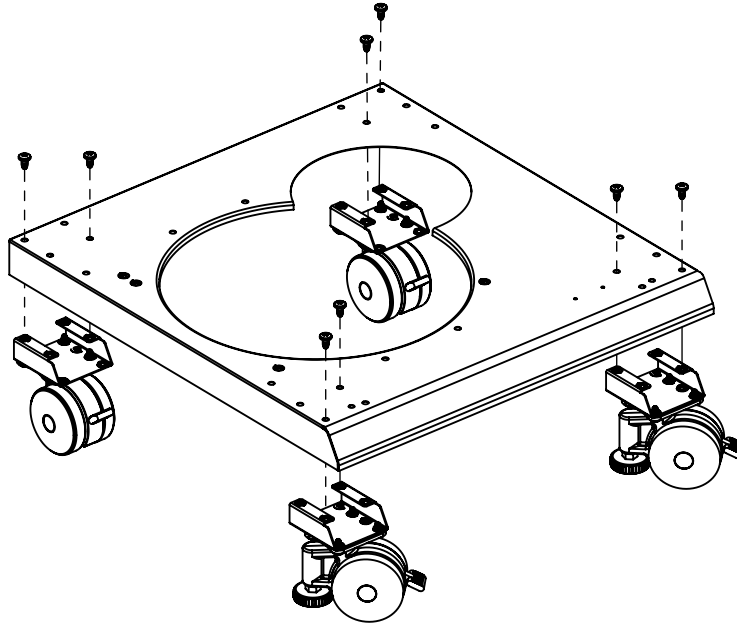
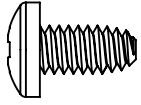


7/16"



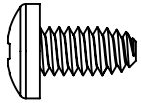
1

(8)

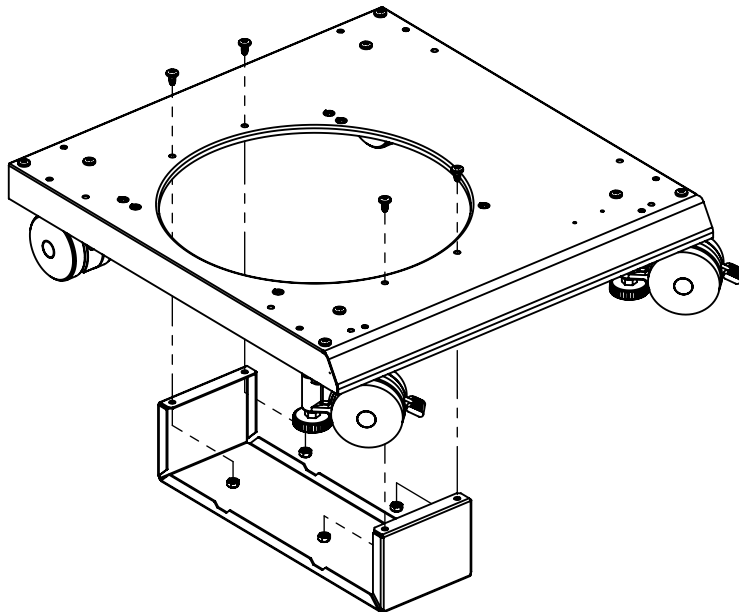
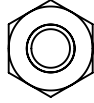


2

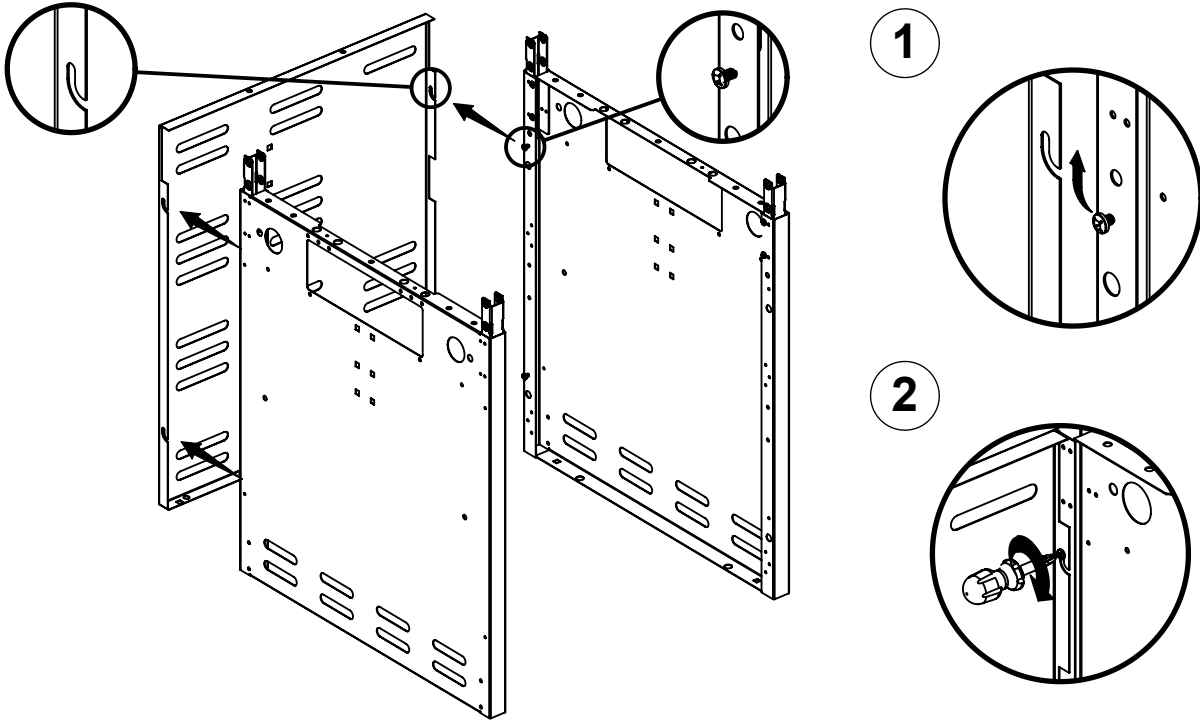
(4)



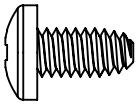
(4)

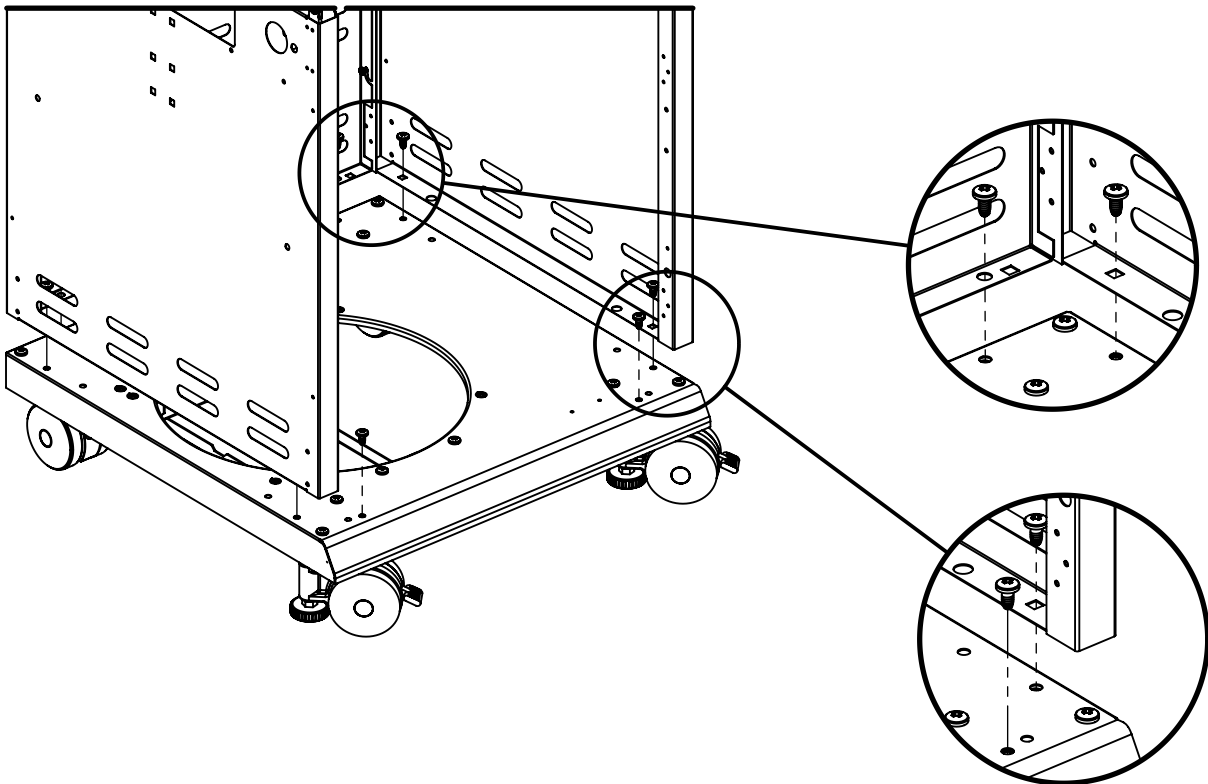


3




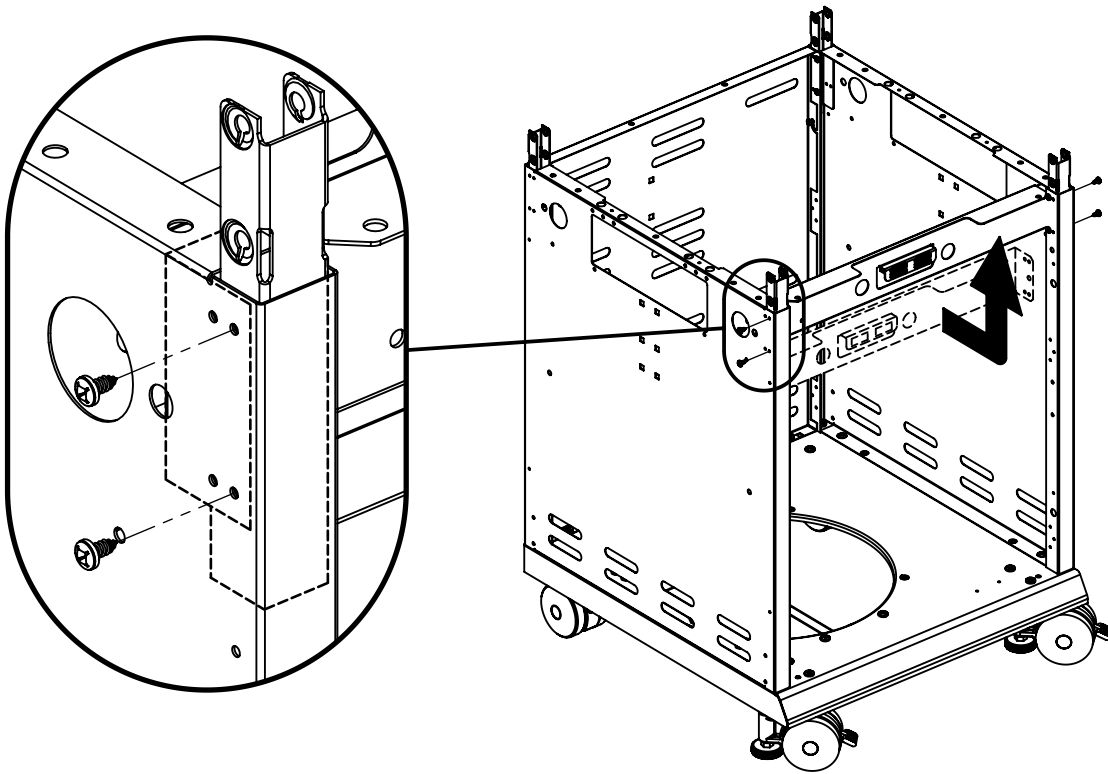
4

(8) 

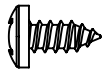



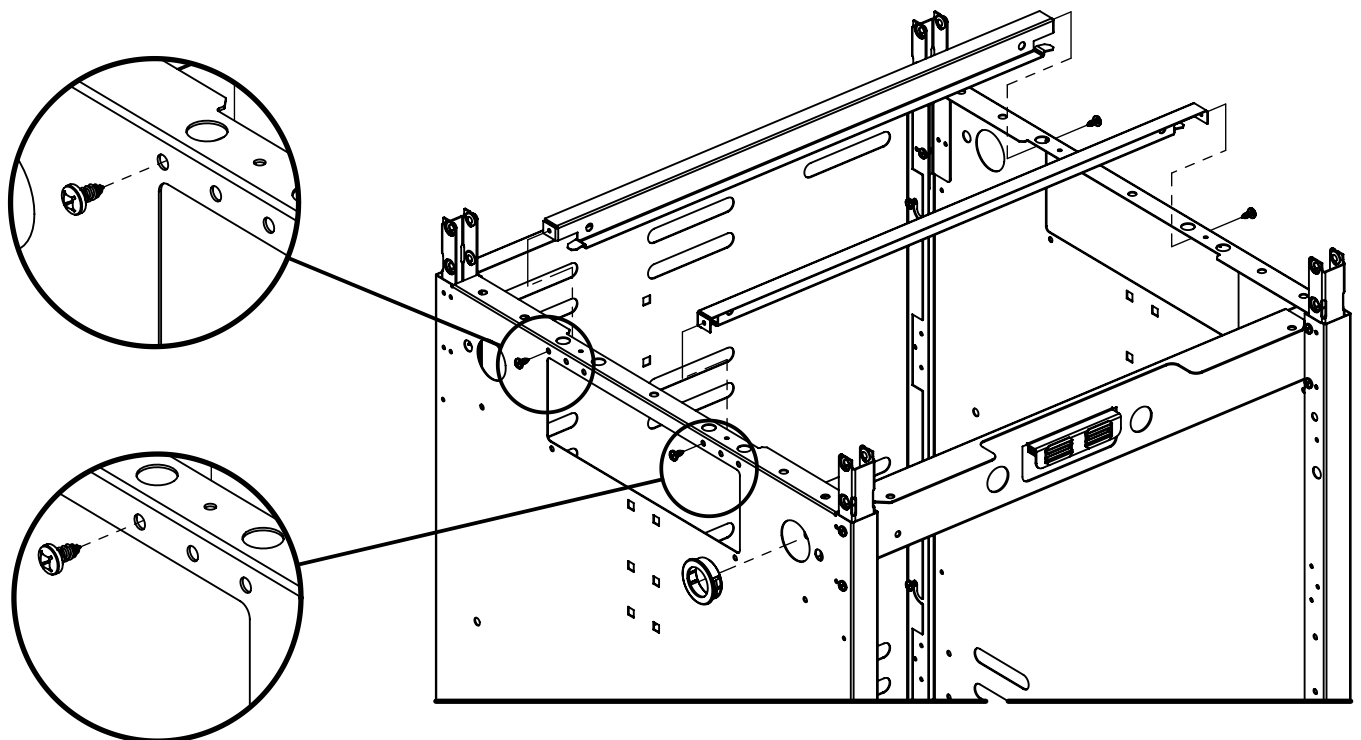
5

(4) 

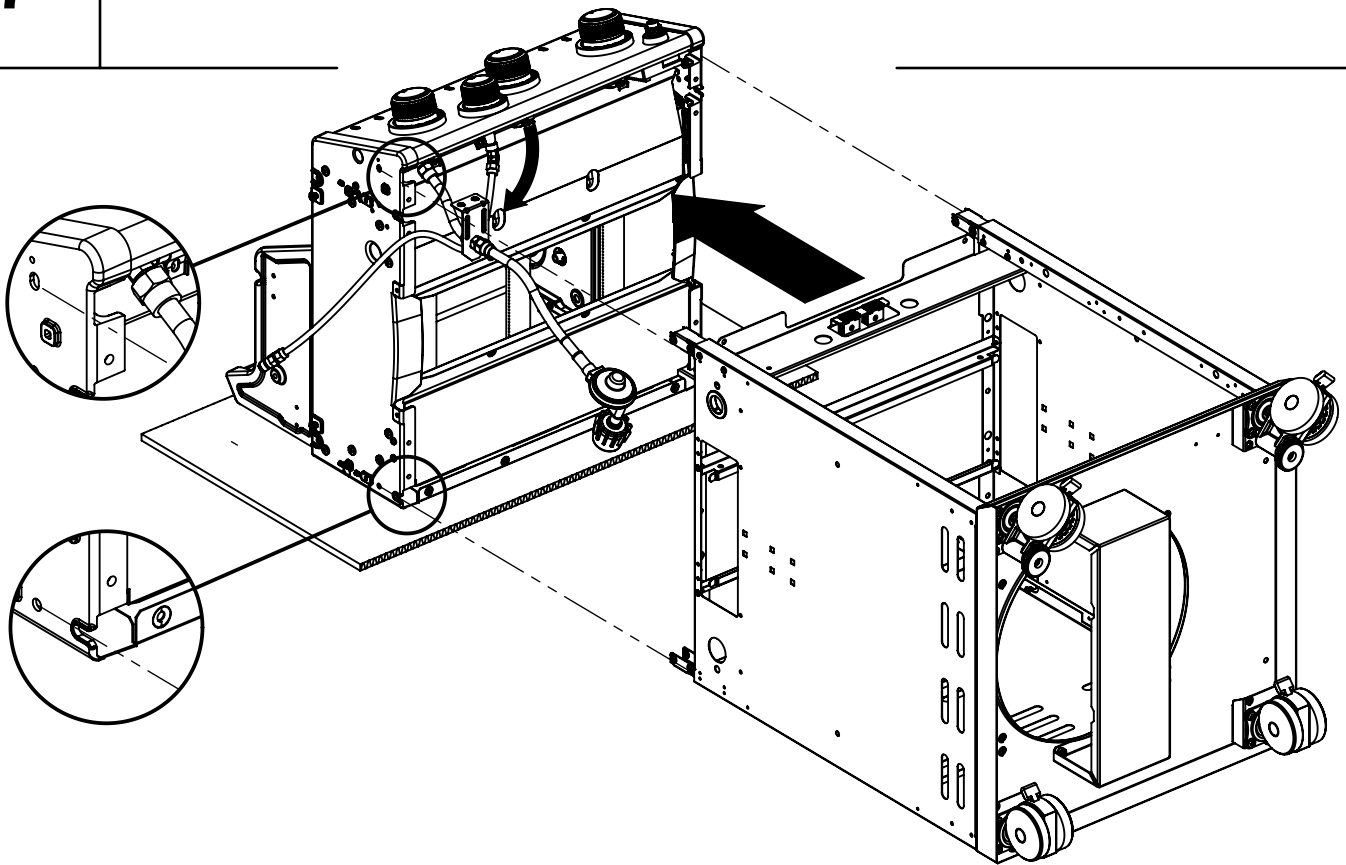


6

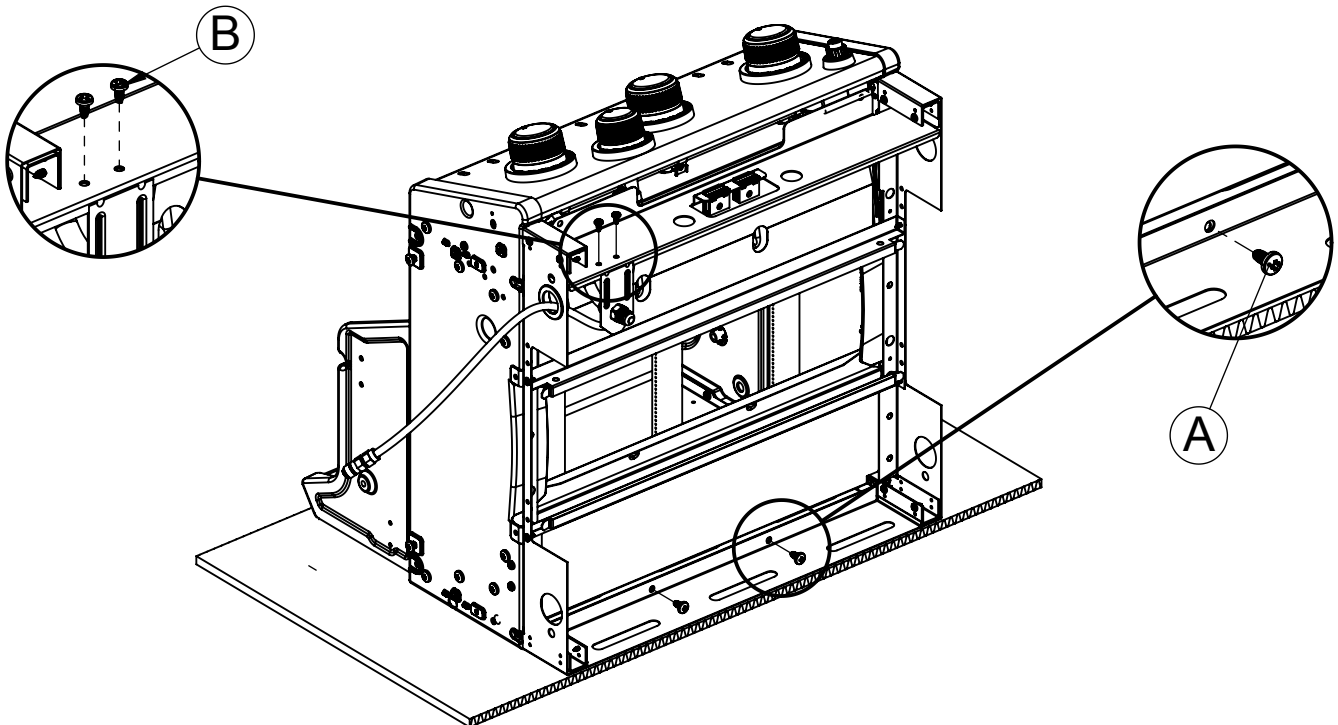
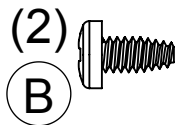
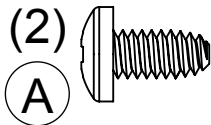
(4)  (1) 



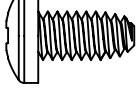
7

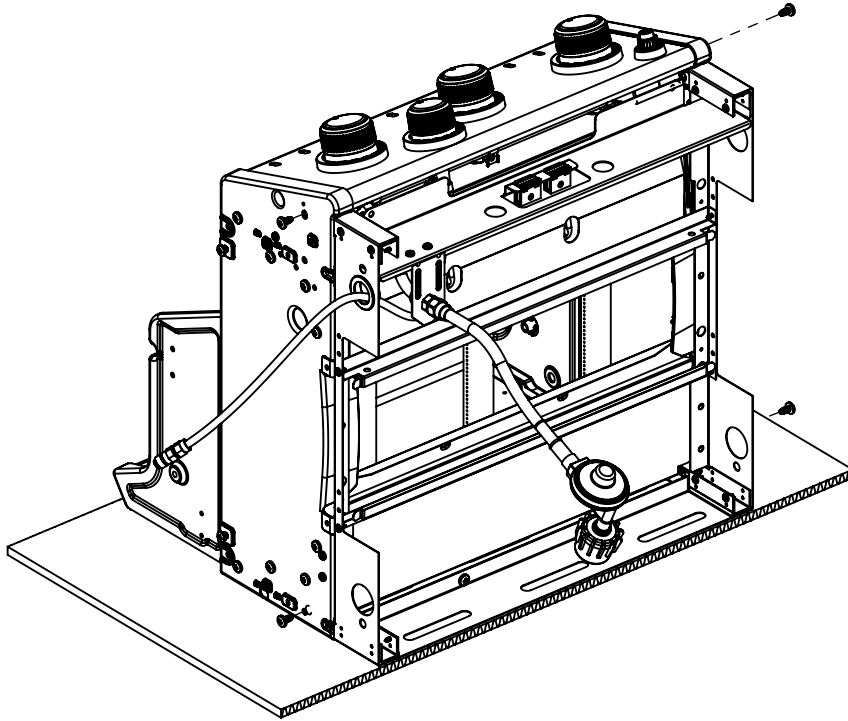


8



9

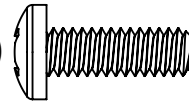
(4) 

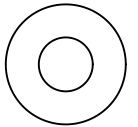


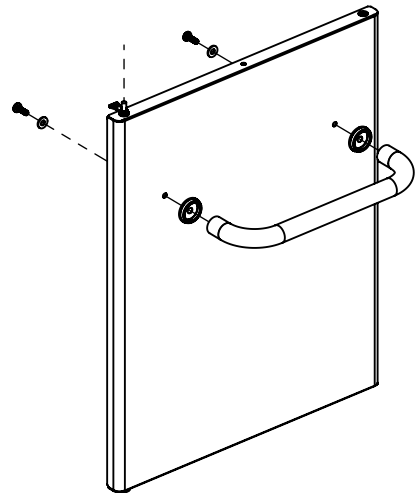
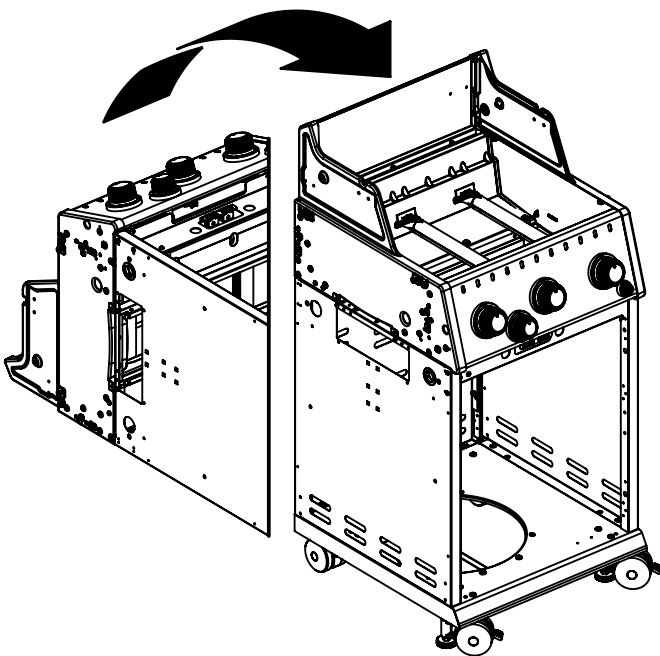
10



11

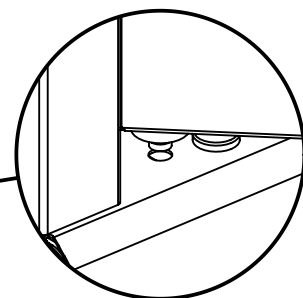
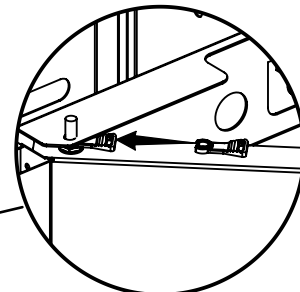
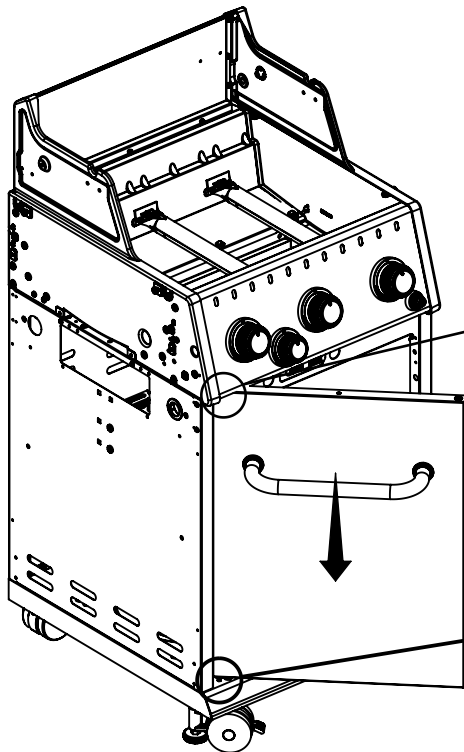
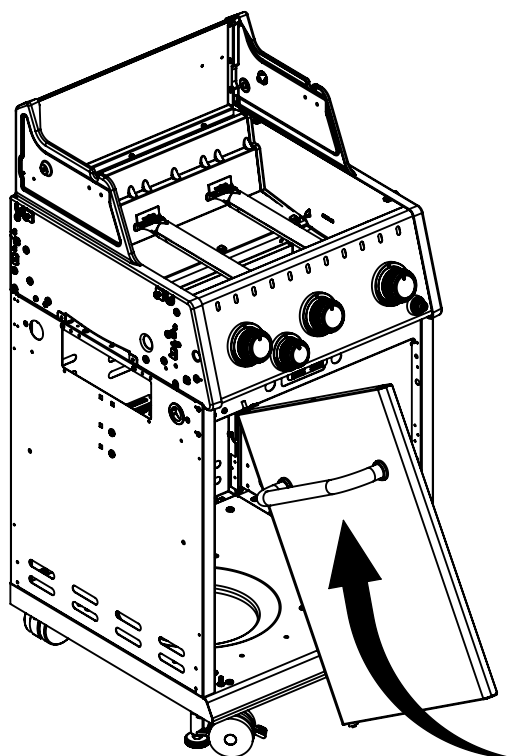
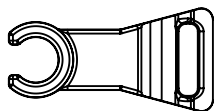
(2) 

(2) 



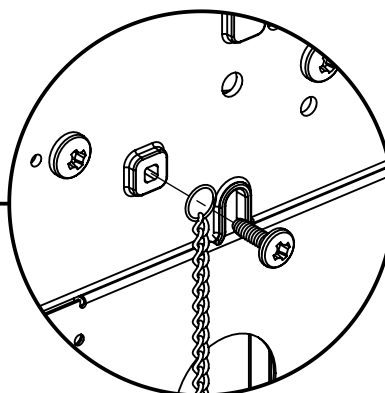
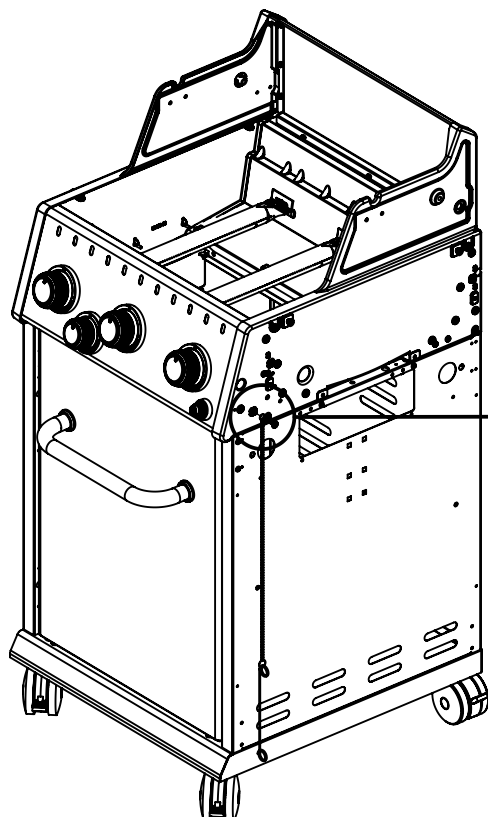
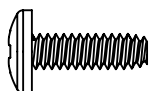
12

(1)



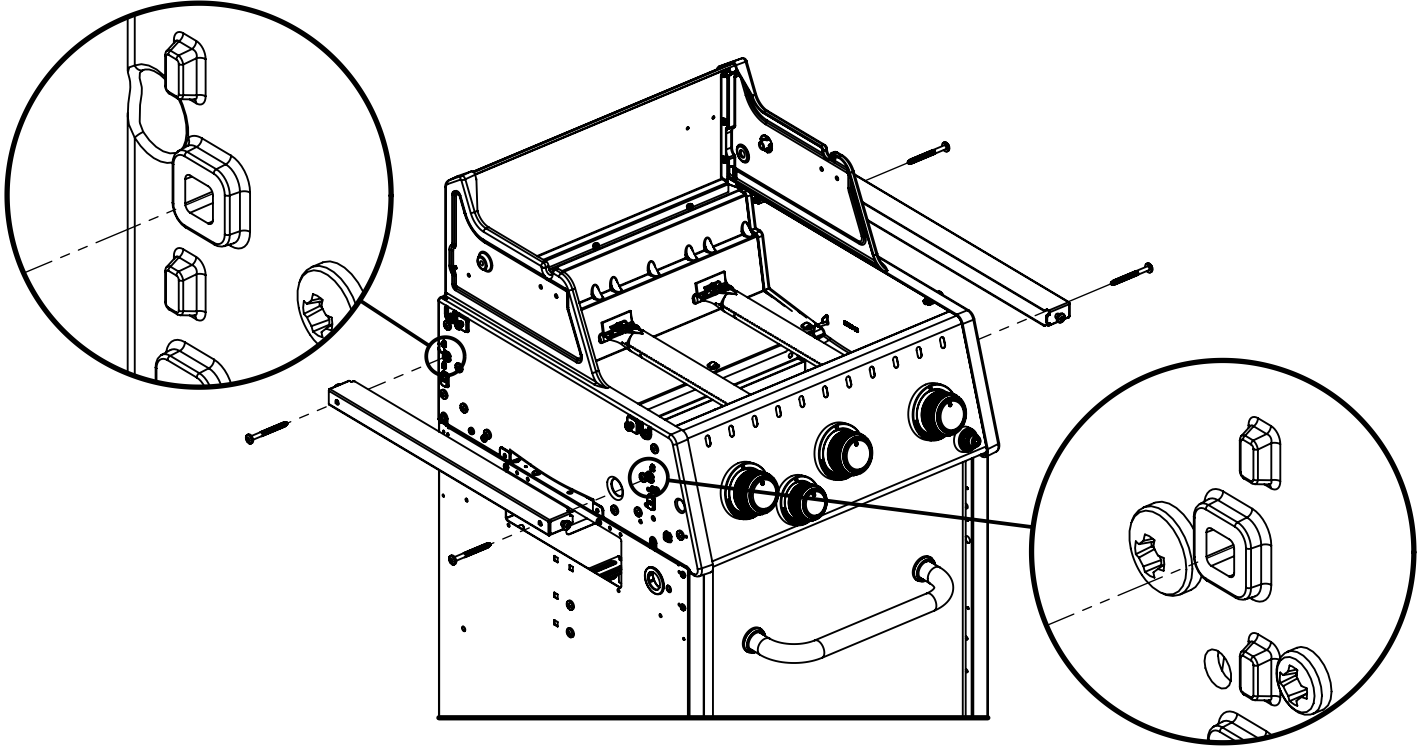
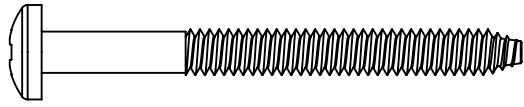
13

(1)

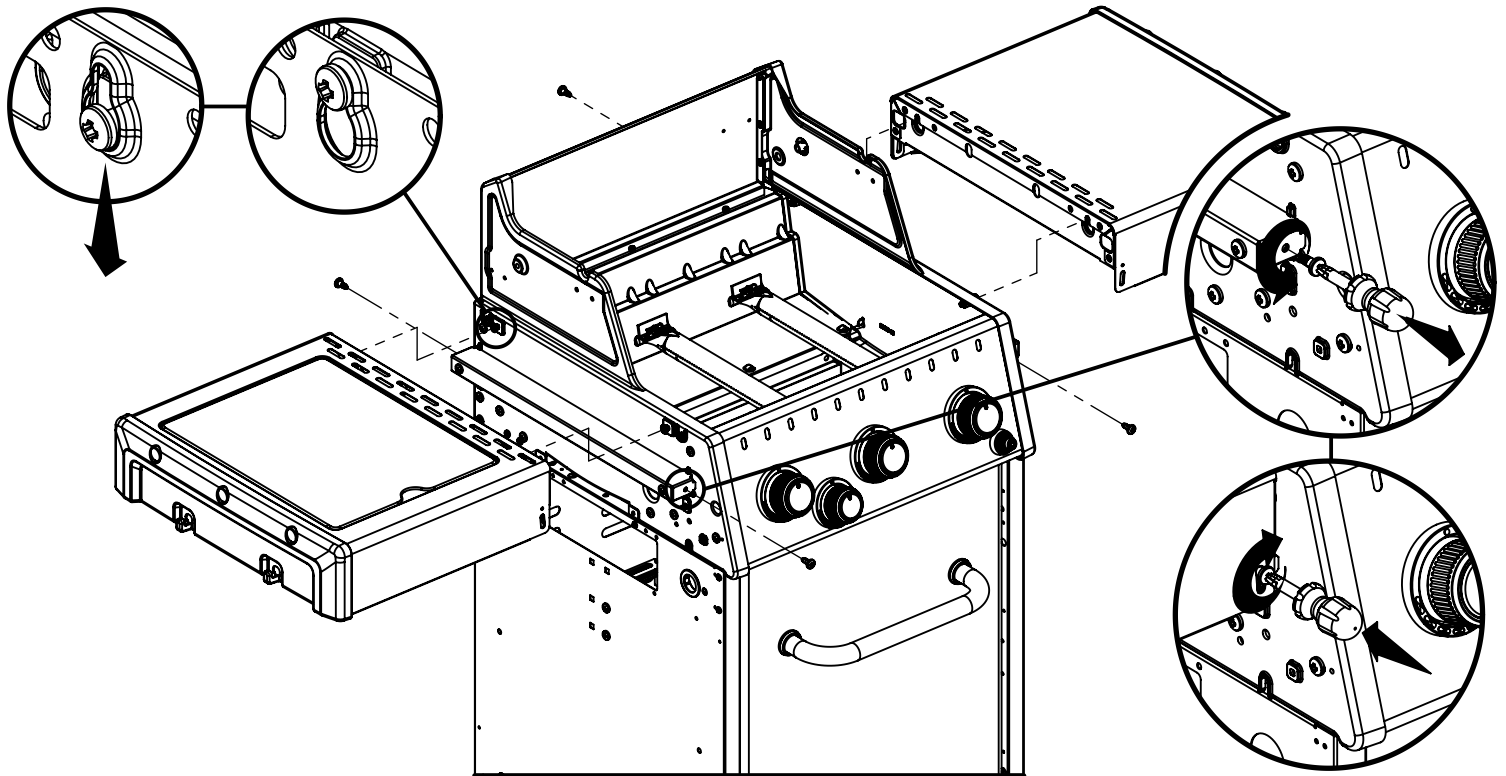


14

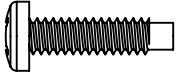
(4)

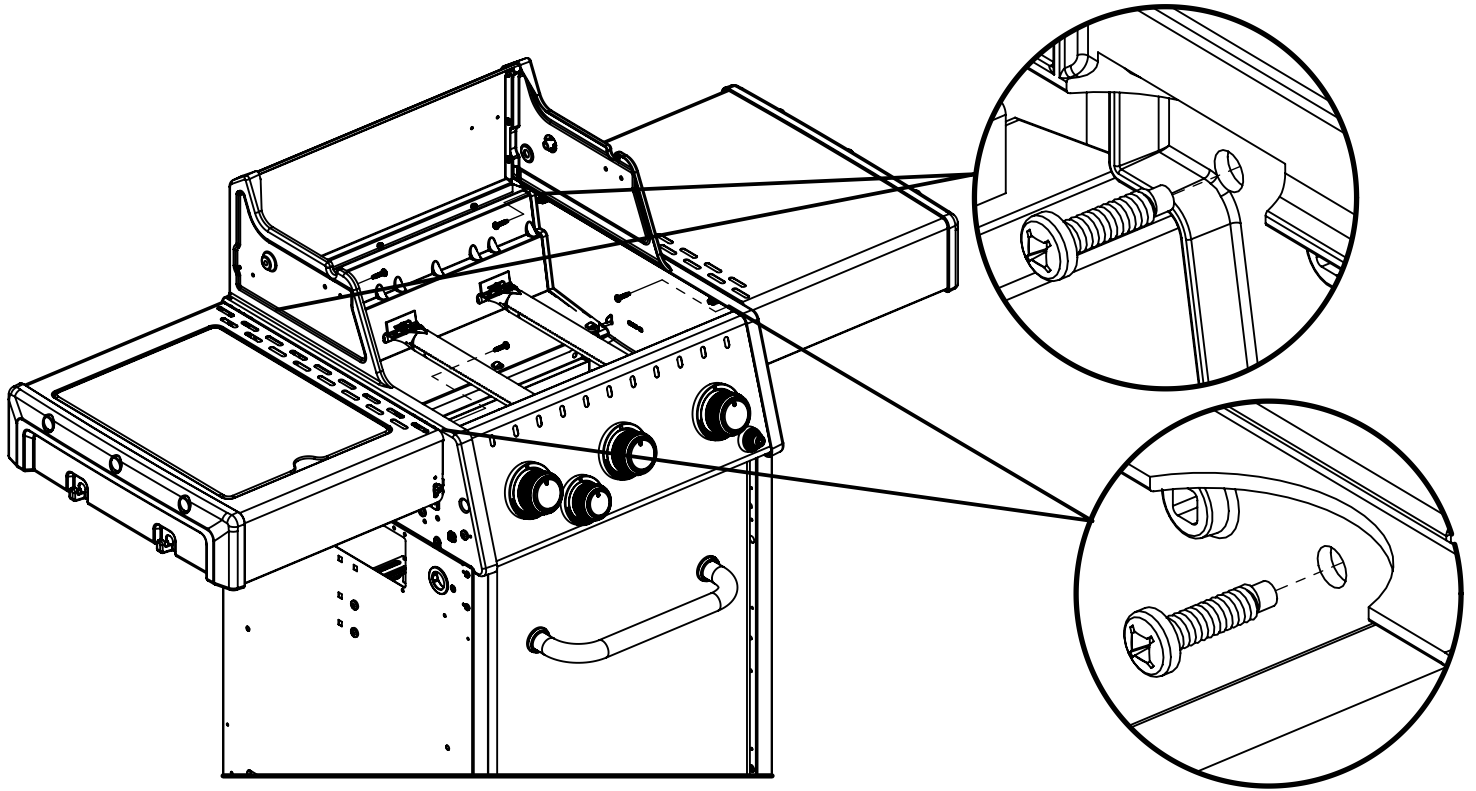


15

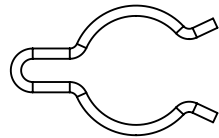


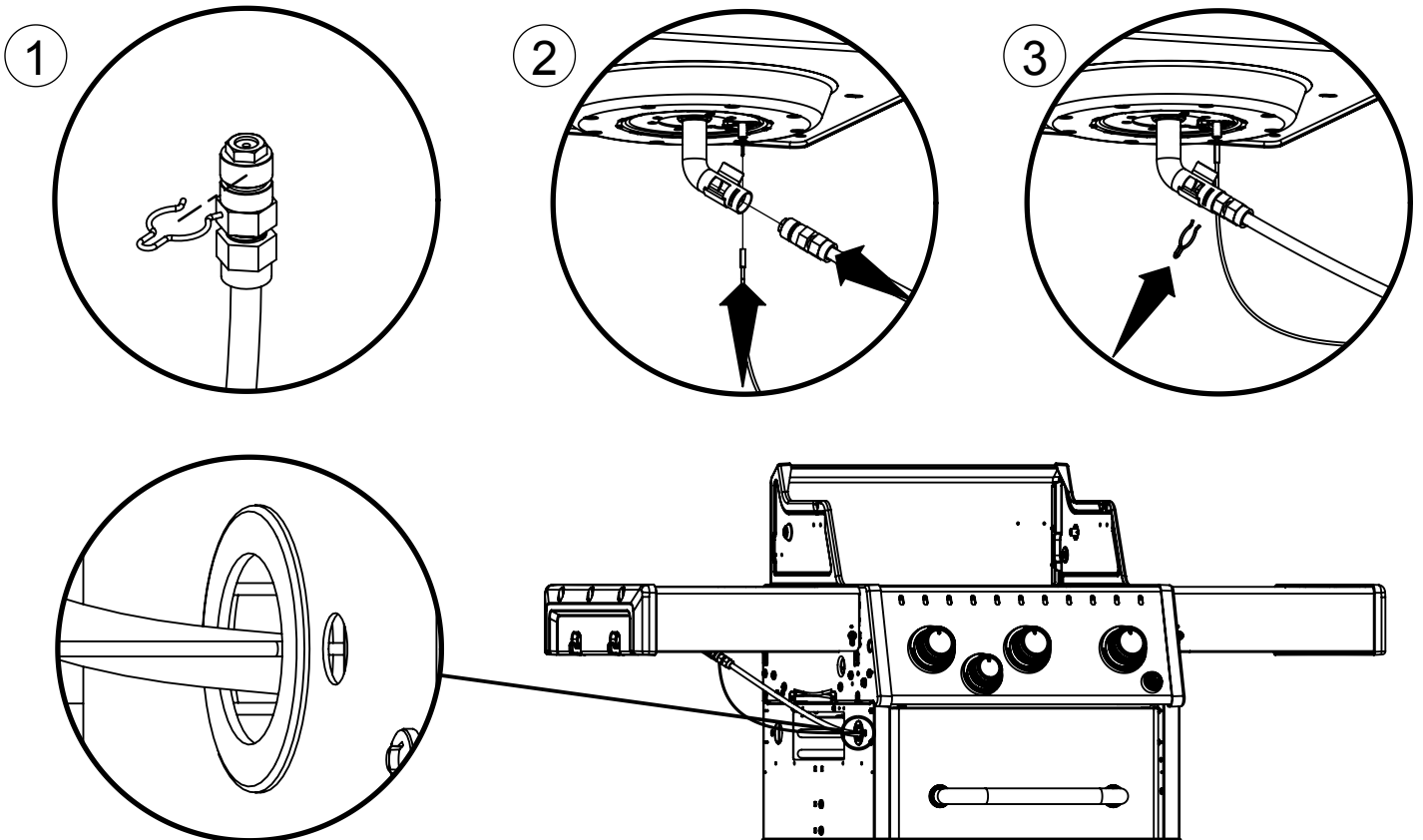
16

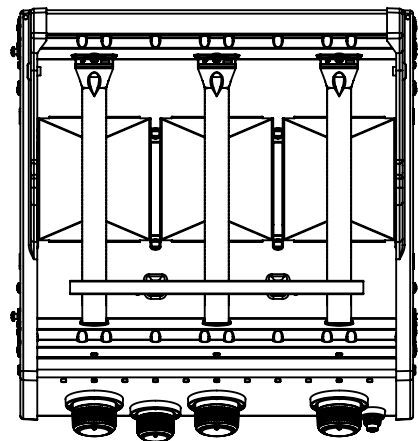
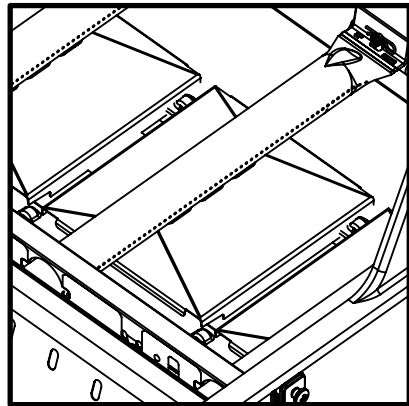
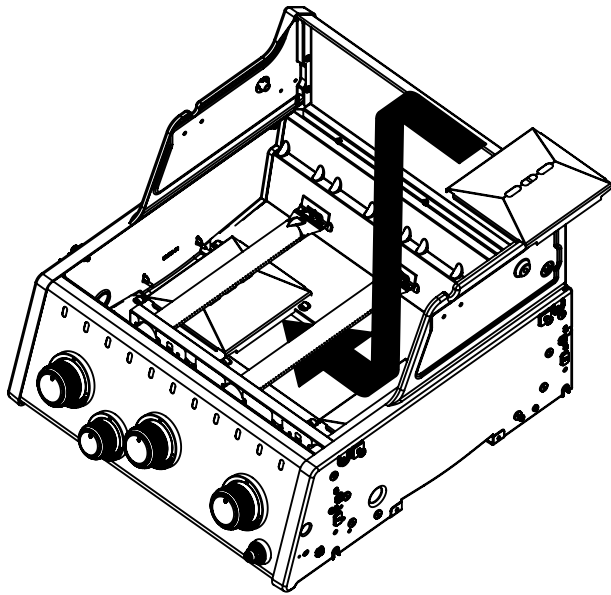
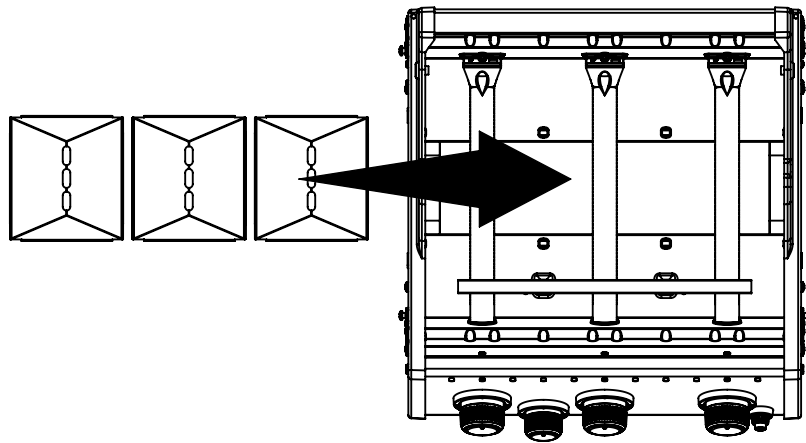
(4) 



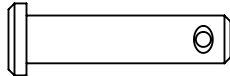
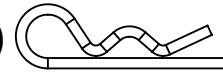
17

(1) 

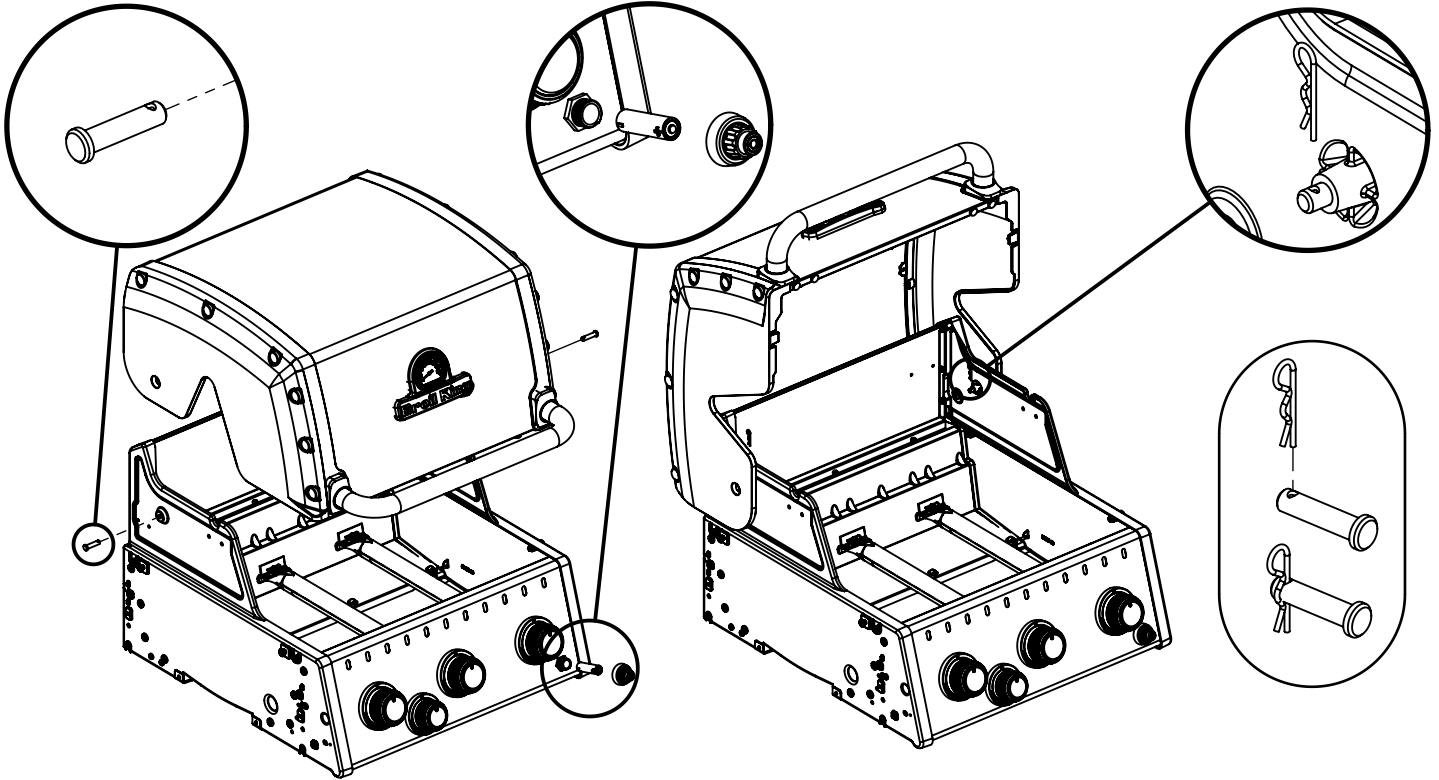




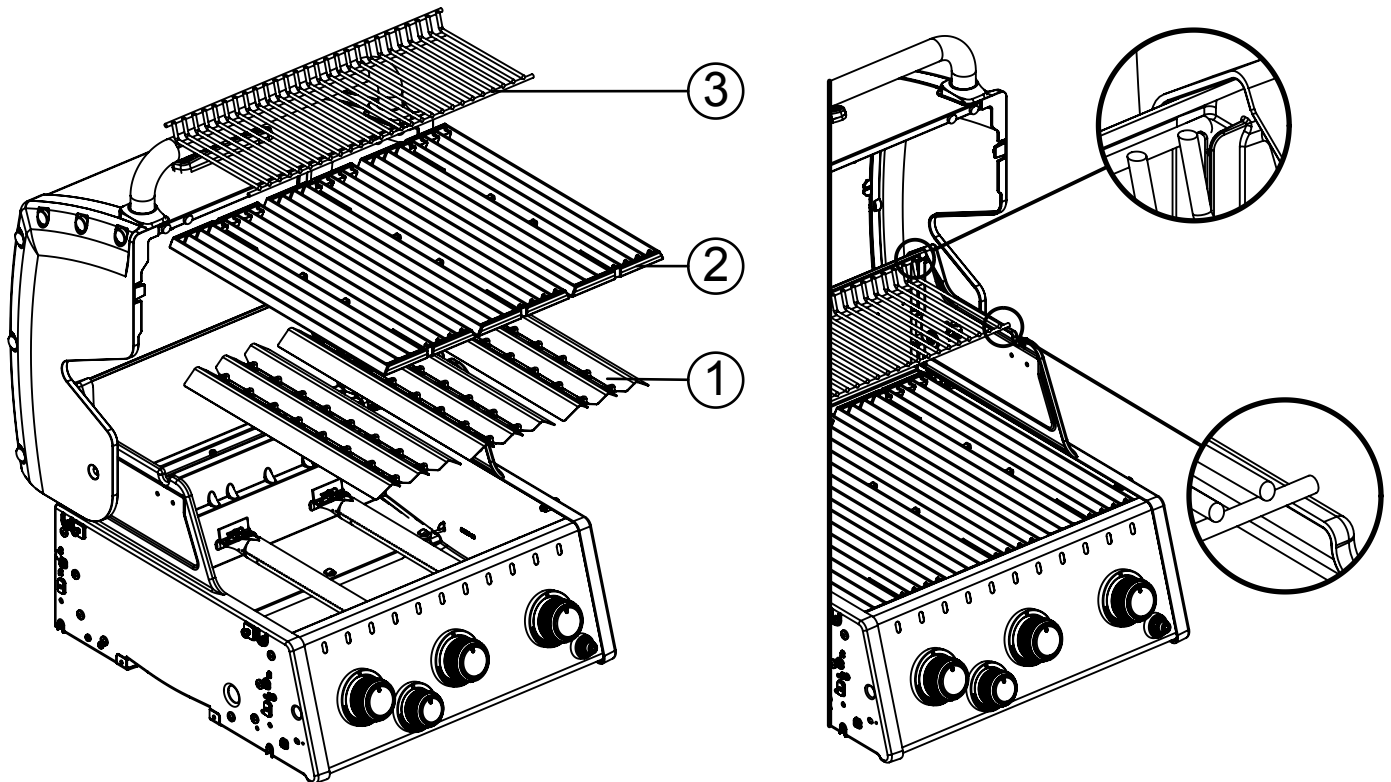
19

(2)  (2) 

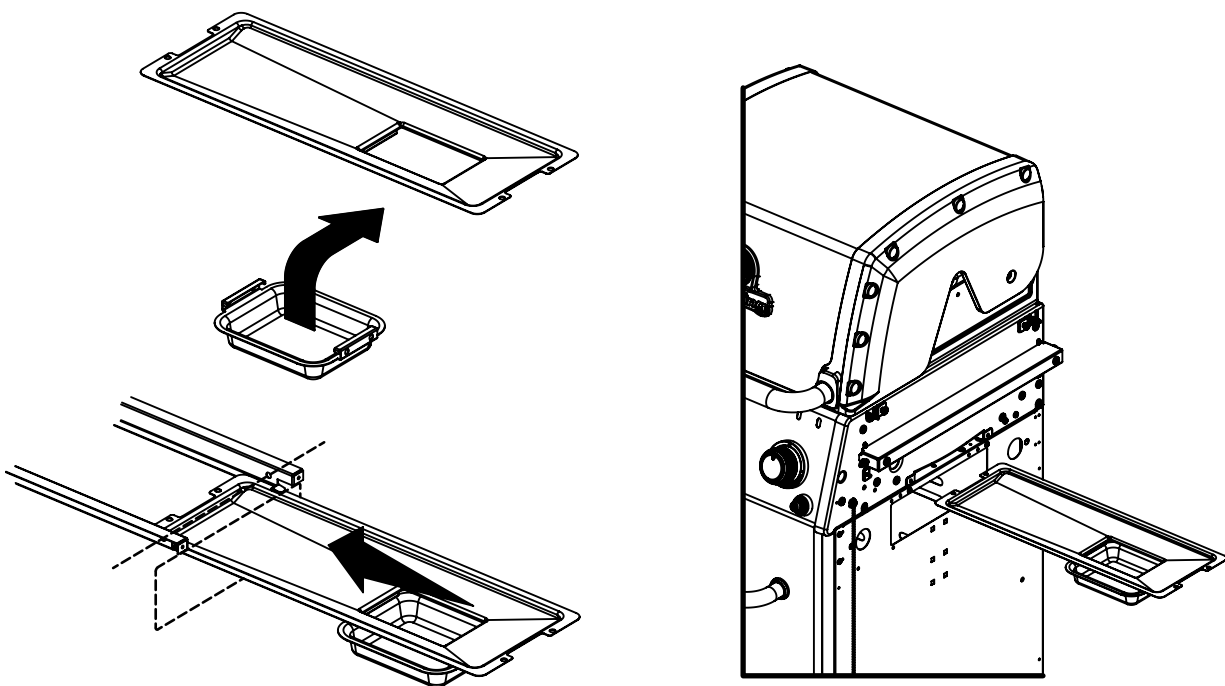
(1) 



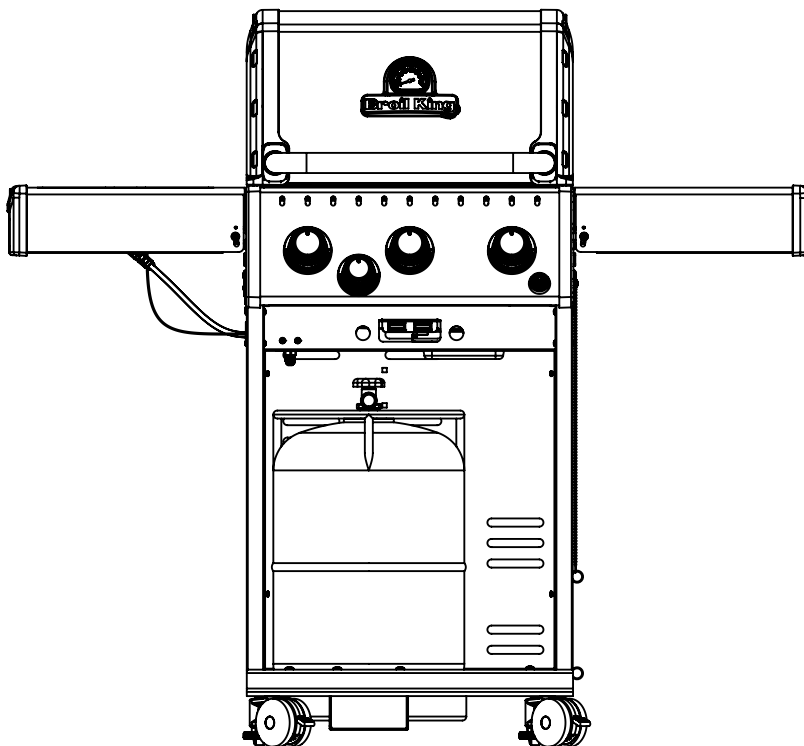
20

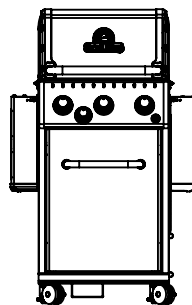
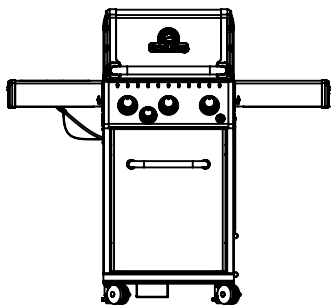


21

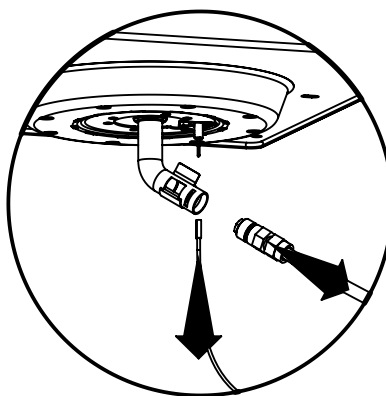
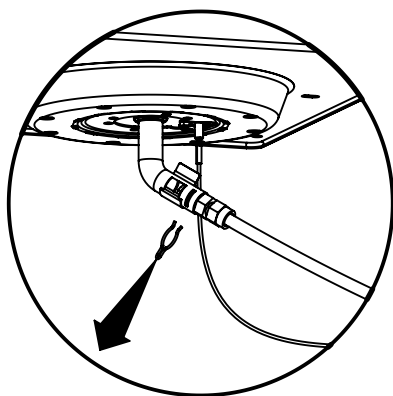


22

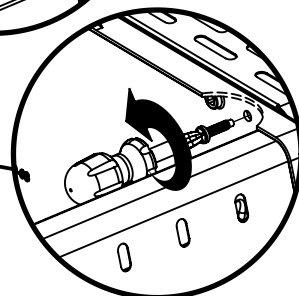
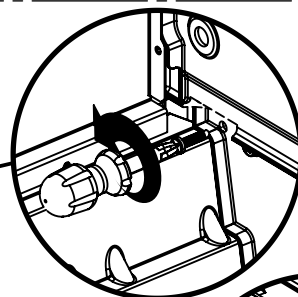
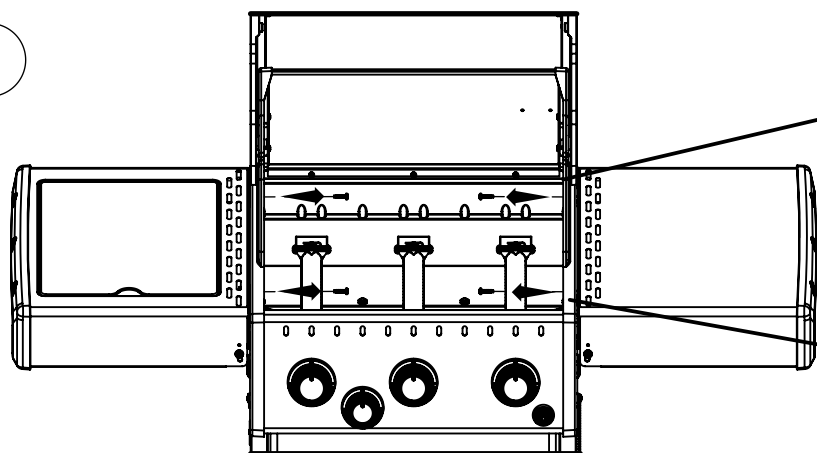




1



2



3

