

Broil King®



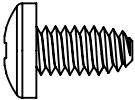
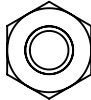
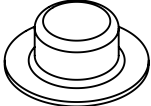
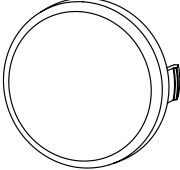
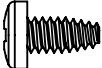
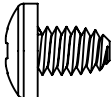
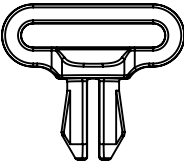
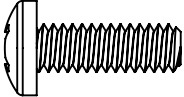
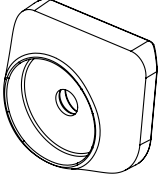
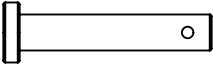



Broil King.

GEM 340
9523-62
9523-63

Onward
SINCE 1906
MANUFACTURING COMPANY
585 KUMPF DRIVE LIMITED
WATERLOO, ONTARIO, CANADA
N2V 1K3

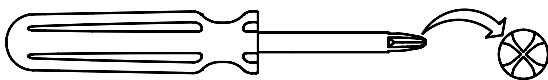
10084-E52EU REV C 09/16

HARDWARE INCLUDED

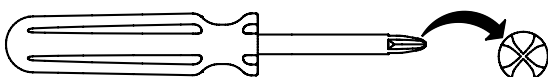
Y-12865		X4	Y-11793		X4
S21420		X2	32001-152		X2
Y-29304		X4	Y-12855		X10
Y-12673		X2	Y-12310		X2
34000-336		X2	32300112		X2
S21233		X2	Y-29307		X2
S21124		X4			

TOOLS REQUIRED

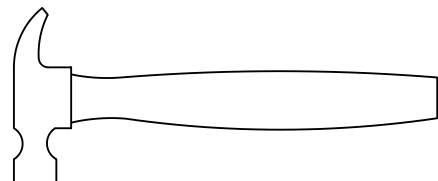
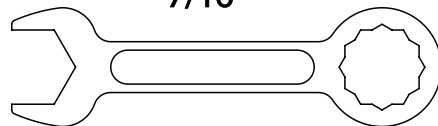
#2 PHILLIPS



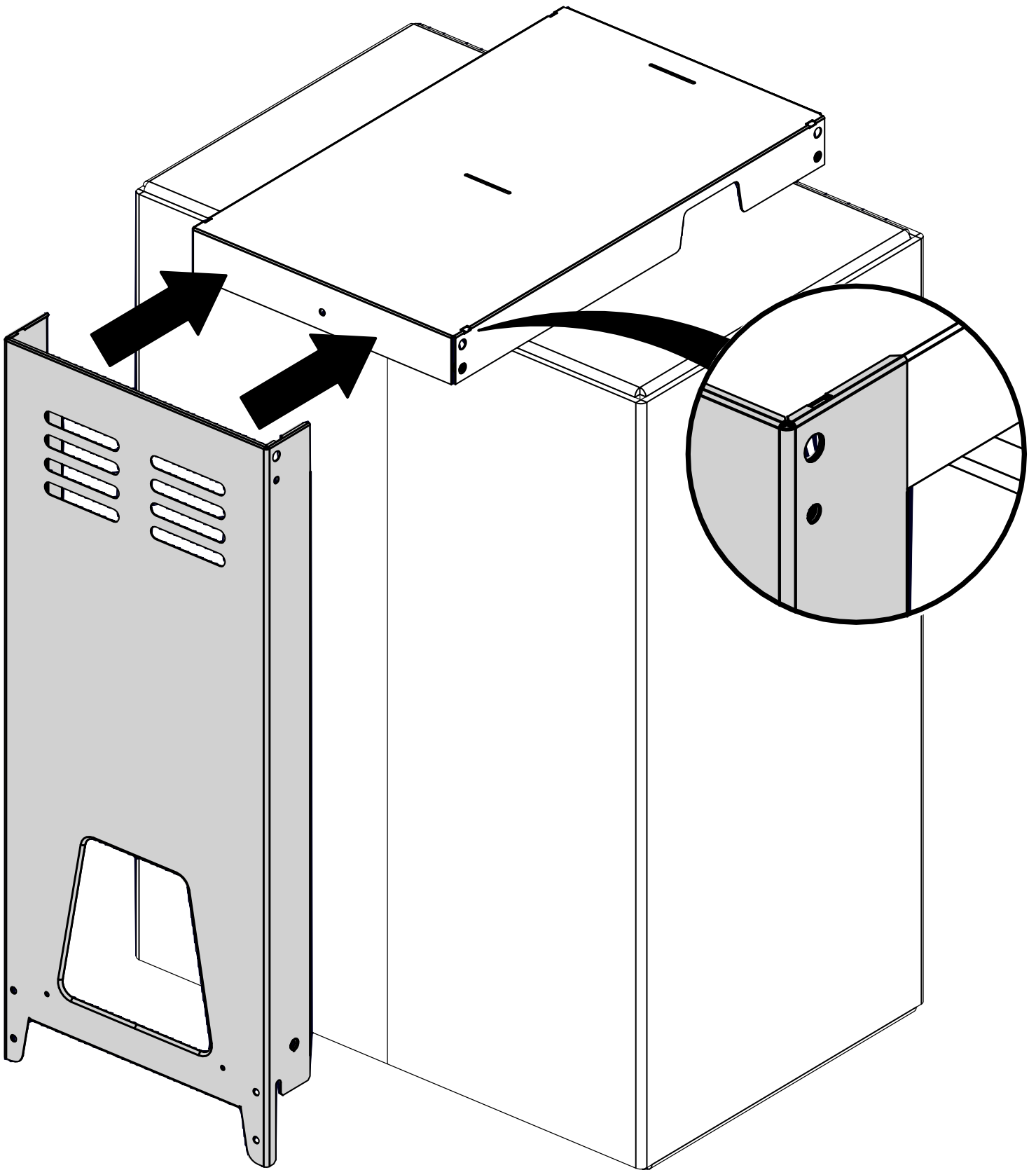
#3 PHILLIPS



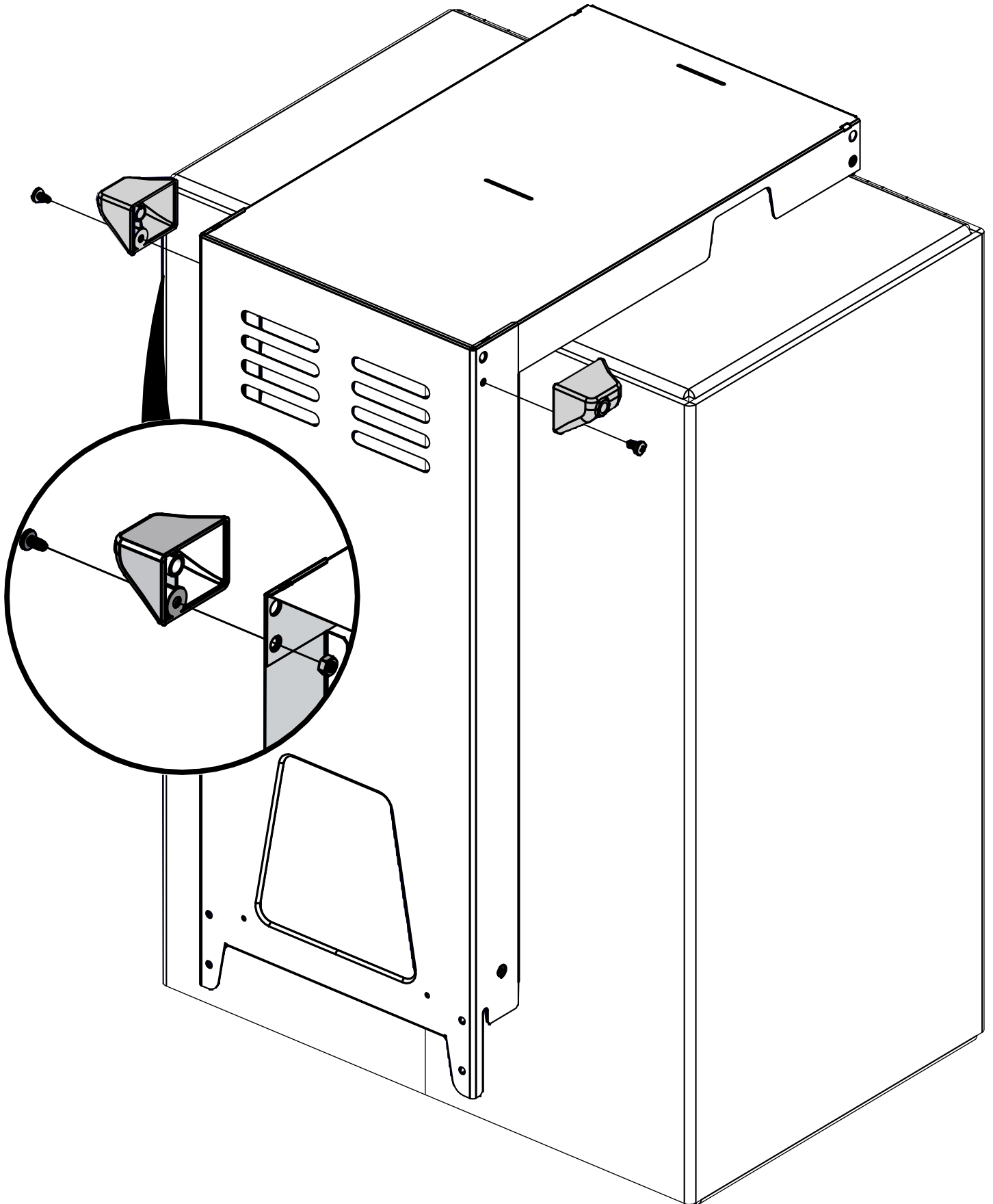
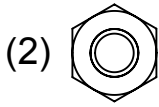
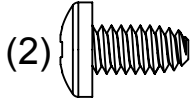
7/16"



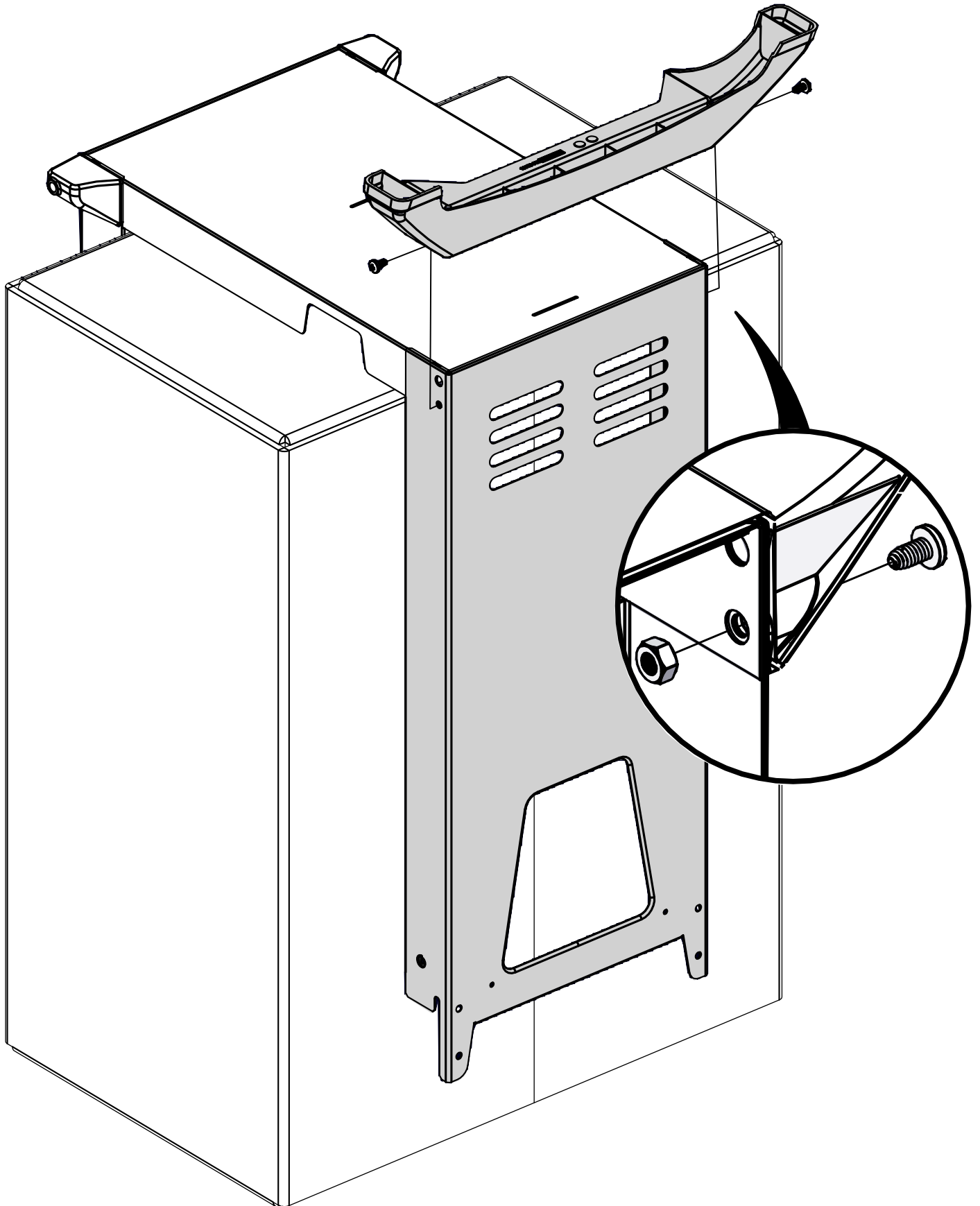
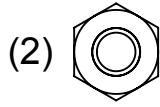
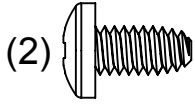
1



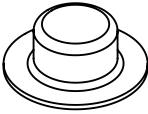
2

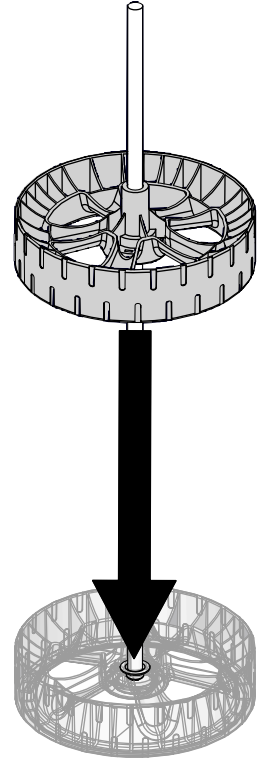
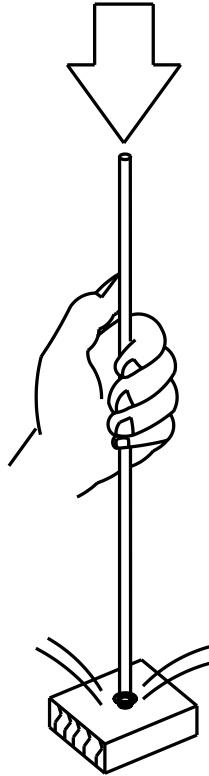
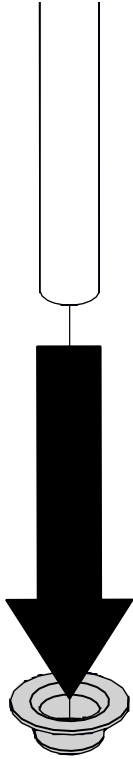


3

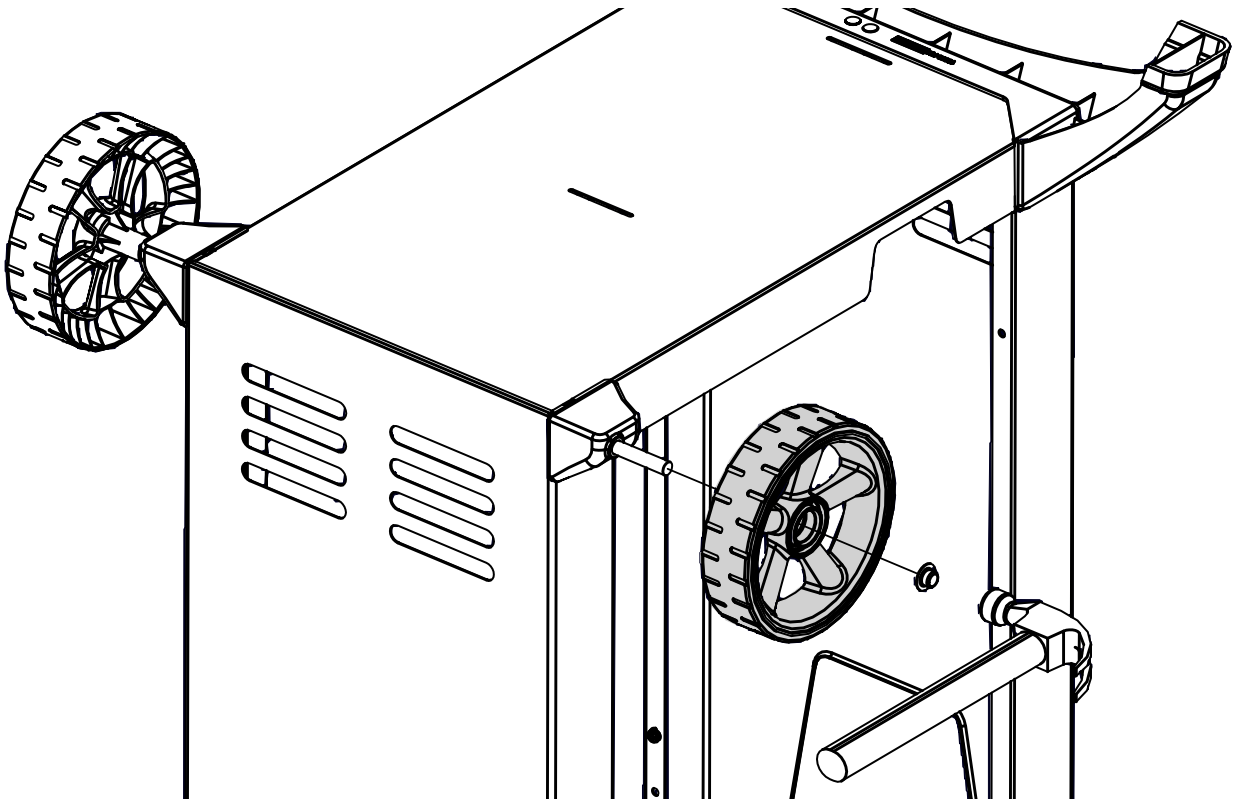


4

(2) 

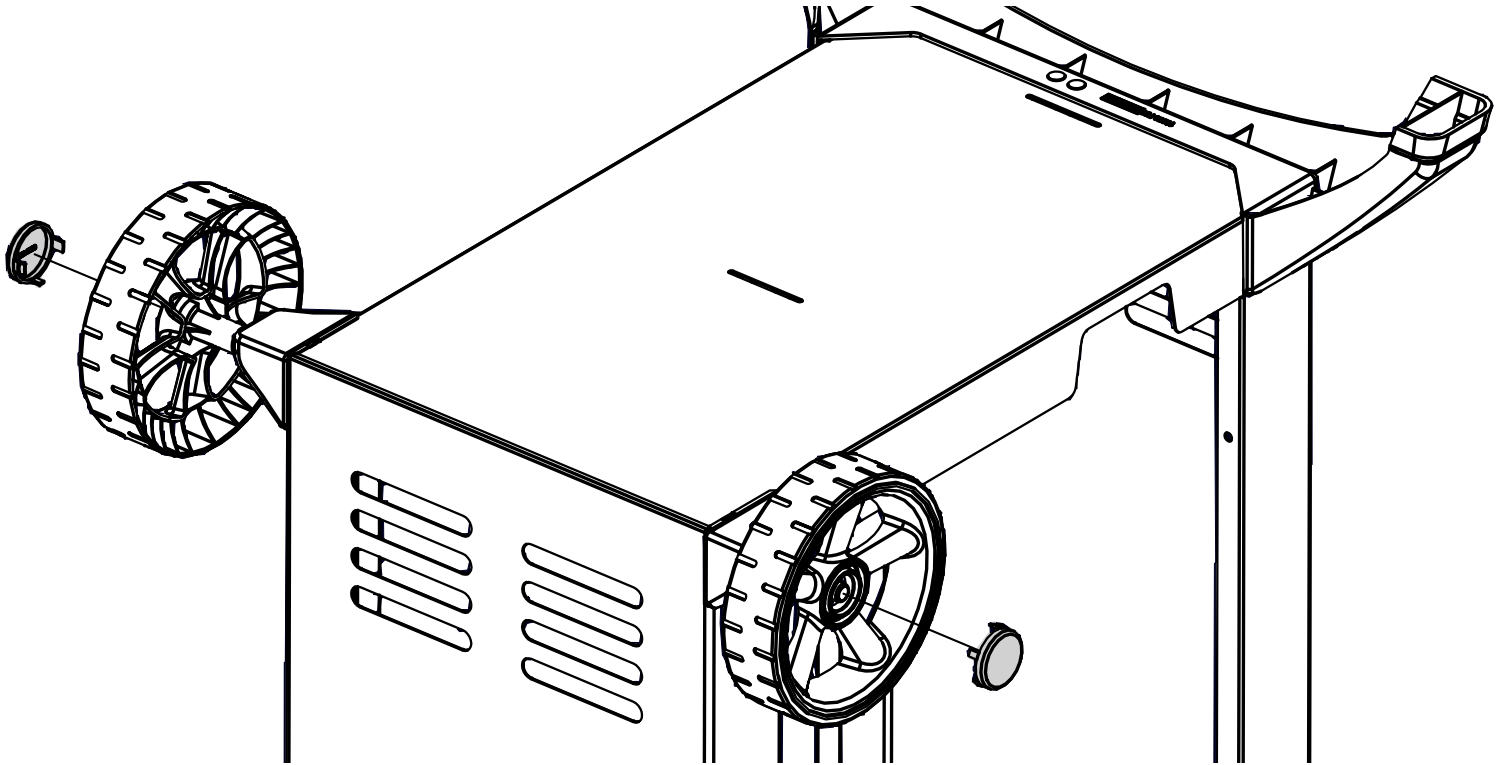
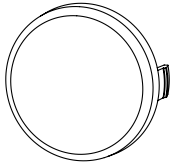


5

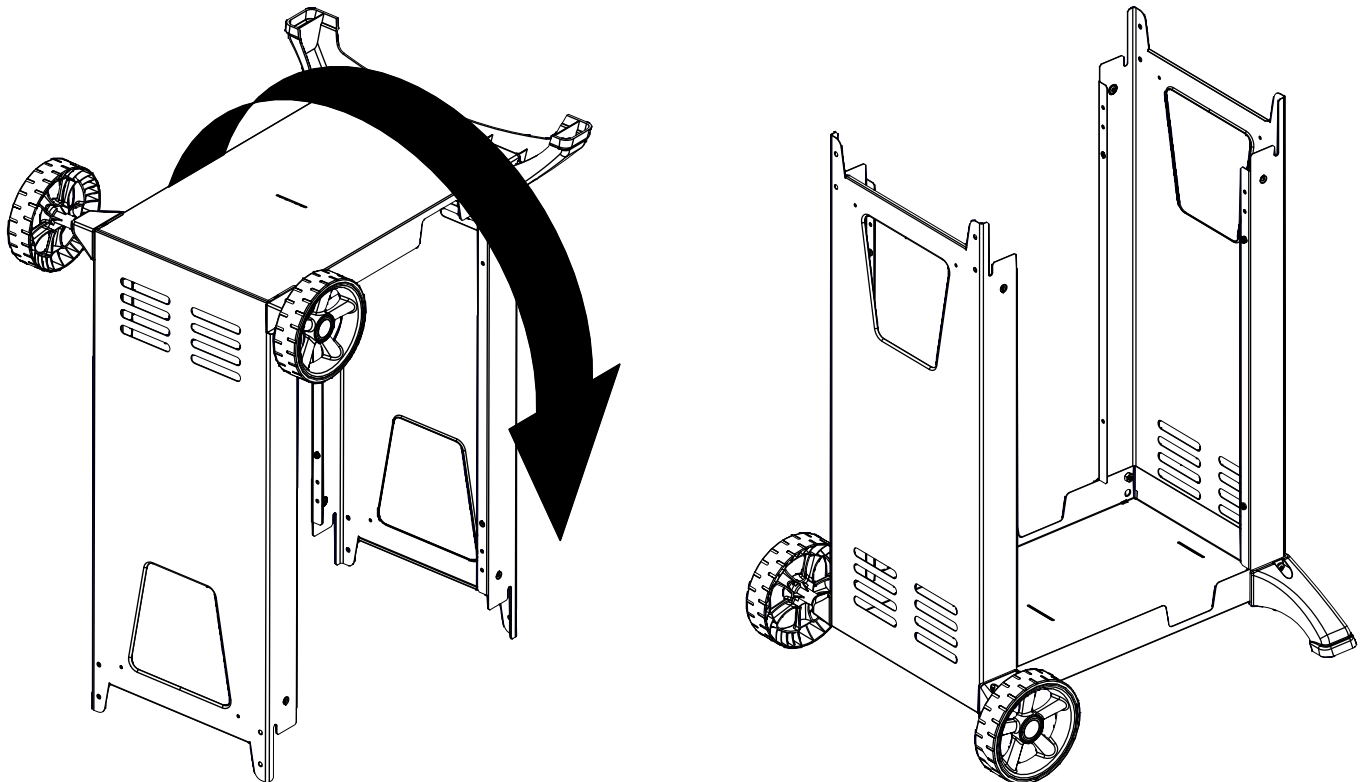


6

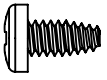
(2)

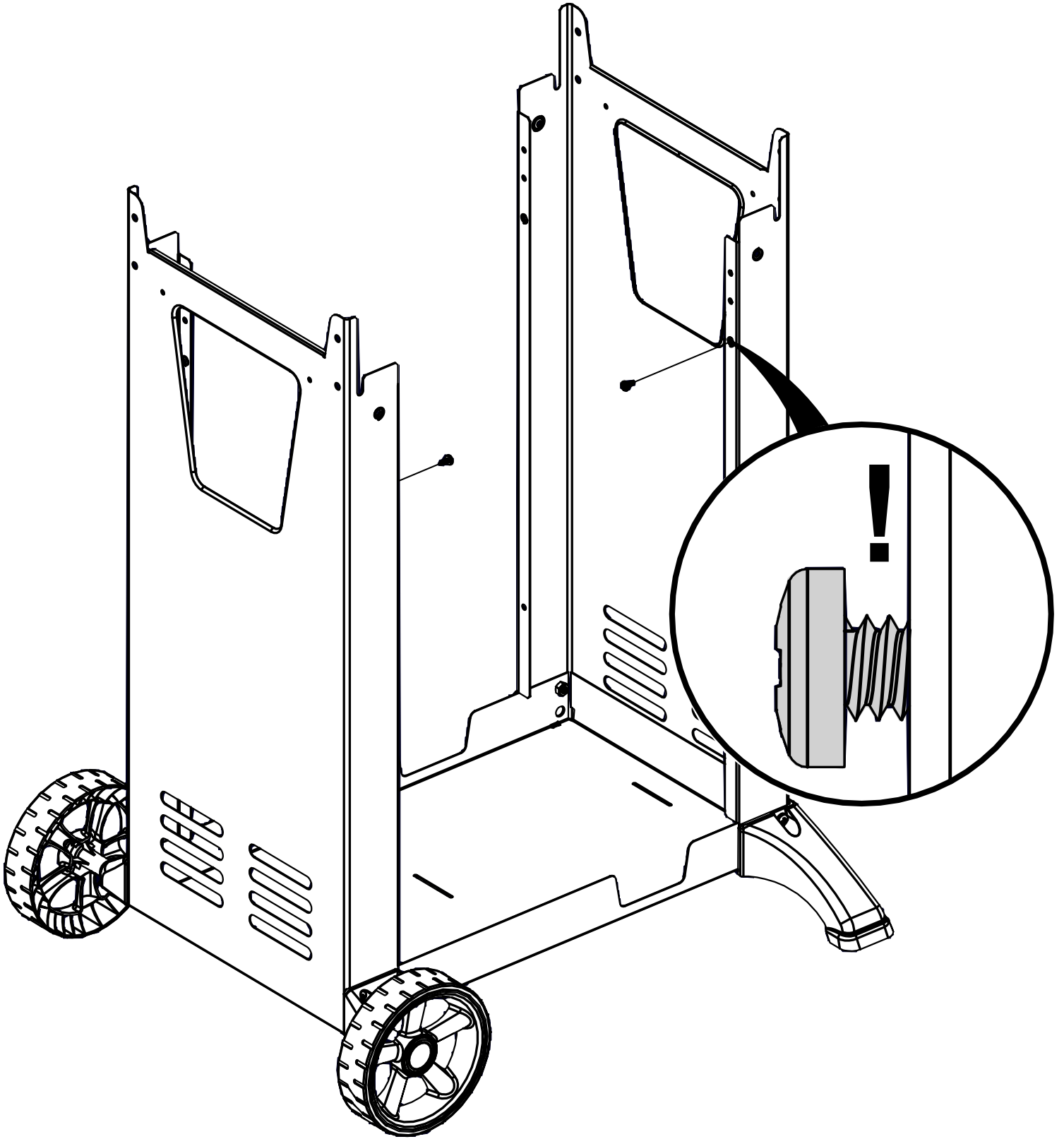


7

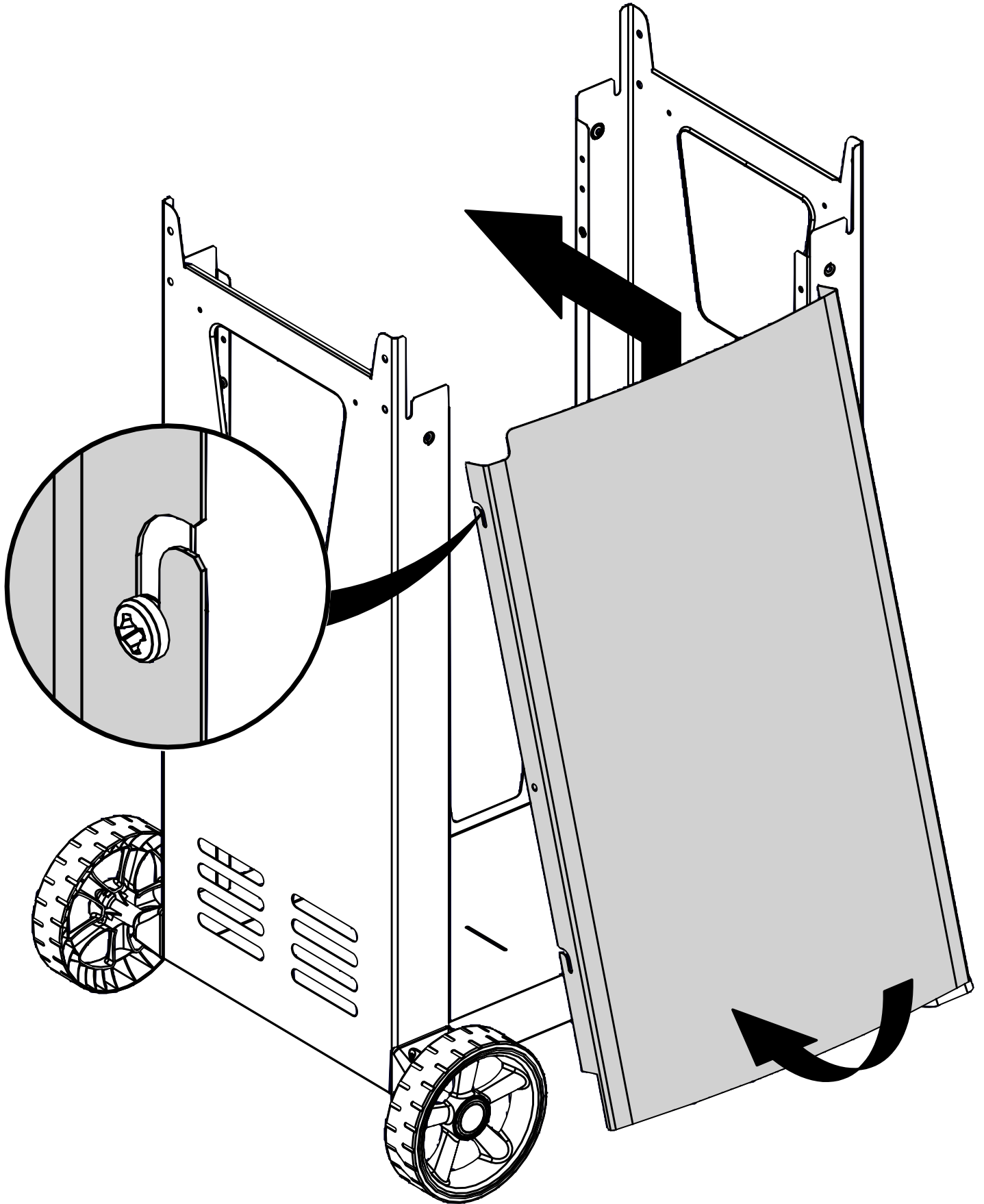


8

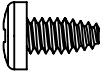

(2) 

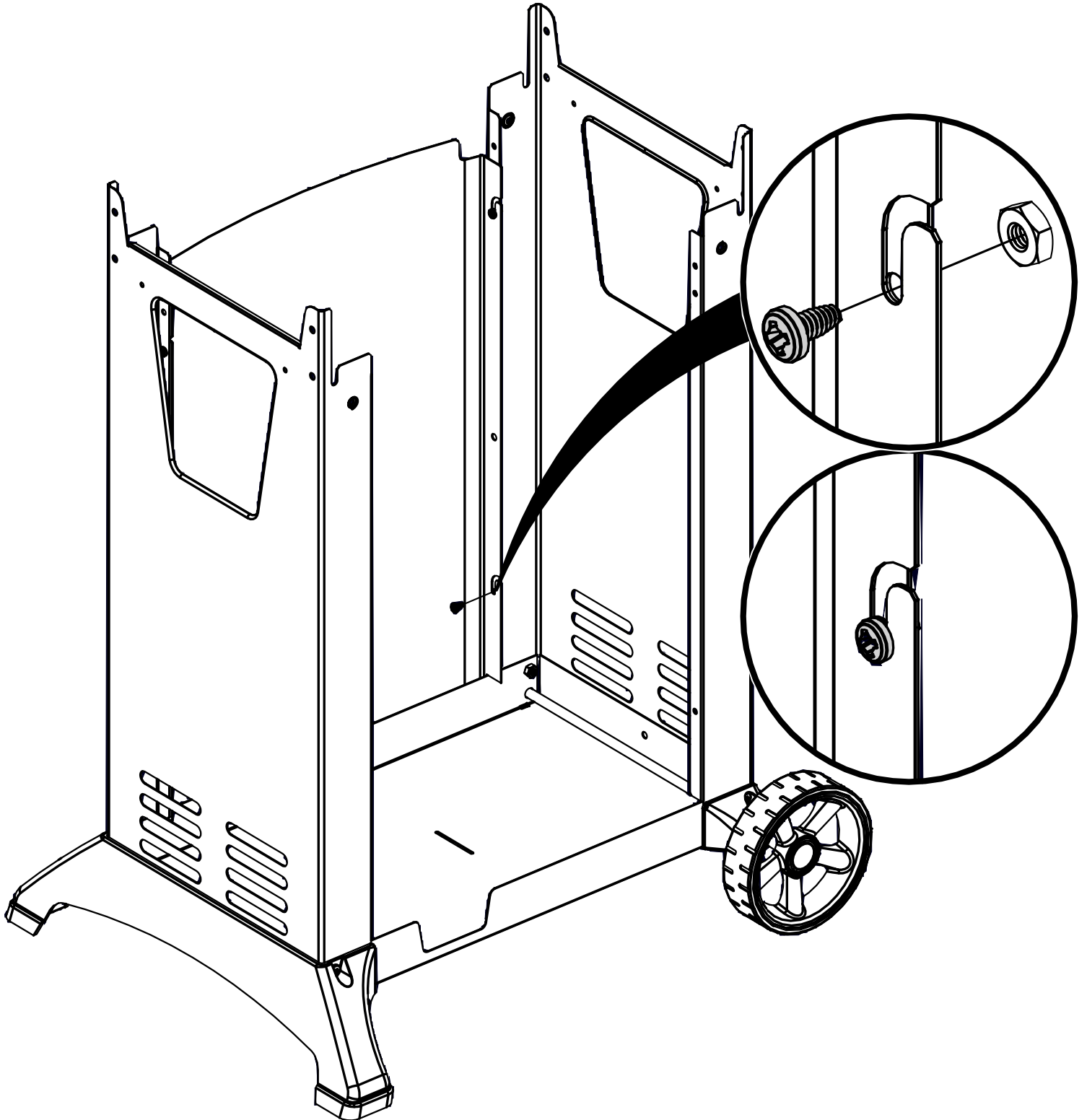


9

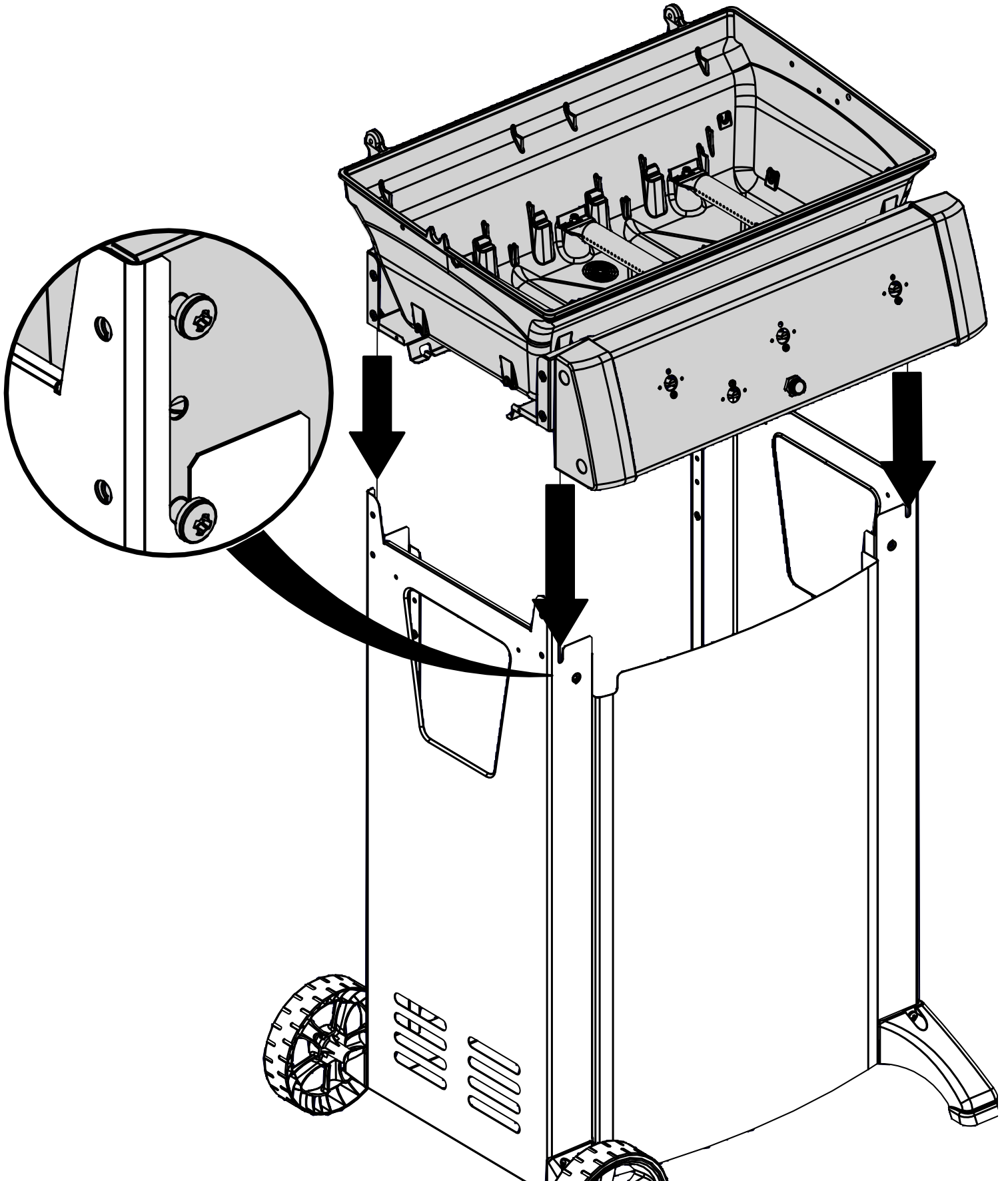


10

(2)  (2) 

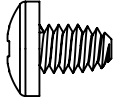


11

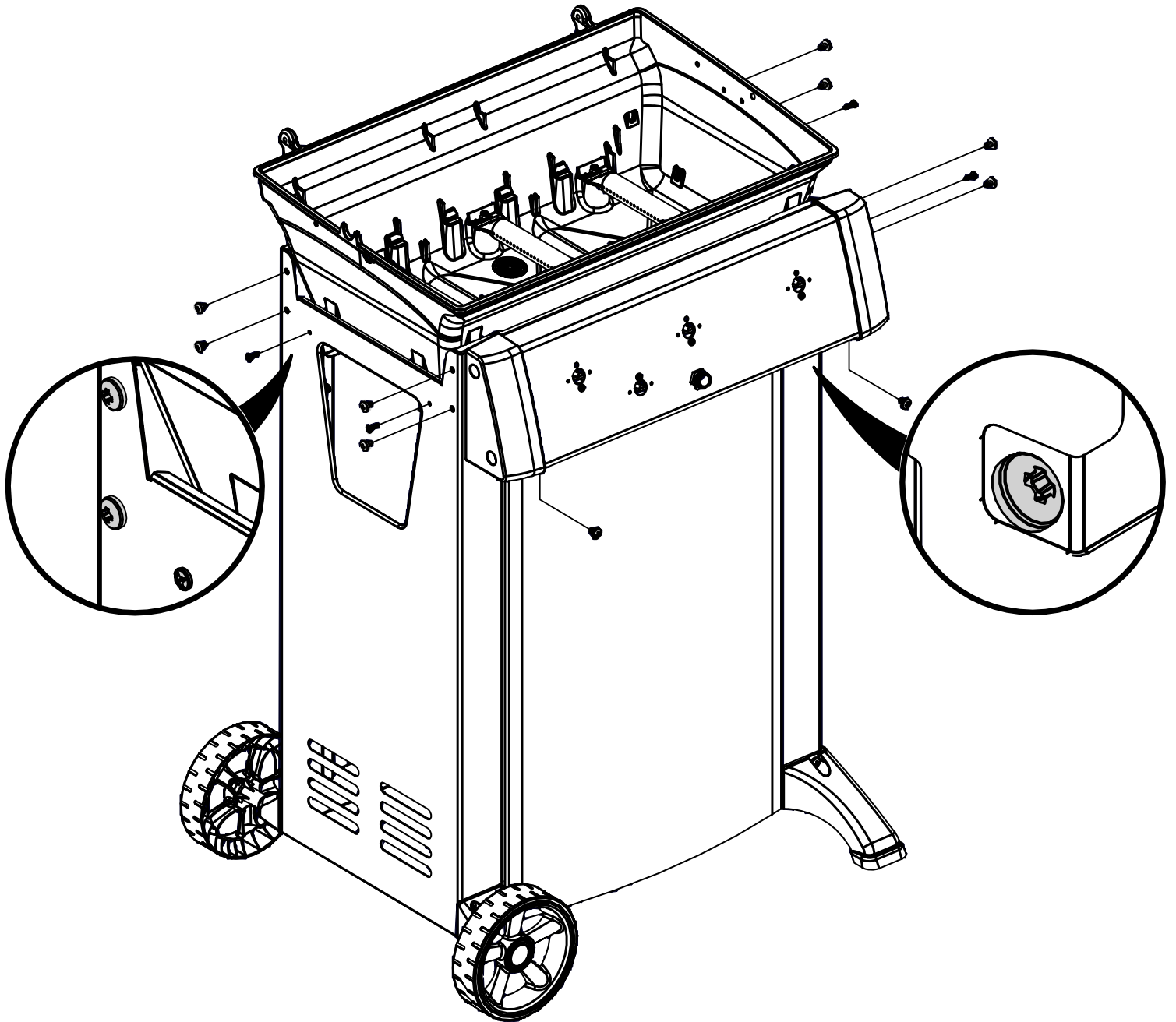


12

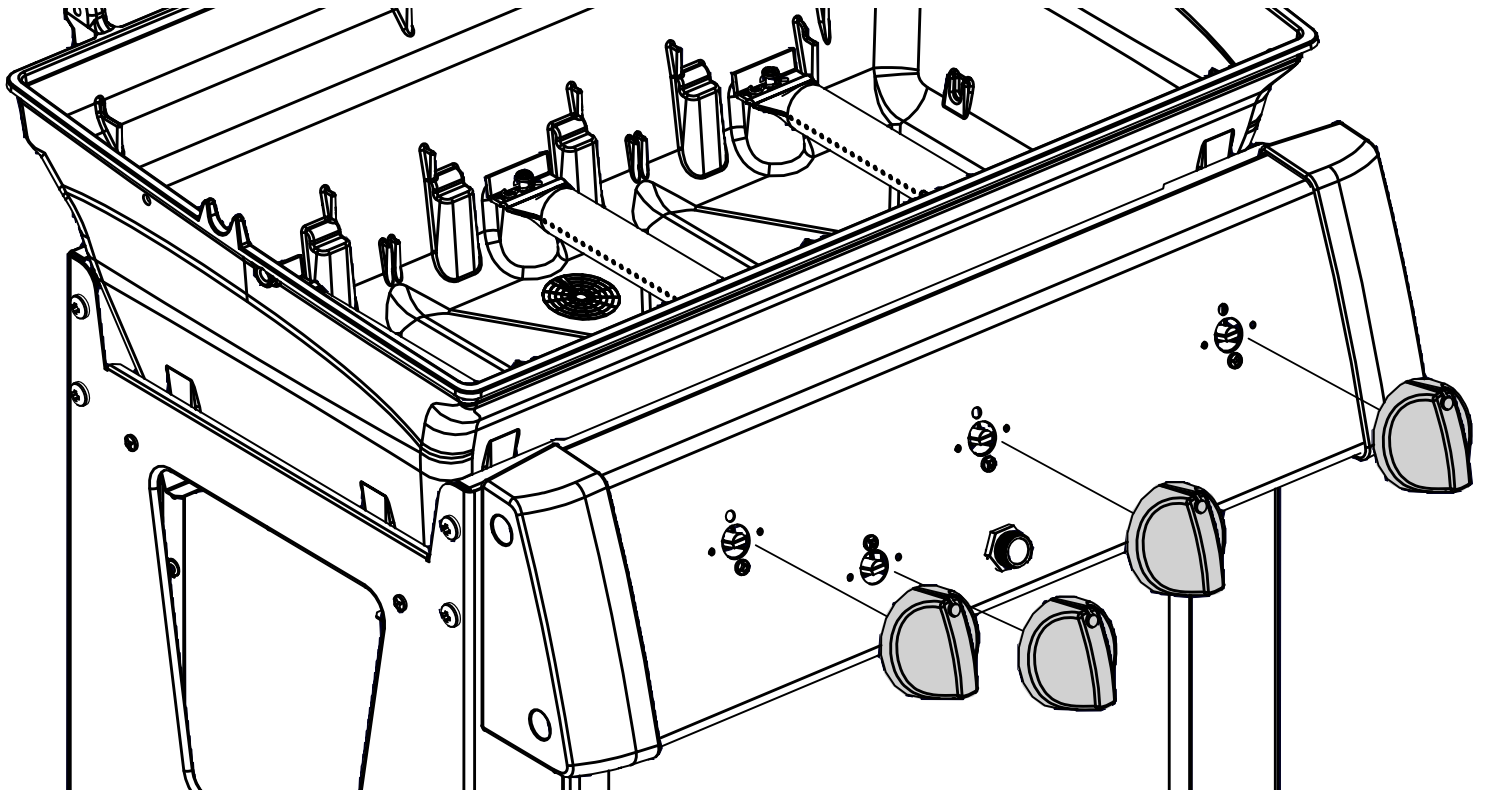
(10)



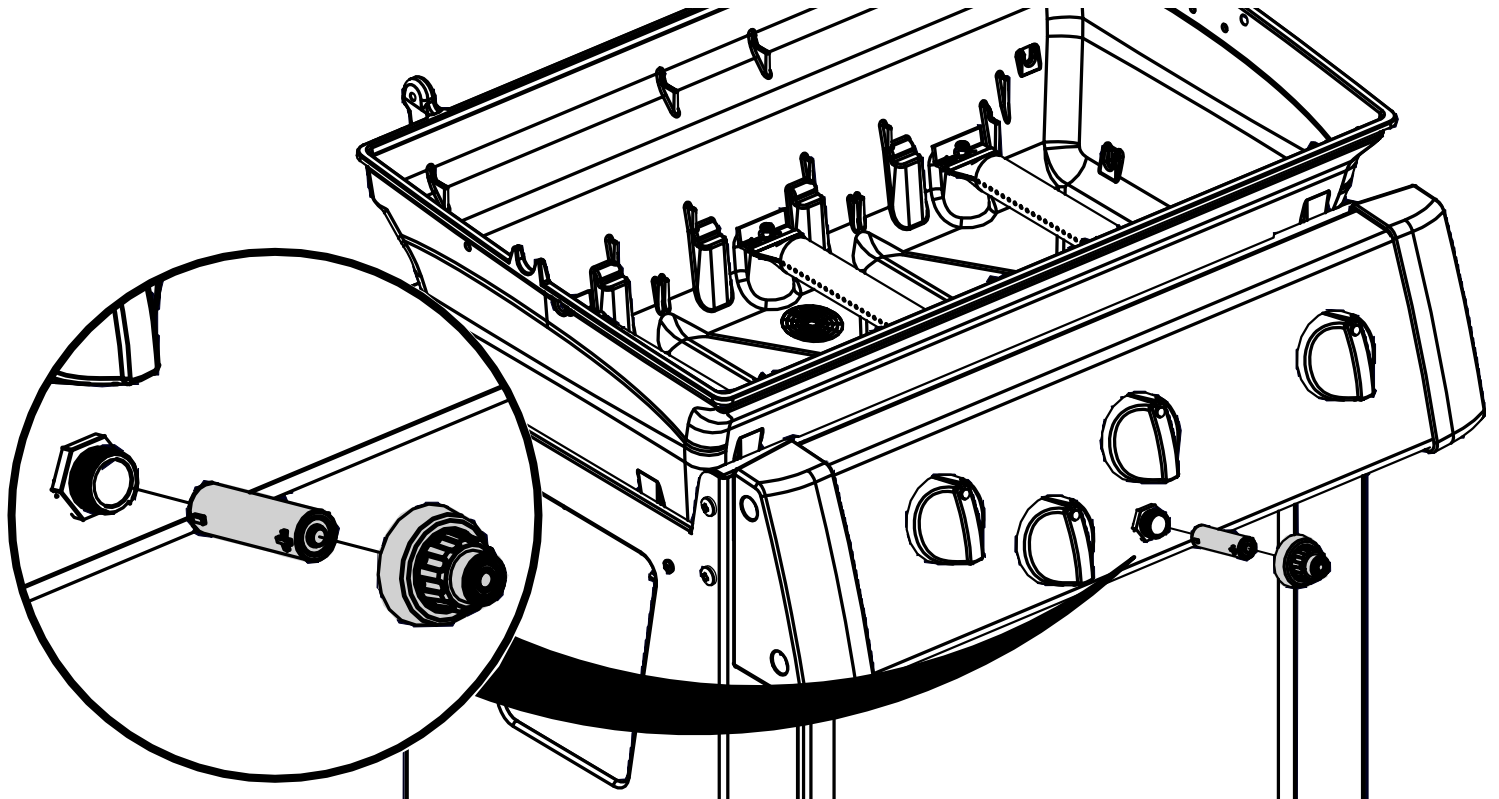
(4)



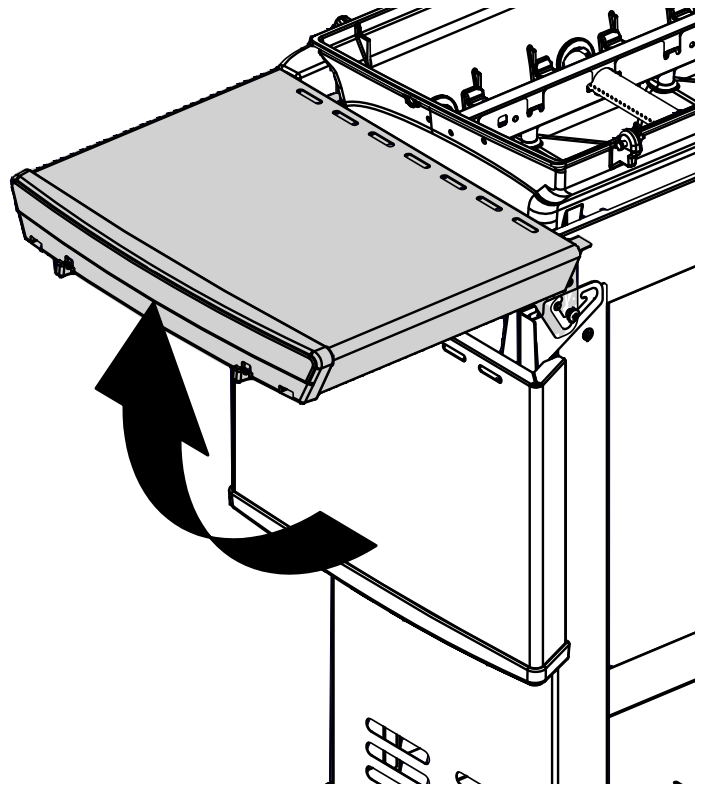
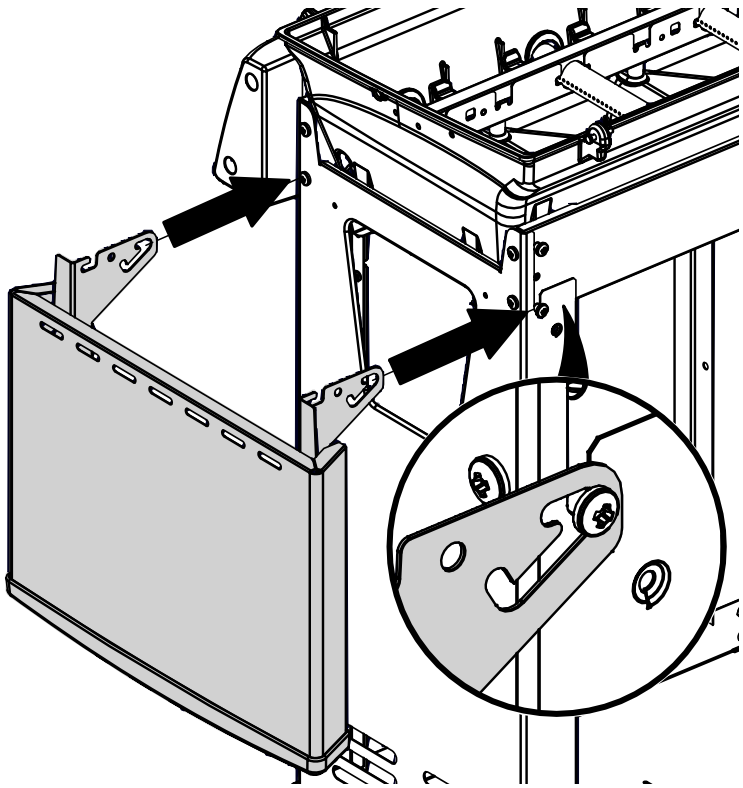
13



14

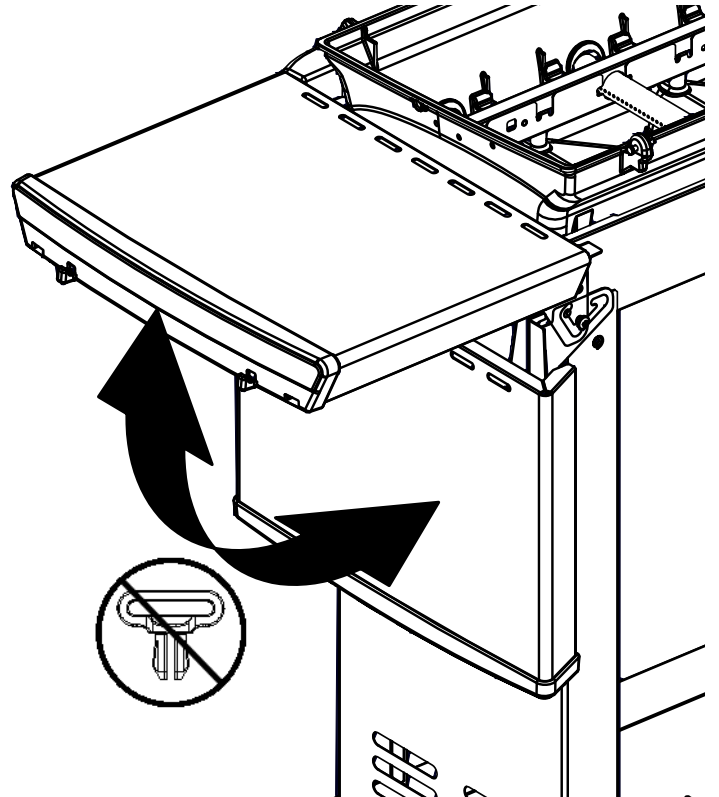
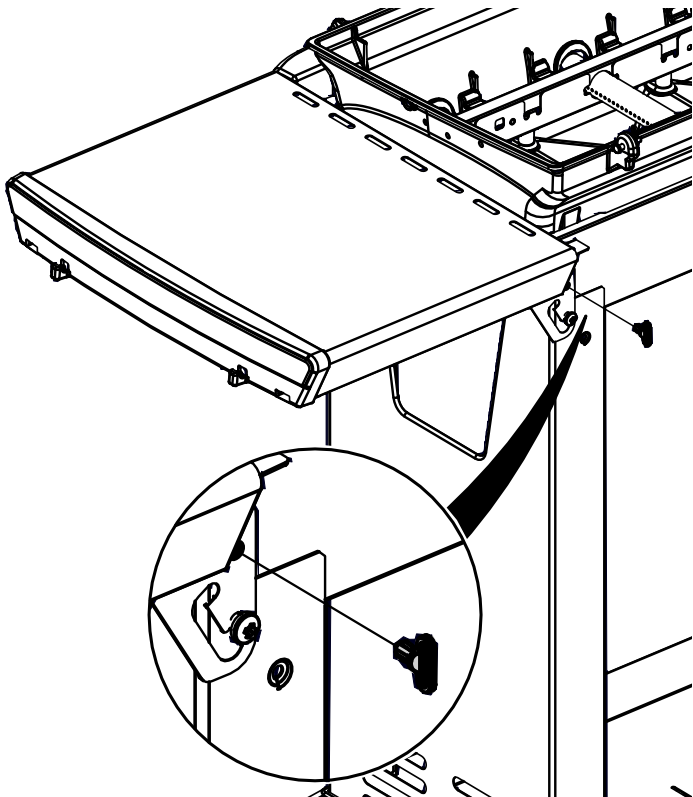
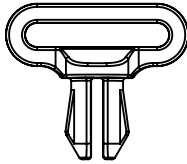


15



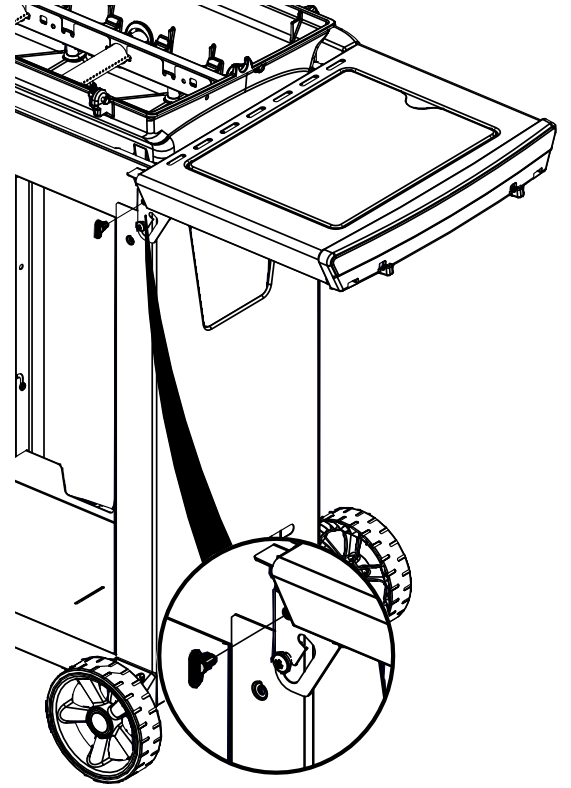
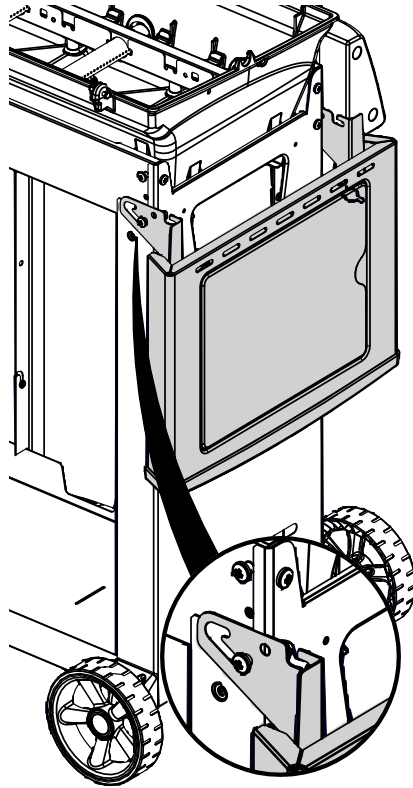
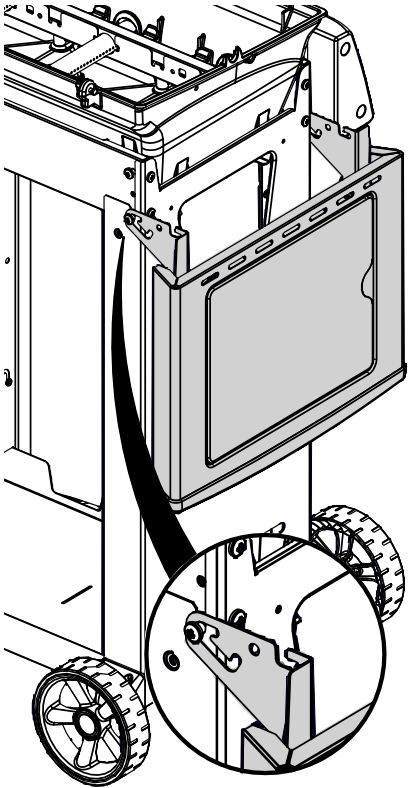
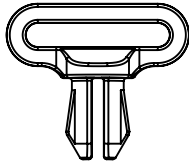
16

(1)



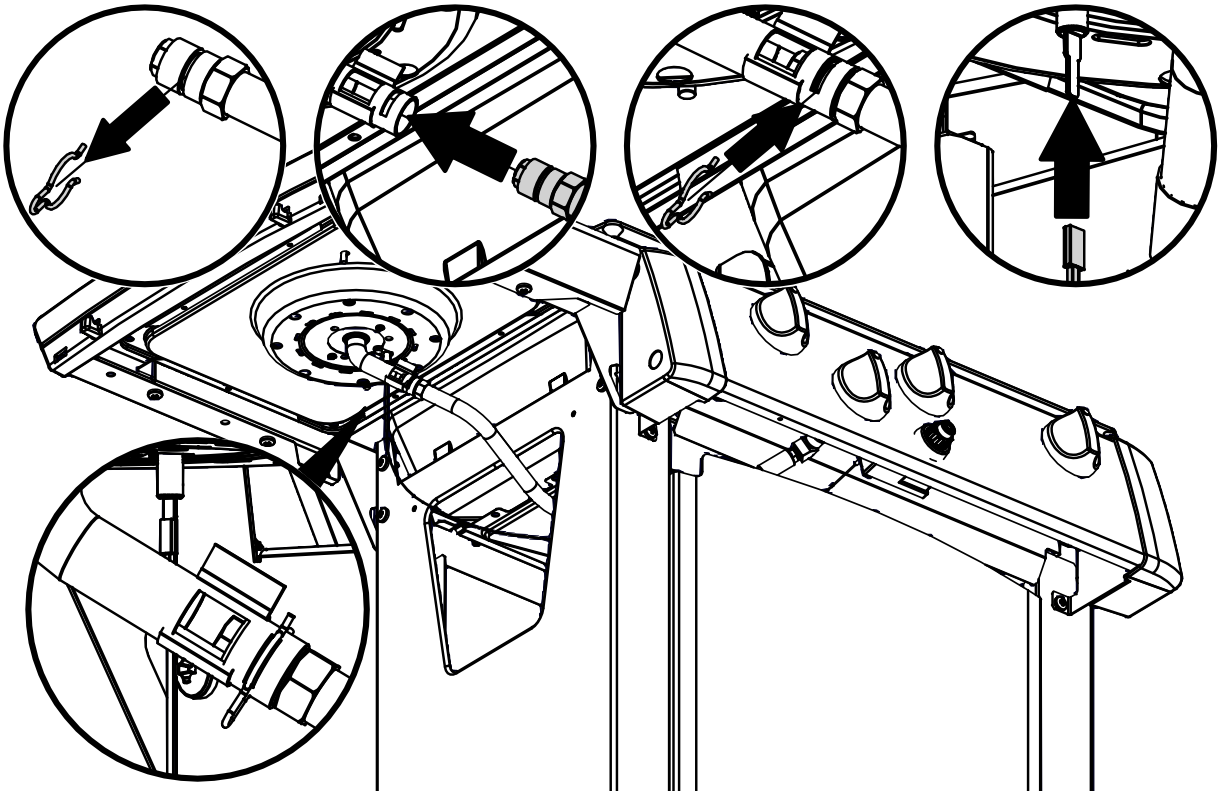
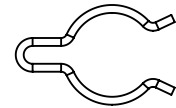
17

(1)

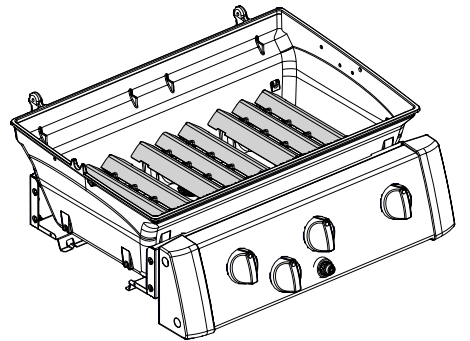
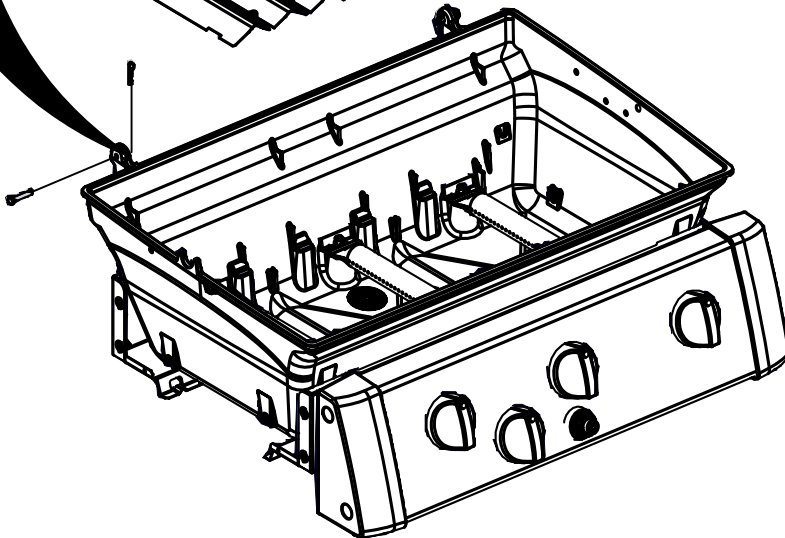
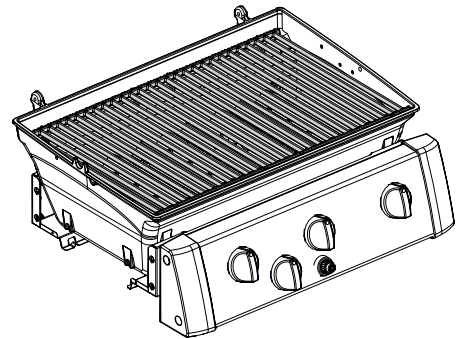
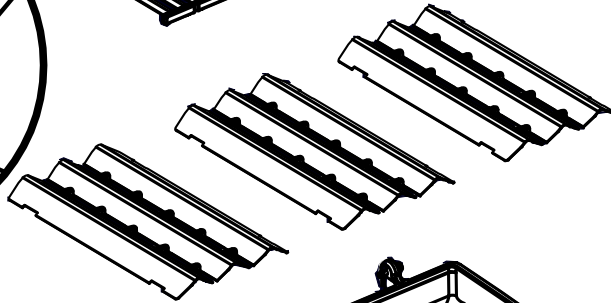
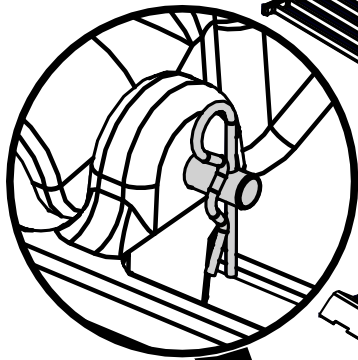
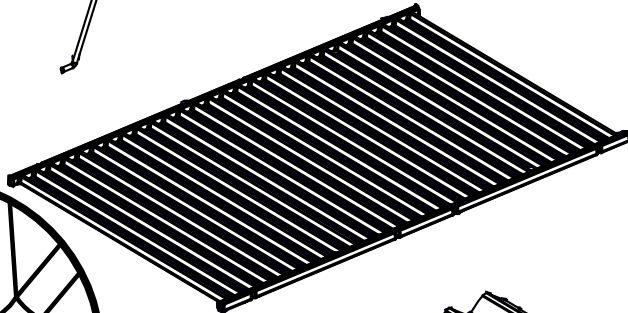
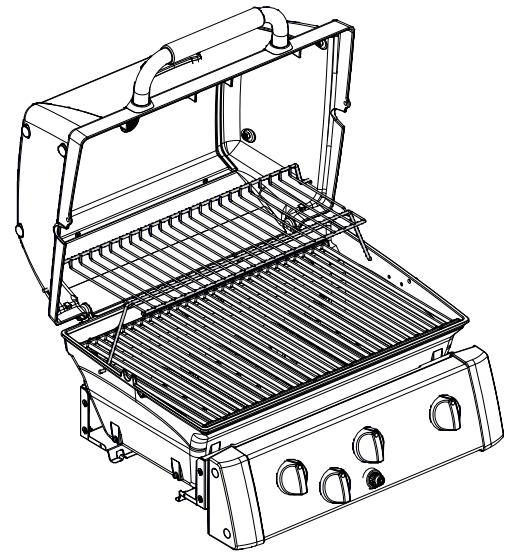
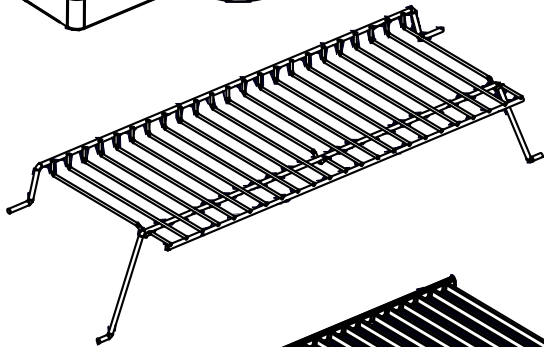
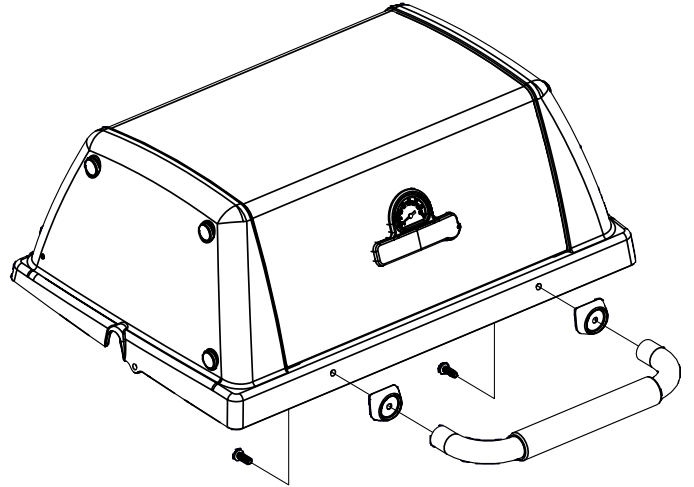
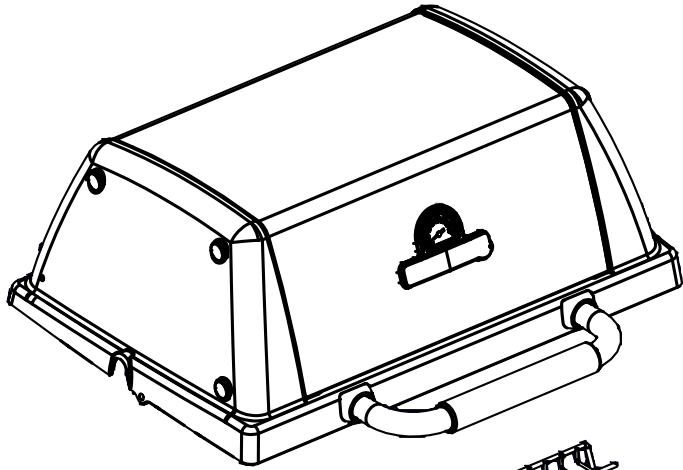
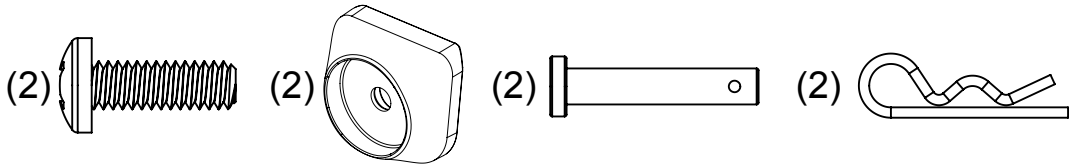


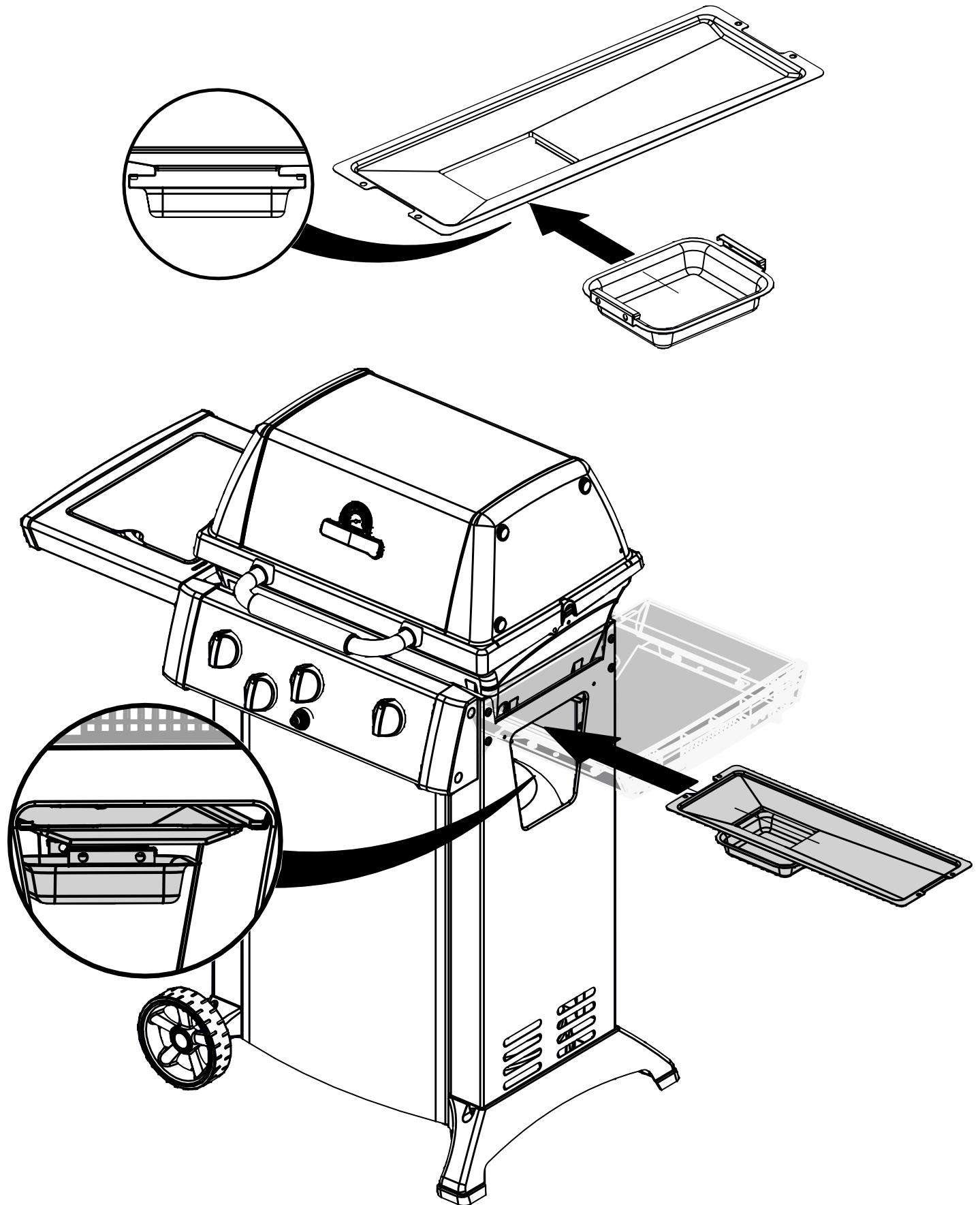
18

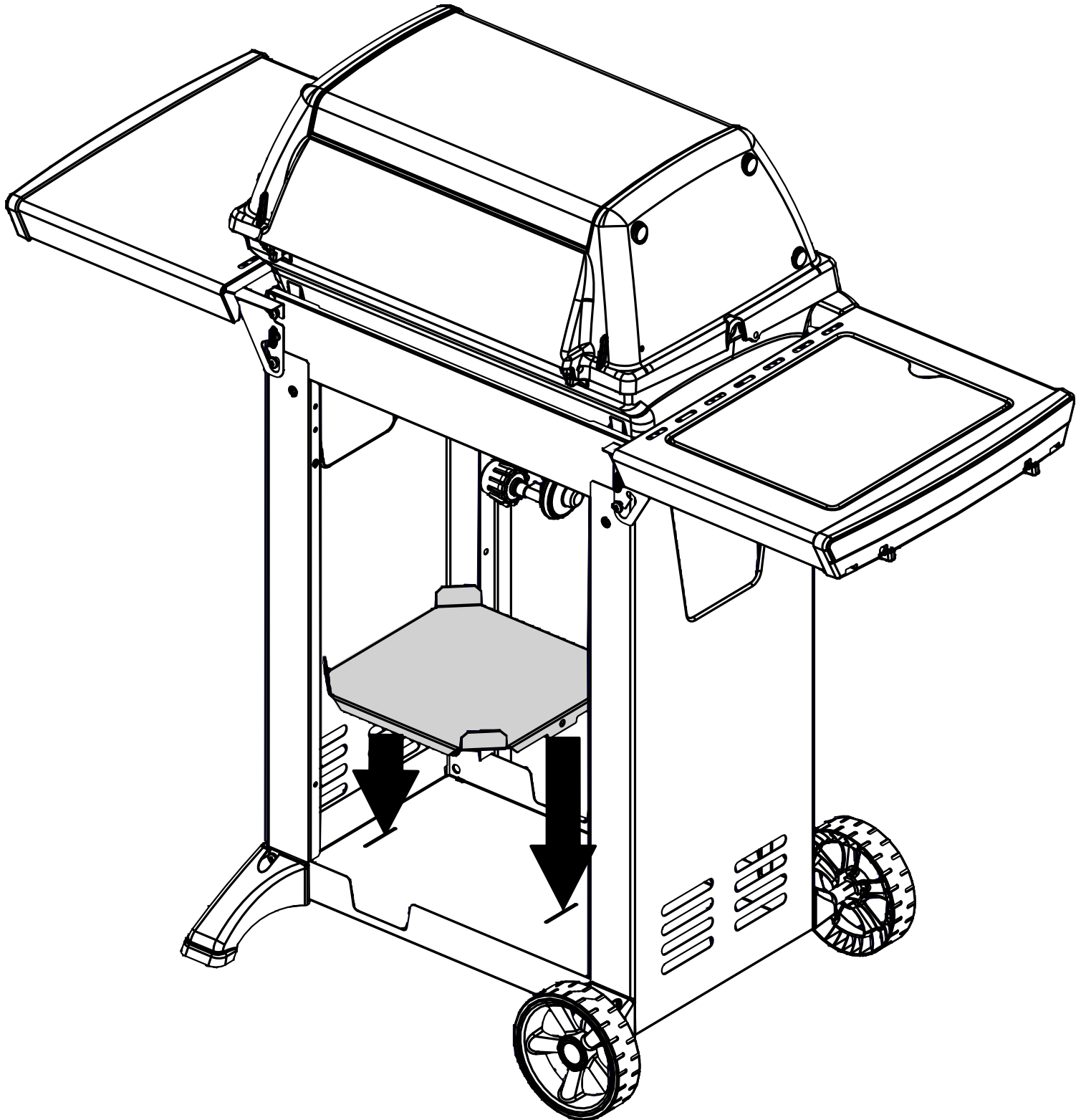
(1)

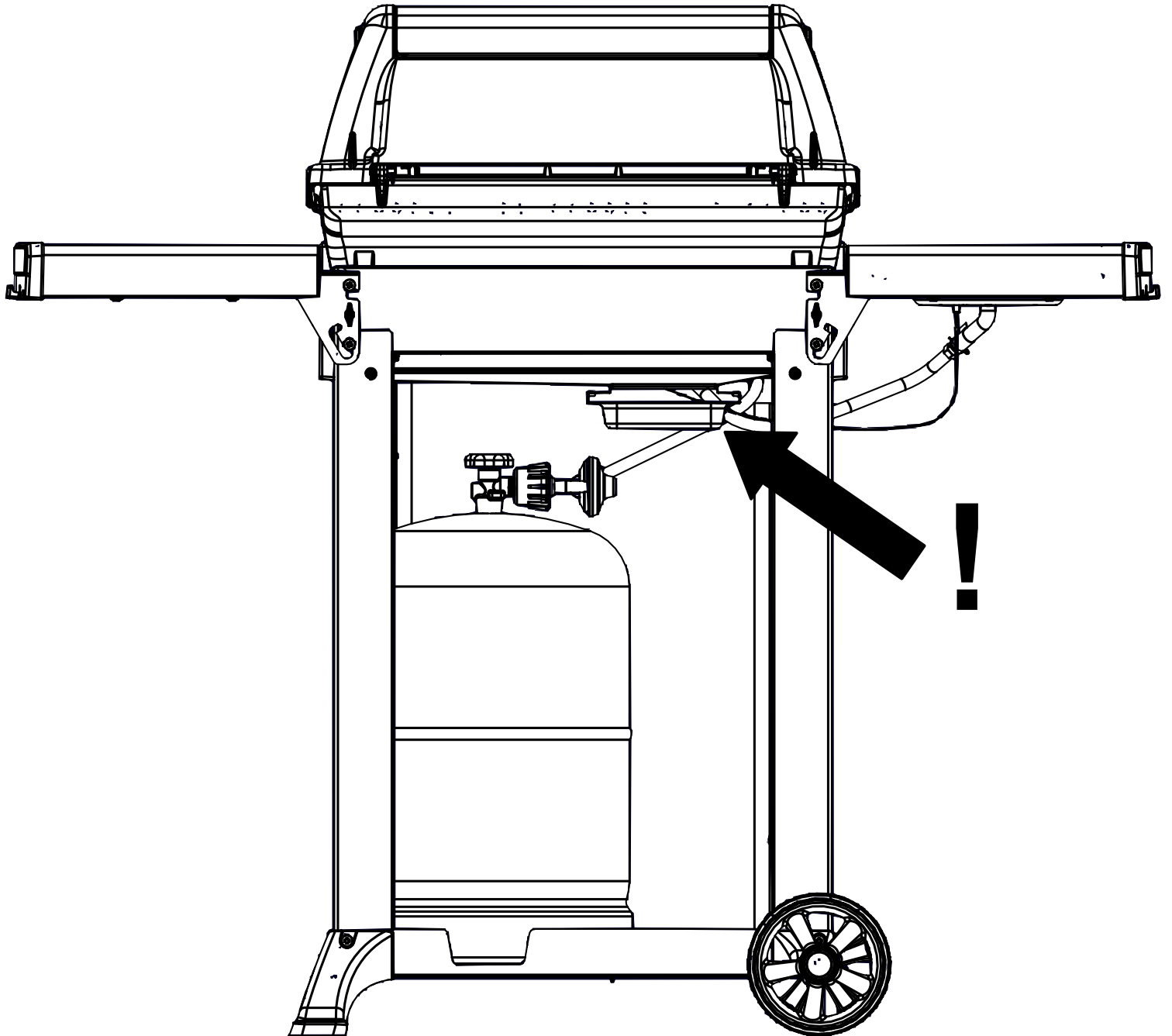


19









PARTS LIST / LISTE DES PIECES

<u>KEY #</u>	<u>ITEM #</u>	<u>DESCRIPTION</u>	<u>9523-62</u>	<u>9523-63</u>
1	10909-E33	CASTING BOTTOM	1	1
2	10473-E33	CASTING TOP	1	1
3	10081-BK530	NAMEPLATE	1	1
4	10958-E334A	LID INSERT PANEL	1	1
5	10571-5	HEAT INDICATOR	1	1
6	32300112	HINGE PIN	2	2
7	S21233	HITCH PIN CLIP	2	2
8	Y-11544	SCREW - BURNER	3	3
9	10225-E300	GRID - PORCELAIN	1	1
10	10222-E304	FLAV-R-WAVE	3	3
11	10225-E330	GRID - WARMING RACK	1	1
12	S21242	BURNER CLIP	3	3
15	10390-E30	BURNER	3	3
17	10342-246	IGNITOR	1	1
18	10342-E12	ELECTRODE	2	2
19	52224-024A	COLLECTOR BOX	1	1
21	39004-032	CONTROL ASSEMBLY	1	•
	39004-033	CONTROL ASSEMBLY	•	1
21A	S13467-073	SIDE BURNER HOSE	1	•
	S13467-079	SIDE BURNER HOSE	•	1
21B	Y-11230	BURNER HOSE CLIP	1	1
23	10472-K37	CONTROL KNOB	4	4
30	30194-EU	CONTROL COVER	1	1
31	10711-E19	EDGE CAP - LEFT	1	1
32	10711-E18	EDGE CAP - RIGHT	1	1
33	10184-F37	HEAT SHIELD	1	1
35	10184-F321	BRACKET - LEFT	1	1
36	10184-F331	BRACKET - RIGHT	1	1
37	10184-E361	SHELF BRACKET - LEFT	2	2
38	10184-E371	SHELF BRACKET - RIGHT	2	2
39	10956-F321	BRACE-REAR	1	1
40	10711-E361	BASE	1	1
40A	10184-E291	TANK SUPPORT	1	1
41	10956-F311	BRACE-FRONT	1	1
42	10958-F337	FRONT PANEL	1	1
43	10958-F301	SIDE PANEL	2	2
50	10711-E111	SHELF - SIDE	1	1
51	10711-E131	SB SHELF - SIDE	1	1
56	10892-608	WHEEL	2	2
58	34000-336	HANDLE BEZEL	2	2
60	10711-E50	END CAP - SHELF	2	2

PARTS LIST / LISTE DES PIECES

<u>KEY #</u>	<u>ITEM #</u>	<u>DESCRIPTION</u>	<u>9523-62</u>	<u>9523-63</u>
70	10958-F28	WHEEL SPACER - LEFT	1	1
71	10958-F29	WHEEL SPACER - RIGHT	1	1
72	S21420	PUSH NUT	2	2
73	32001-152	HUB CAP	2	2
75	31106-13A	HANDLE	1	1
78	10958-F26	FOOT	1	1
80	Y-11546	SCREW 1/4-20 X 5/8	8	8
81	Y-12310	SCREW 1/4-20 X 3/4	6	6
82	Y-12673	SHELF - LOCK PIN	2	2
83	Y-12865	SCREW 1/4-20 X 1/2	8	8
84	S15174	AXLE	1	1
85	Y-12855	SCREW 1/4-20 X 3/8	22	22
87	Y-11793	NUT 1/4-20	4	4
96	S21125	SCREW #8 X 3/8	4	4
98	S21124	SCREW #8 X 1/2	8	8
99	Y-12646	SCREW #8 X 1/2	2	2
104	Y-12835	SCREW #6-32 X 1/4	2	2
110	63139-981	GRID	1	1
111	10390-E10D	SIDE BURNER	1	•
	10390-E10E	SIDE BURNER	•	1
113	10342-T16	ELECTRODE WIRE	1	1
114	53000-251	SIDE BURNER LID	1	1
115	Y-29307	NUT #10-24	2	2
116	Y-29304	SCREW #10-24 X 3/8	4	4
117	53004-271	SIDE BURNER BODY	1	1
122	57054-901	GREASE TRAY	1	1
123	52009-901	GREASE PAN	1	1
159	S21136	SCREW #8-32 X 3/8	4	4
166	Y-11979	BOLT 1/4-20 X 3/8	6	6
167	Y-12117	3/8 HEYCO PLUG	2	2

