

Broil King®

Broil King.

GEM 320
8141-52
8141-53



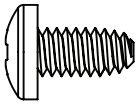

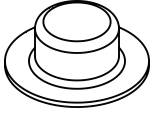
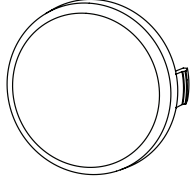
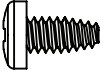
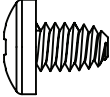
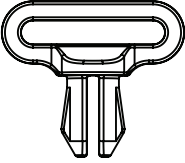
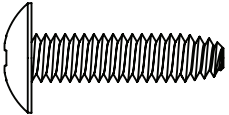
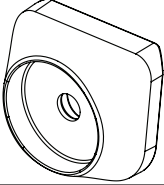
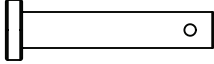



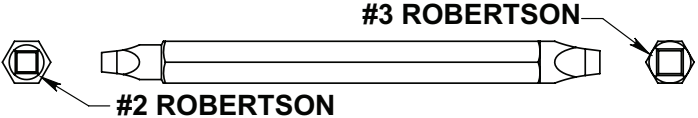
Broil King.

GEM 320
9523-52
9523-53

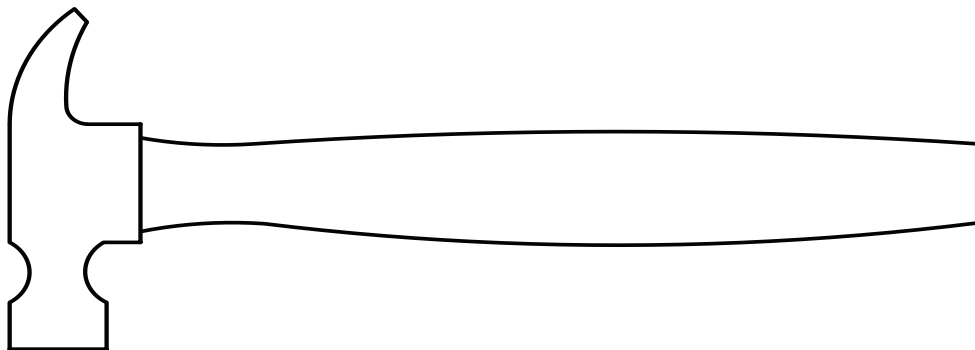


Onward
SINCE 1906
MANUFACTURING COMPANY LIMITED
585 KUMPF DRIVE
WATERLOO, ONTARIO, CANADA
N2V 1K3

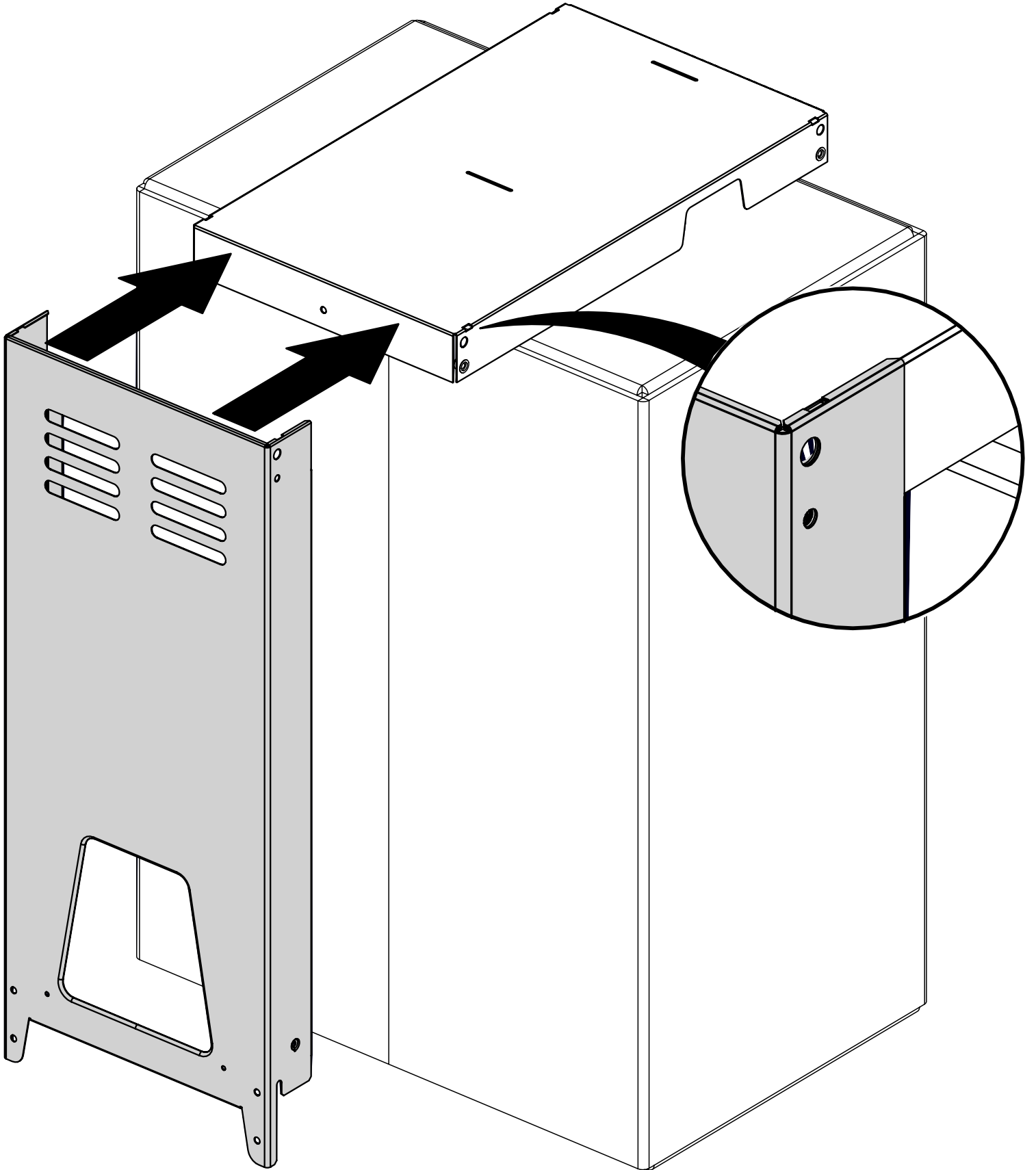
HARDWARE INCLUDED

Y-12865		(4)	AAA		(1)
S21420		(2)	32001-152		(2)
Y-29304		(4)	Y-12855		(10)
Y-12673		(2)	Y-12860		(2)
34000-336		(2)	32300112		(2)
S21233		(2)	Y-29307		(2)
S21124		(4)	 <p style="text-align: right;">#3 ROBERTSON</p> <p style="text-align: center;">#2 ROBERTSON</p>		

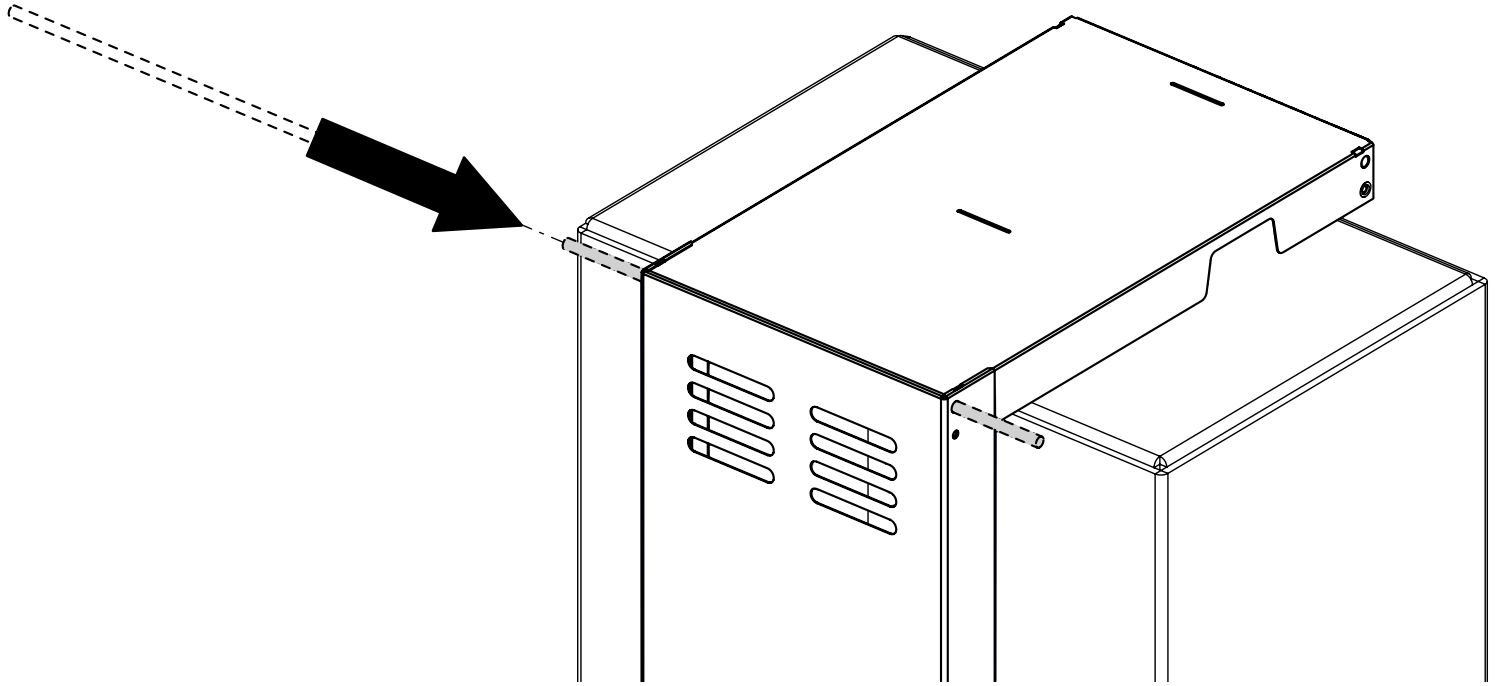
TOOLS REQUIRED



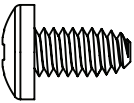
1

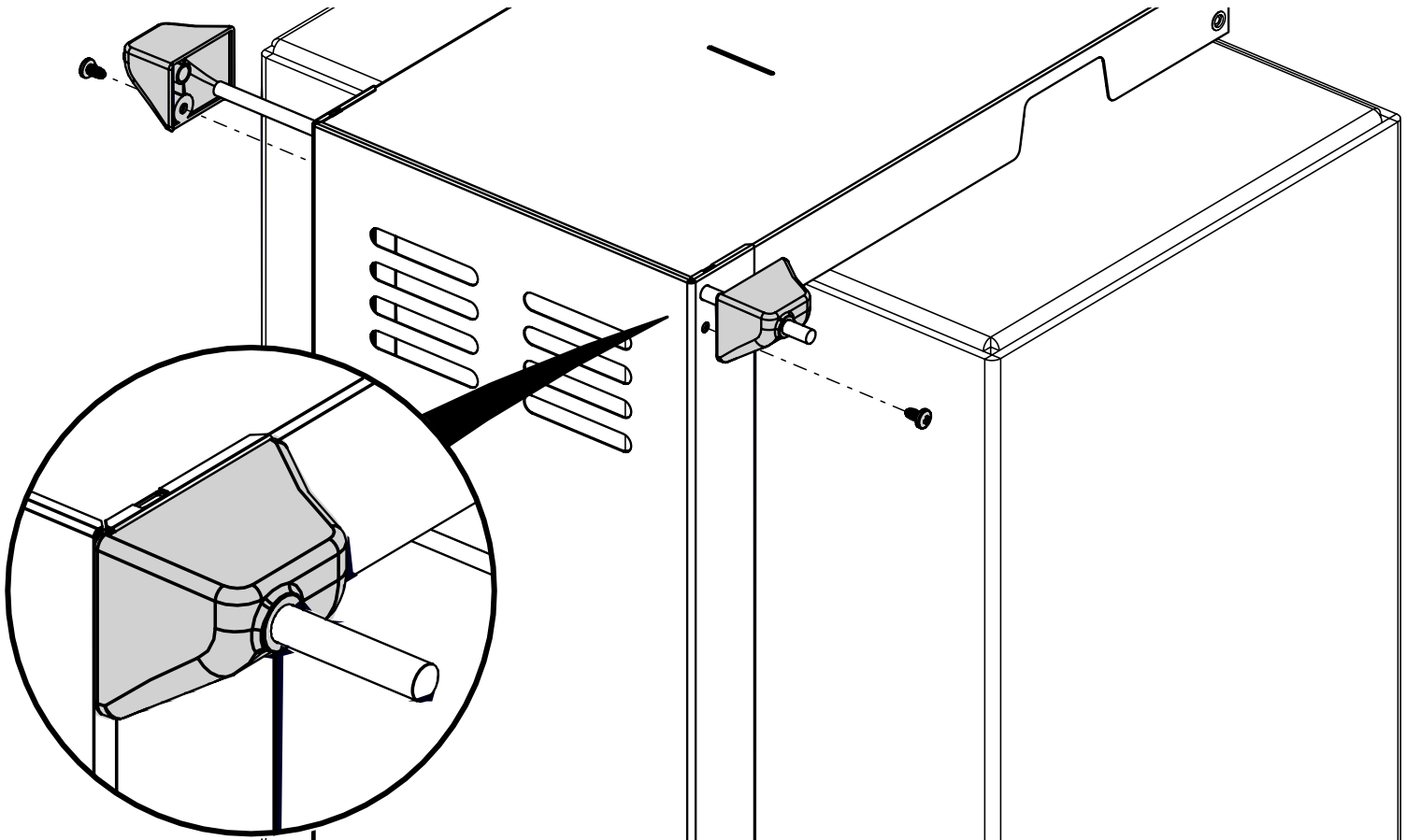


2



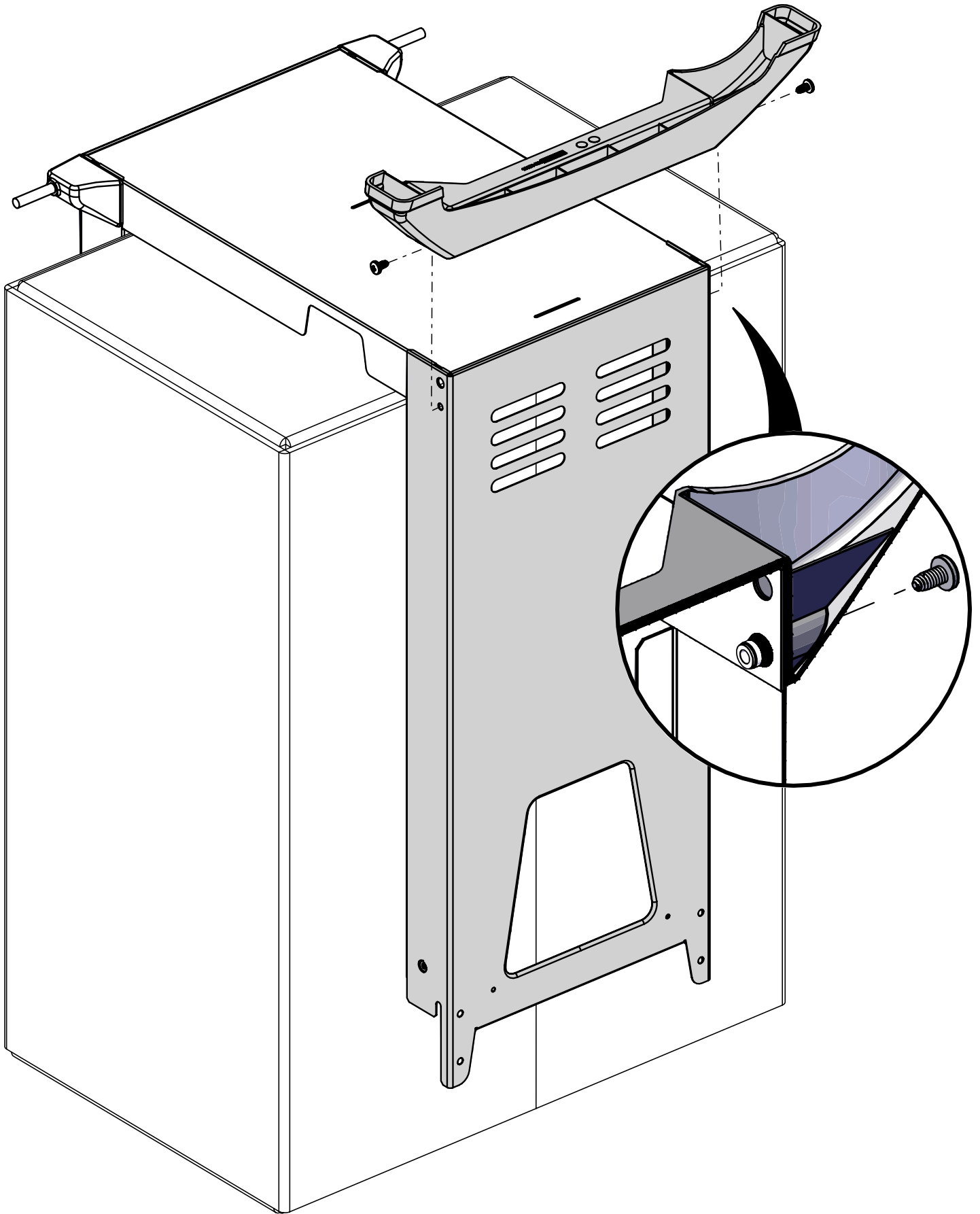
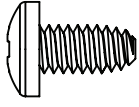
3

(2) 



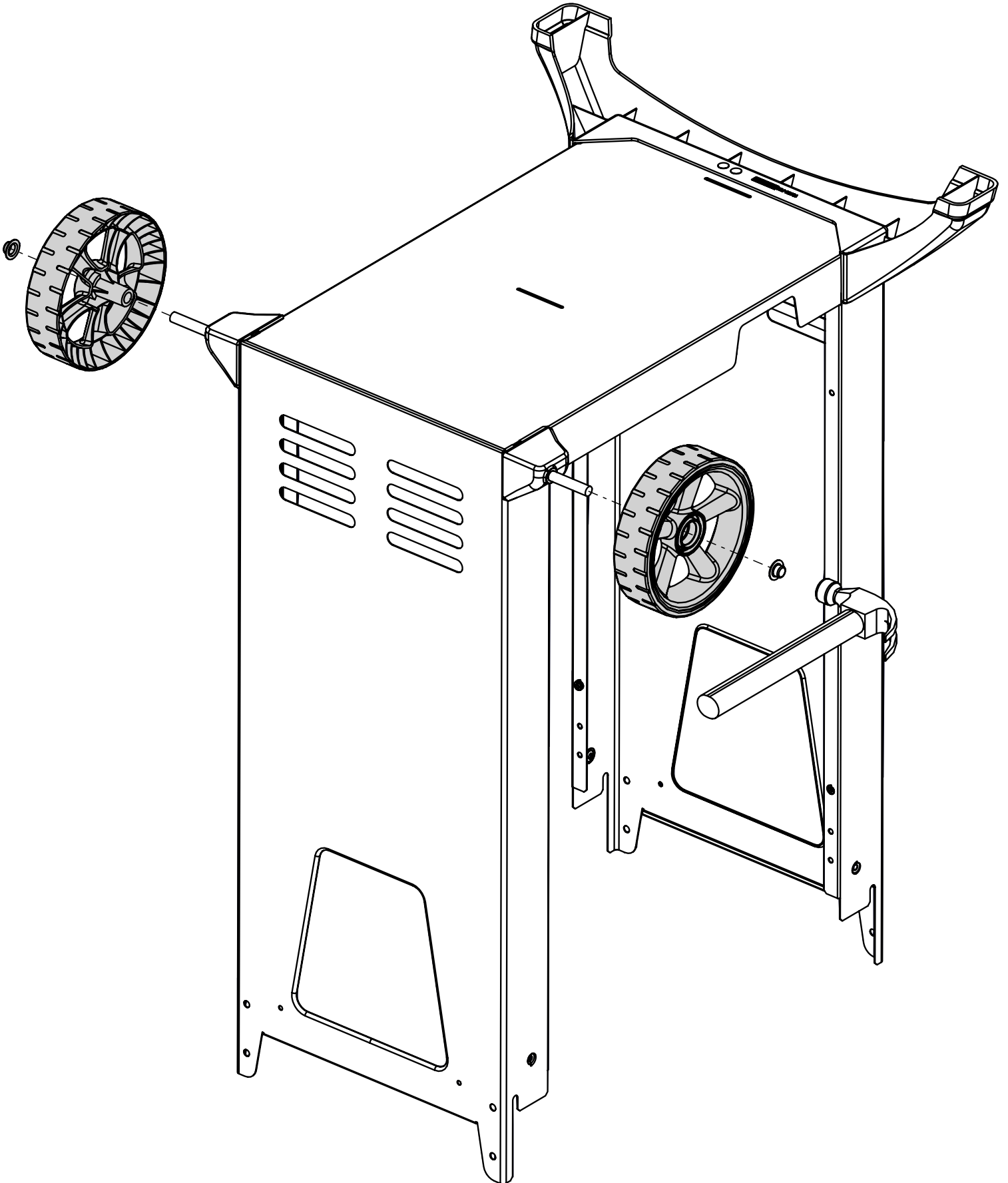
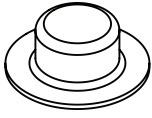
4

(2)



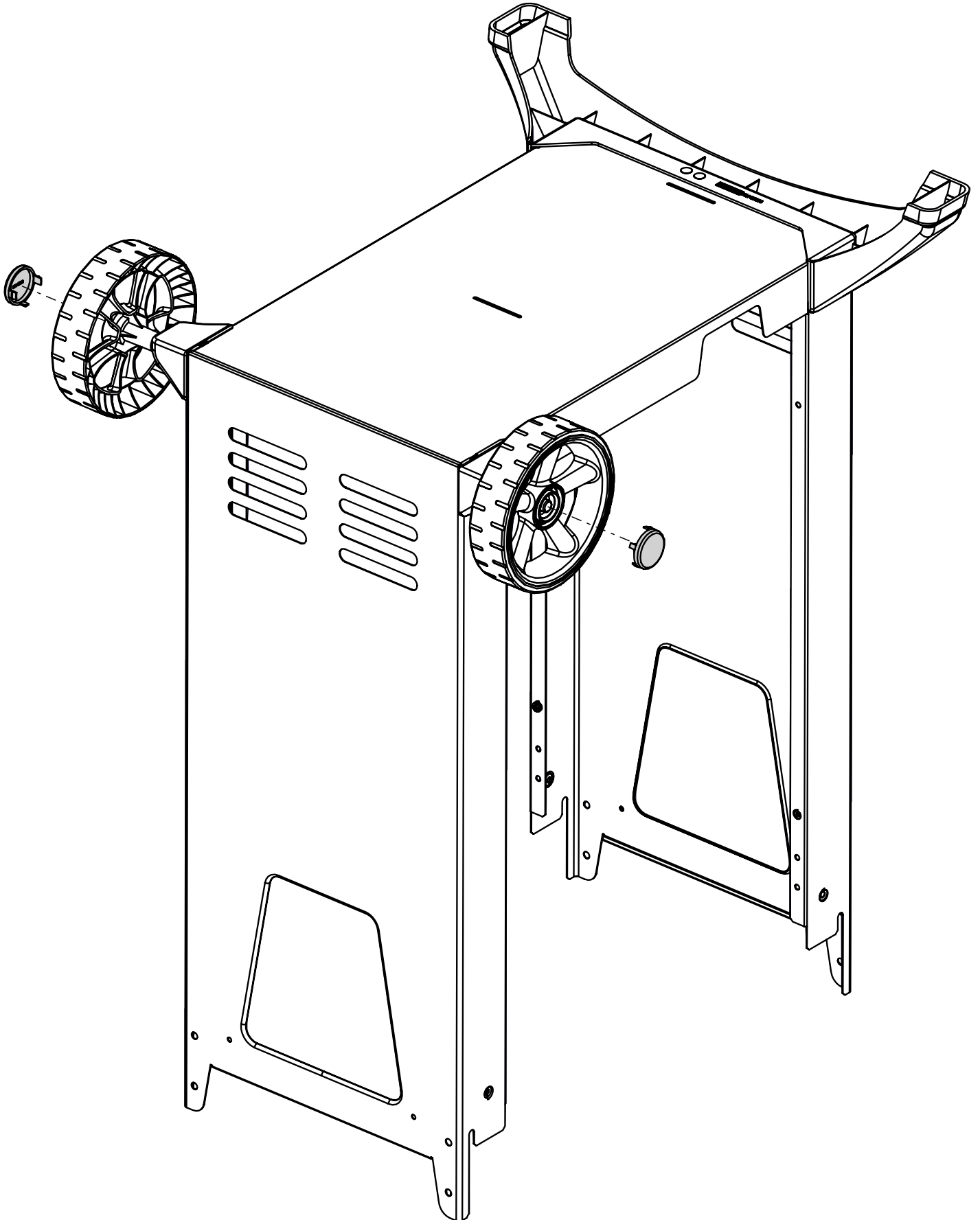
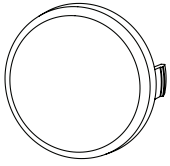
5

(2)

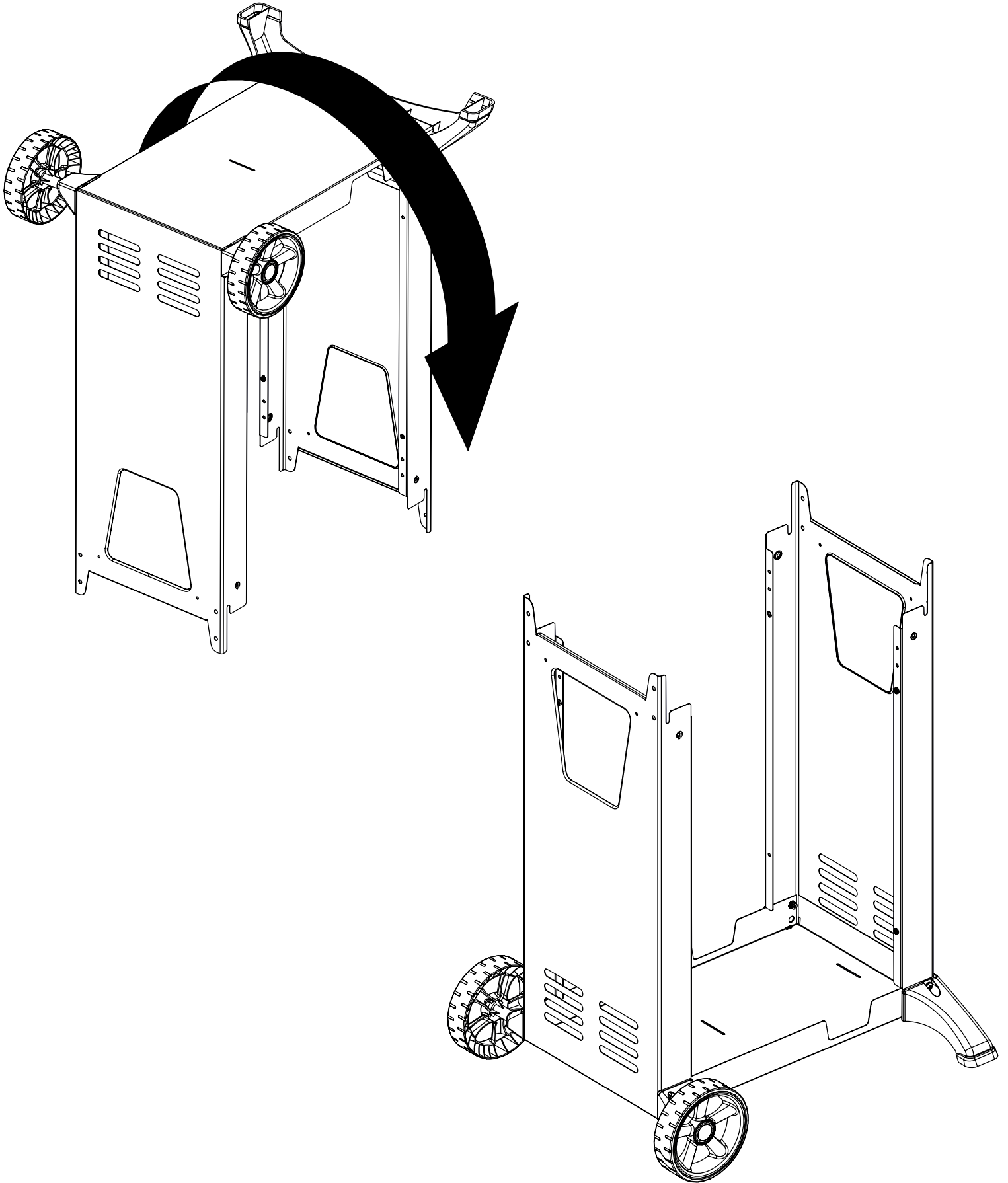


6

(2)

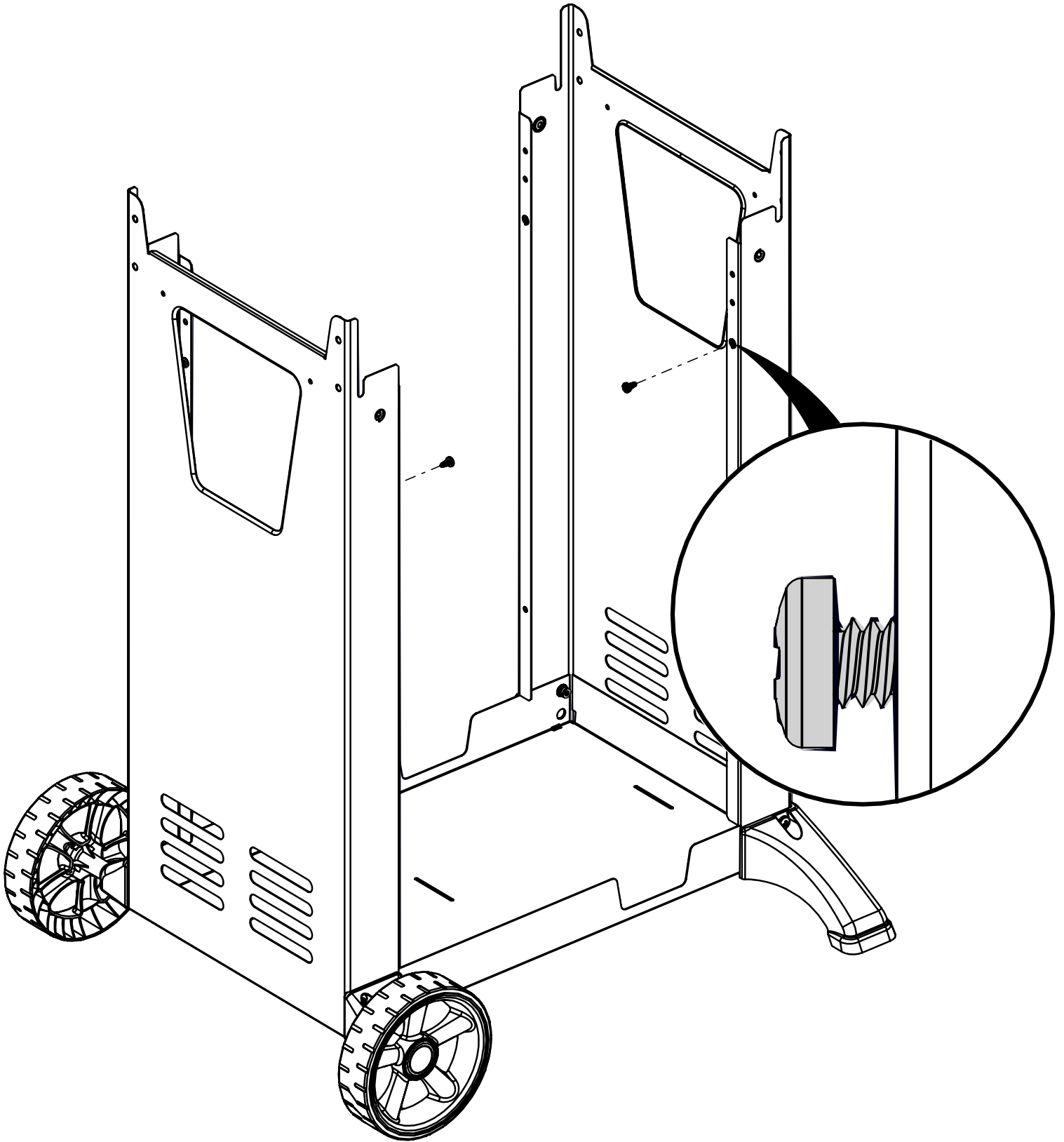
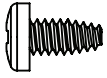


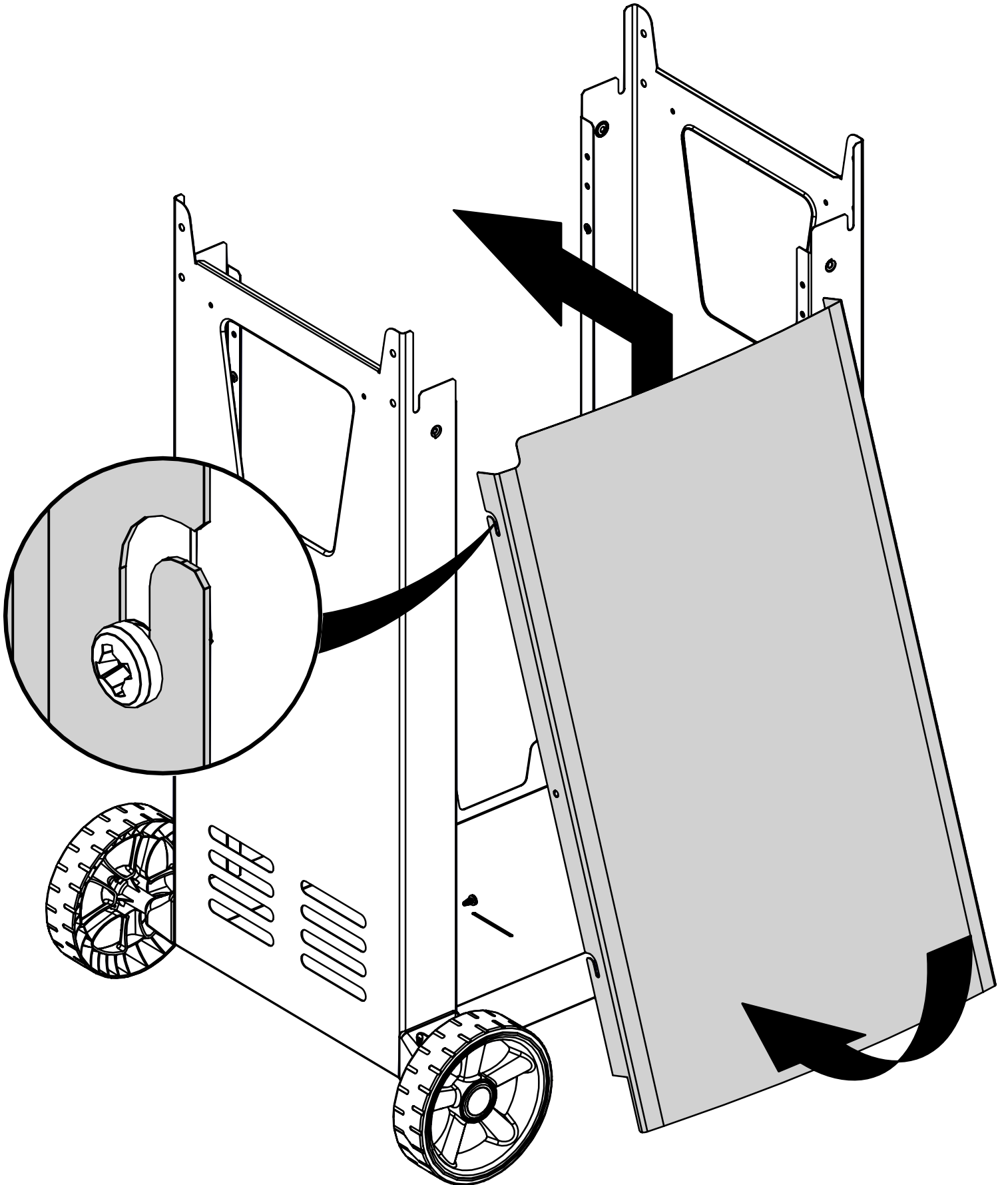
7



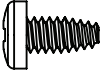
8

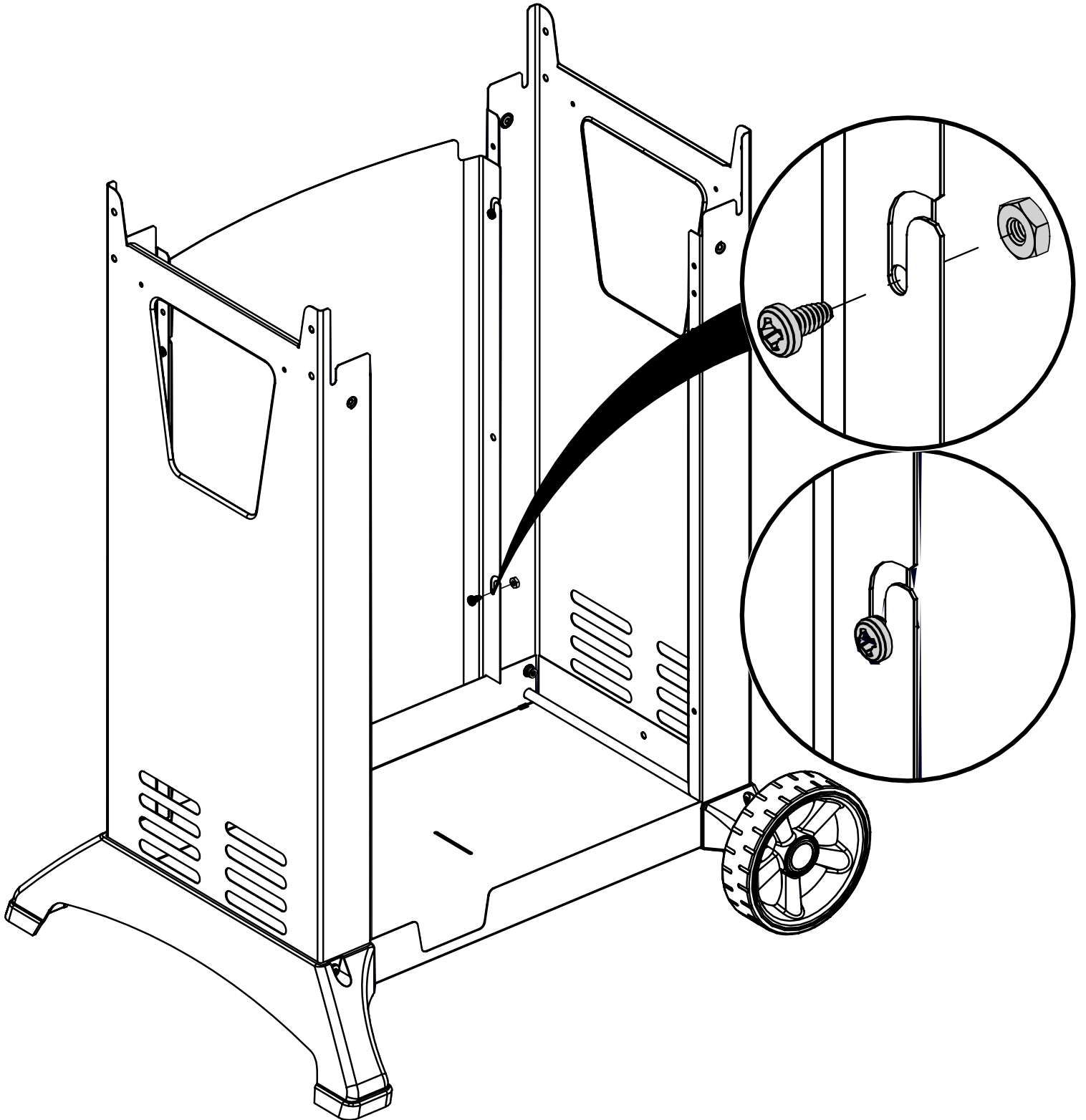
(2)



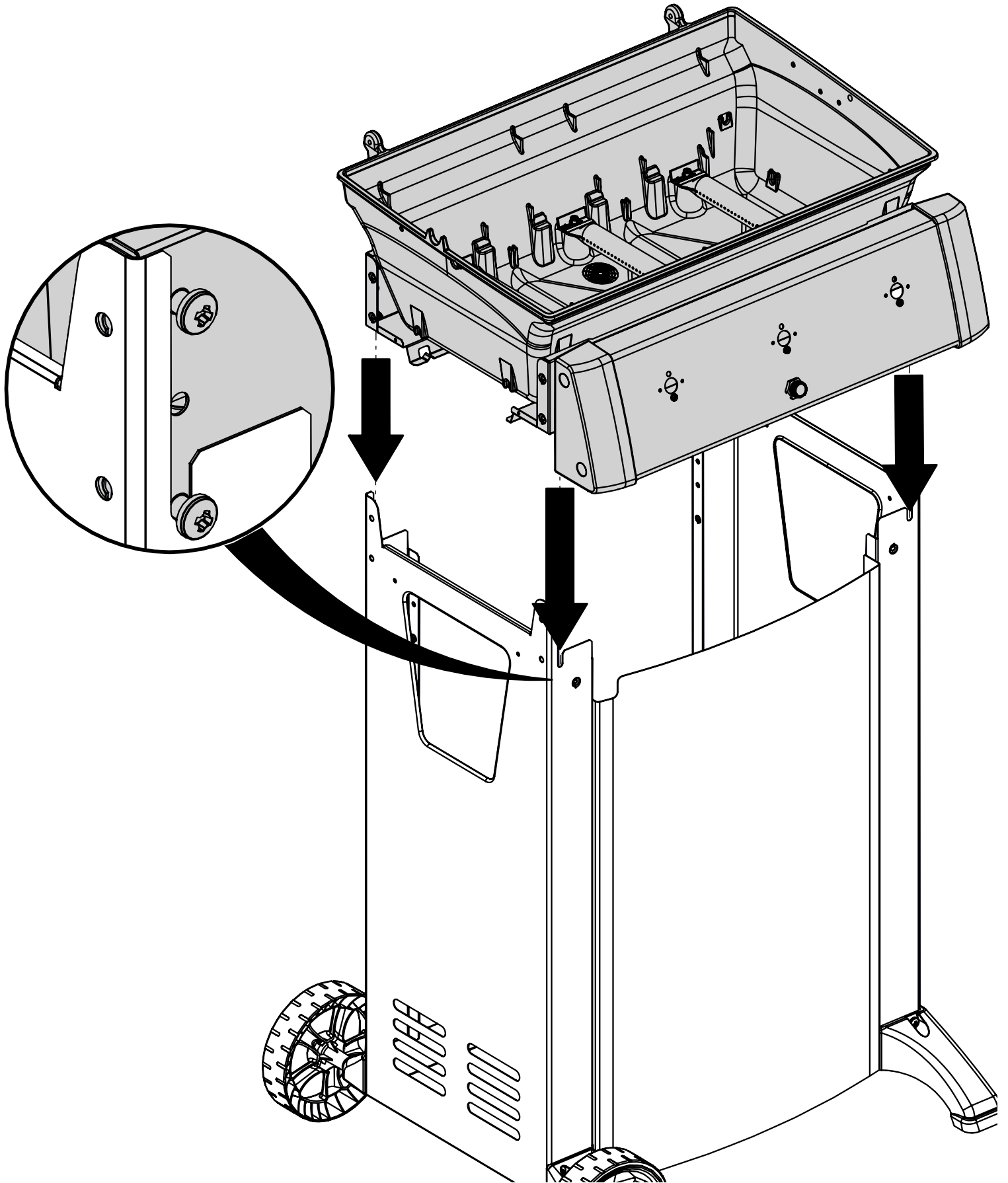


10

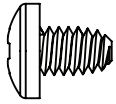
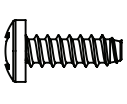
(2)  (2) 

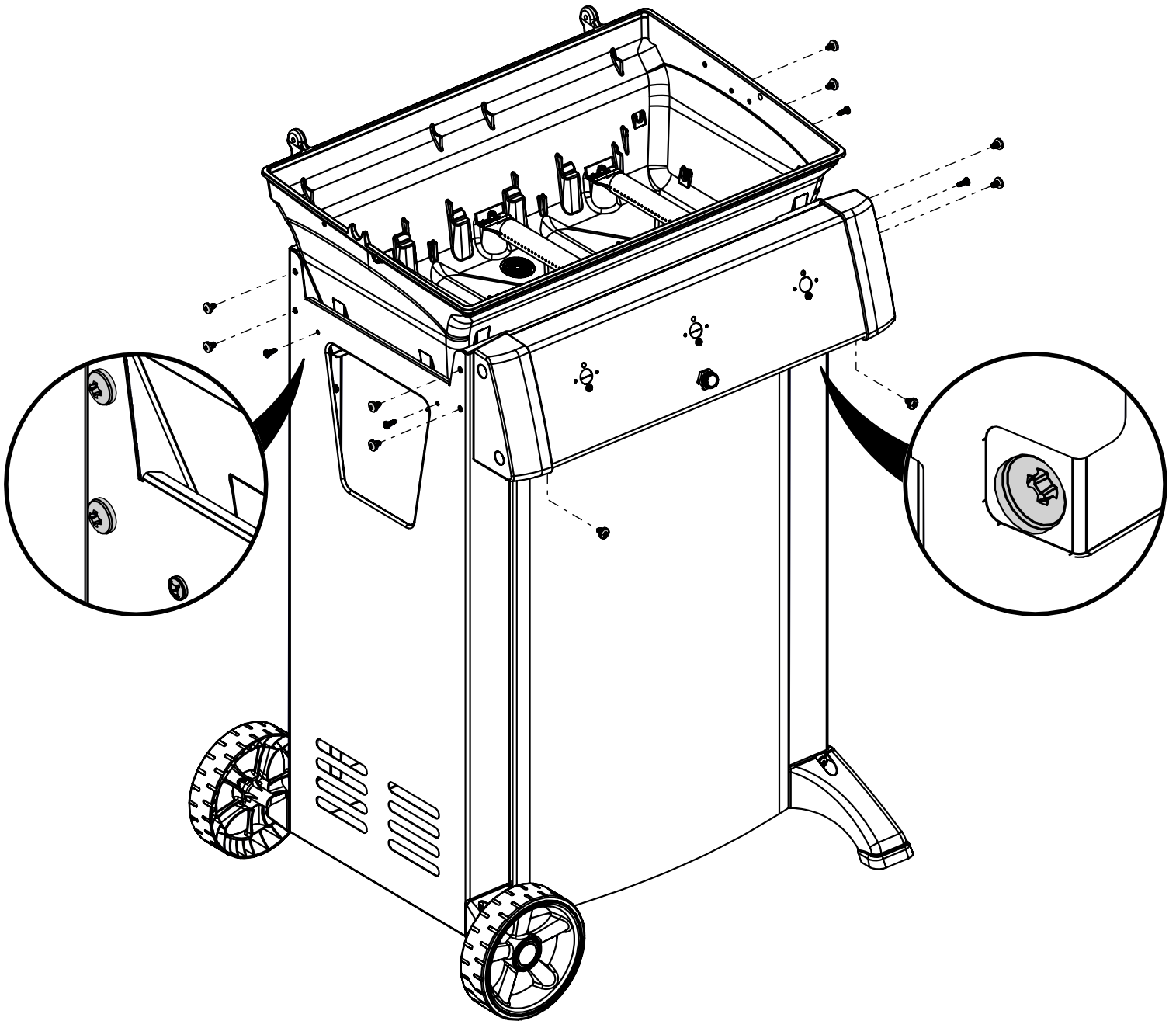


11

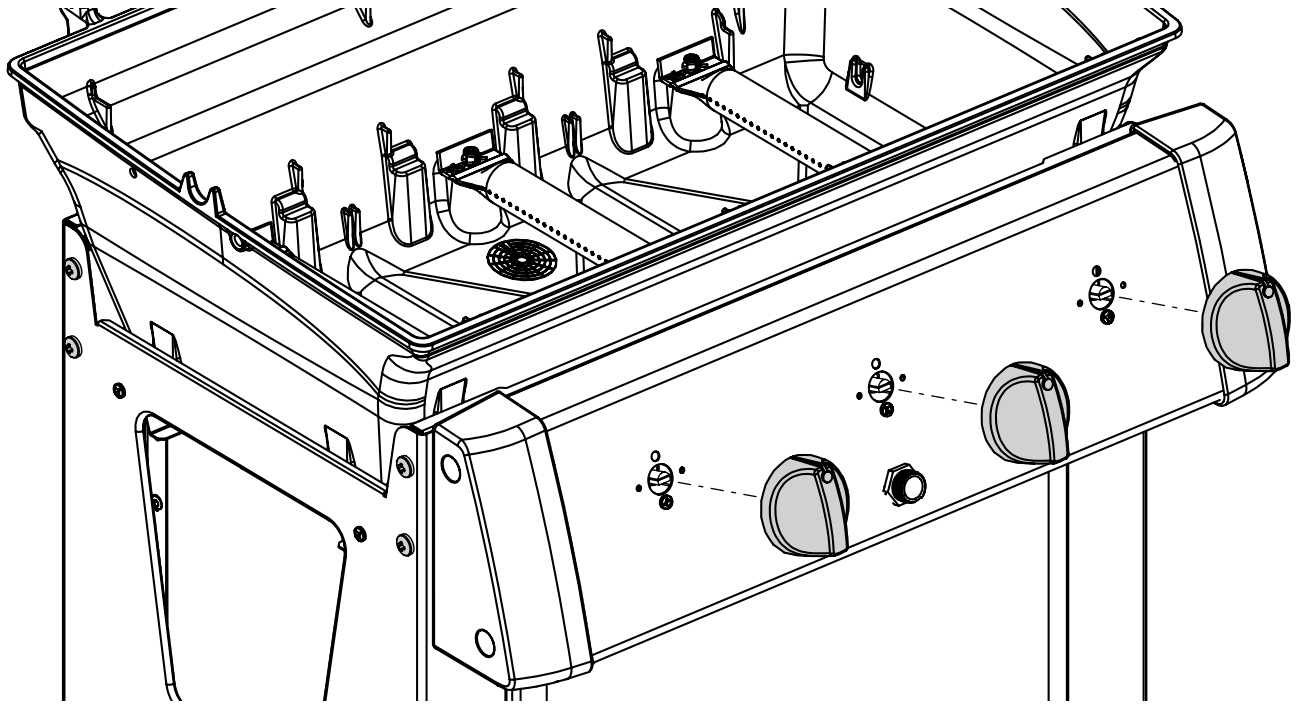


12

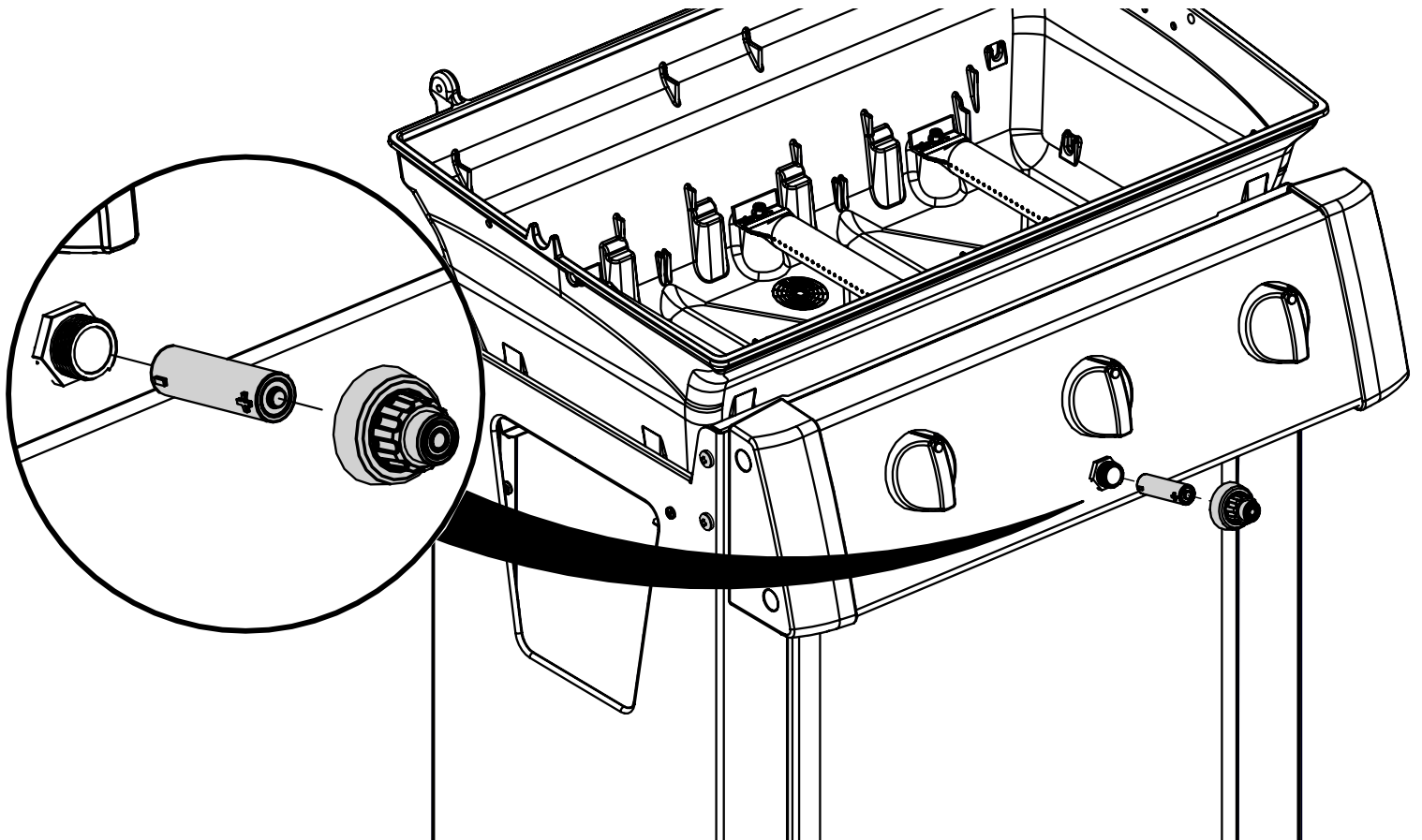
(10)  (4) 



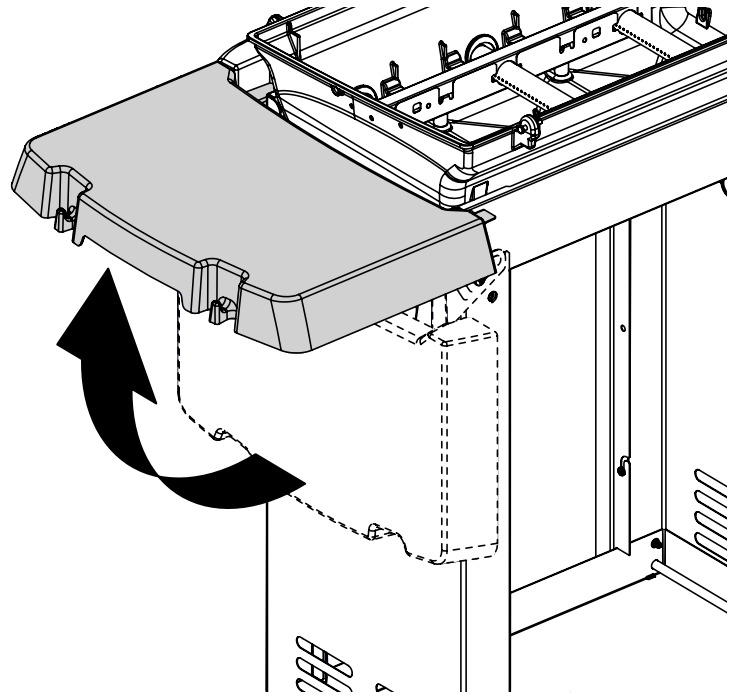
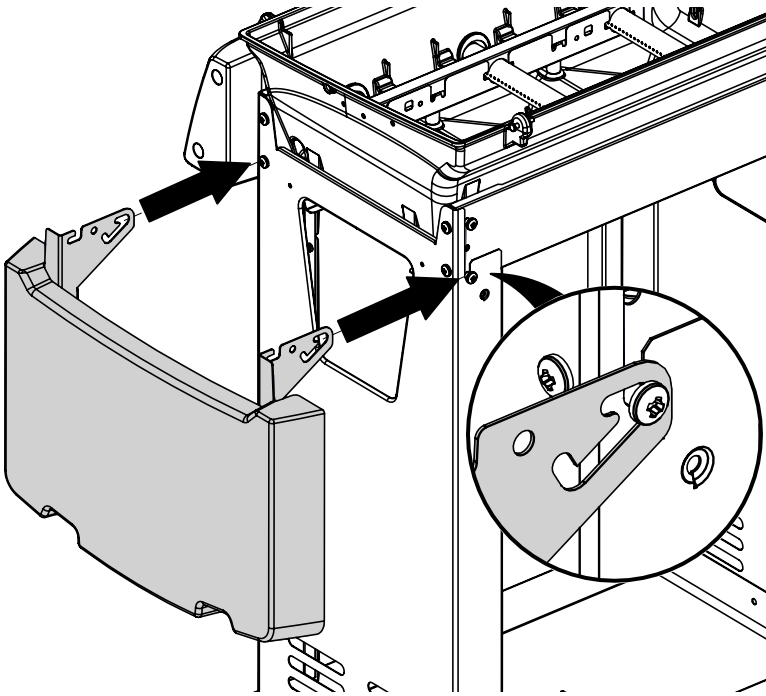
13



14

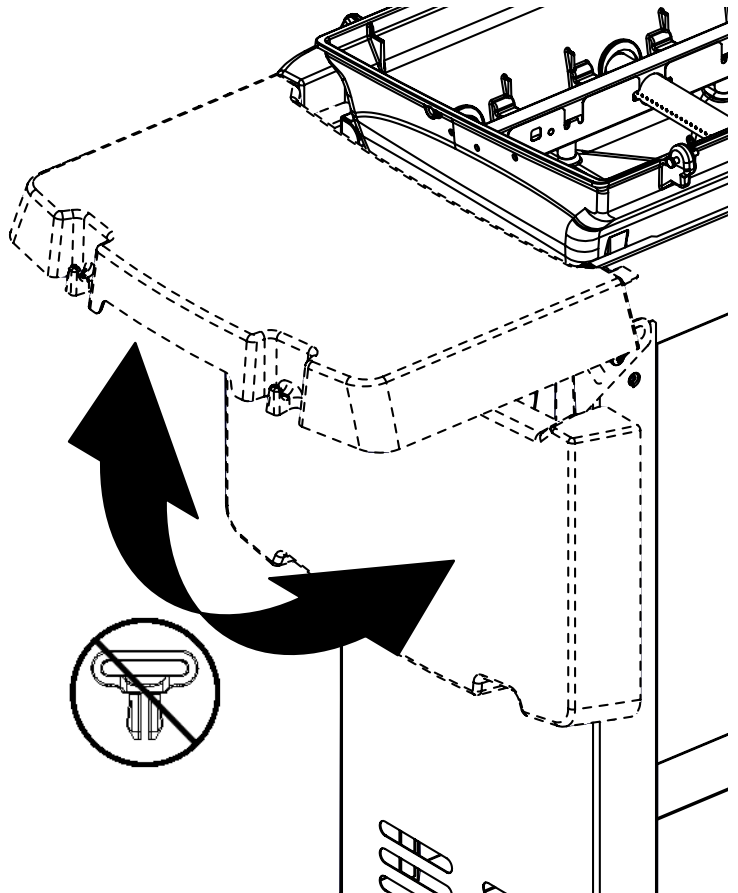
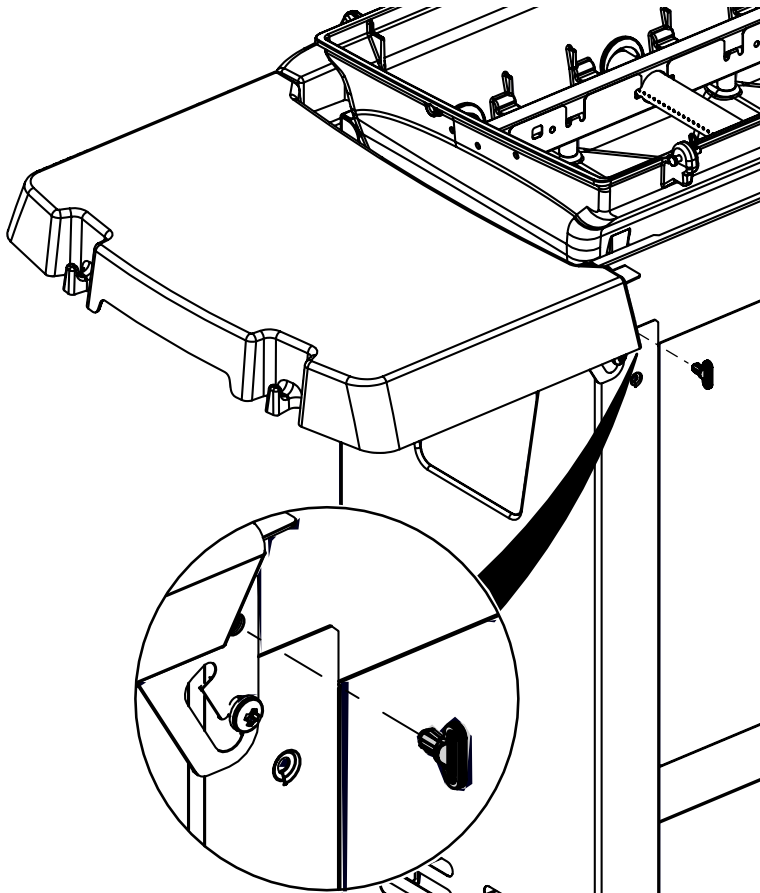
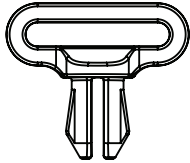


15



16

(2)



17

