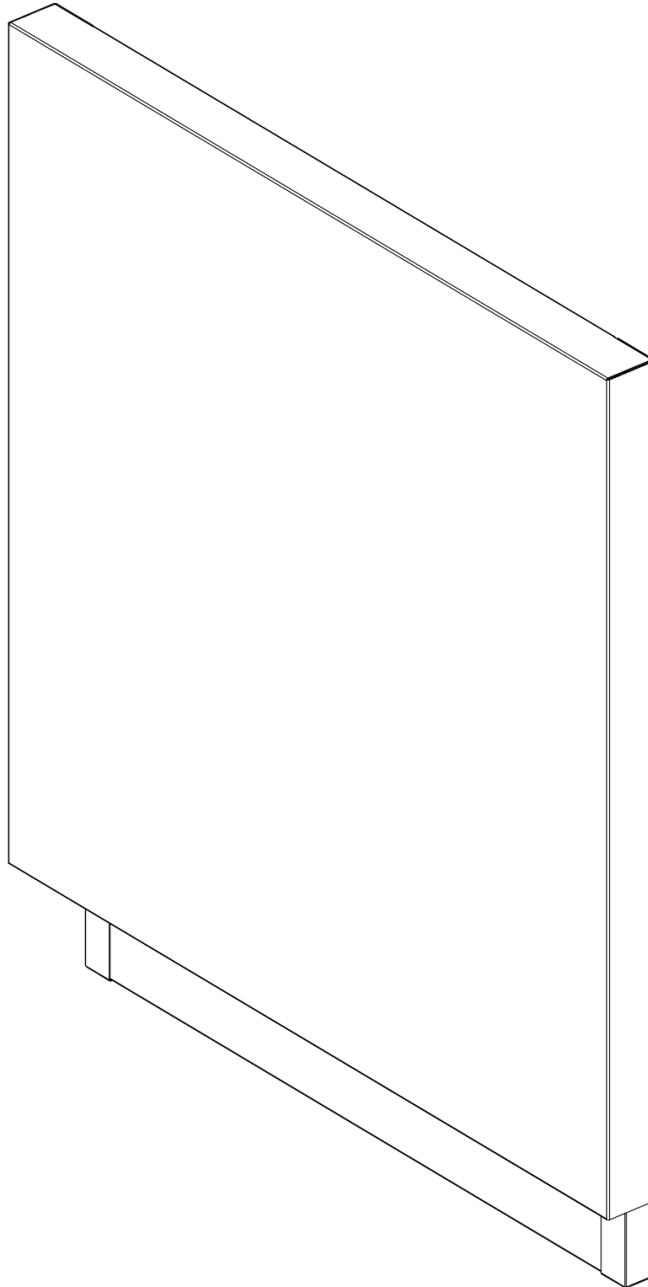


# Broil King®

ASSEMBLY MANUAL & PARTS LIST - MANUEL DE MONTAGE & LISTE DE PIÈCES - MANUAL DE ARMADO Y LISTA DE PARTES



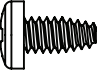
**Broil King**  
800050

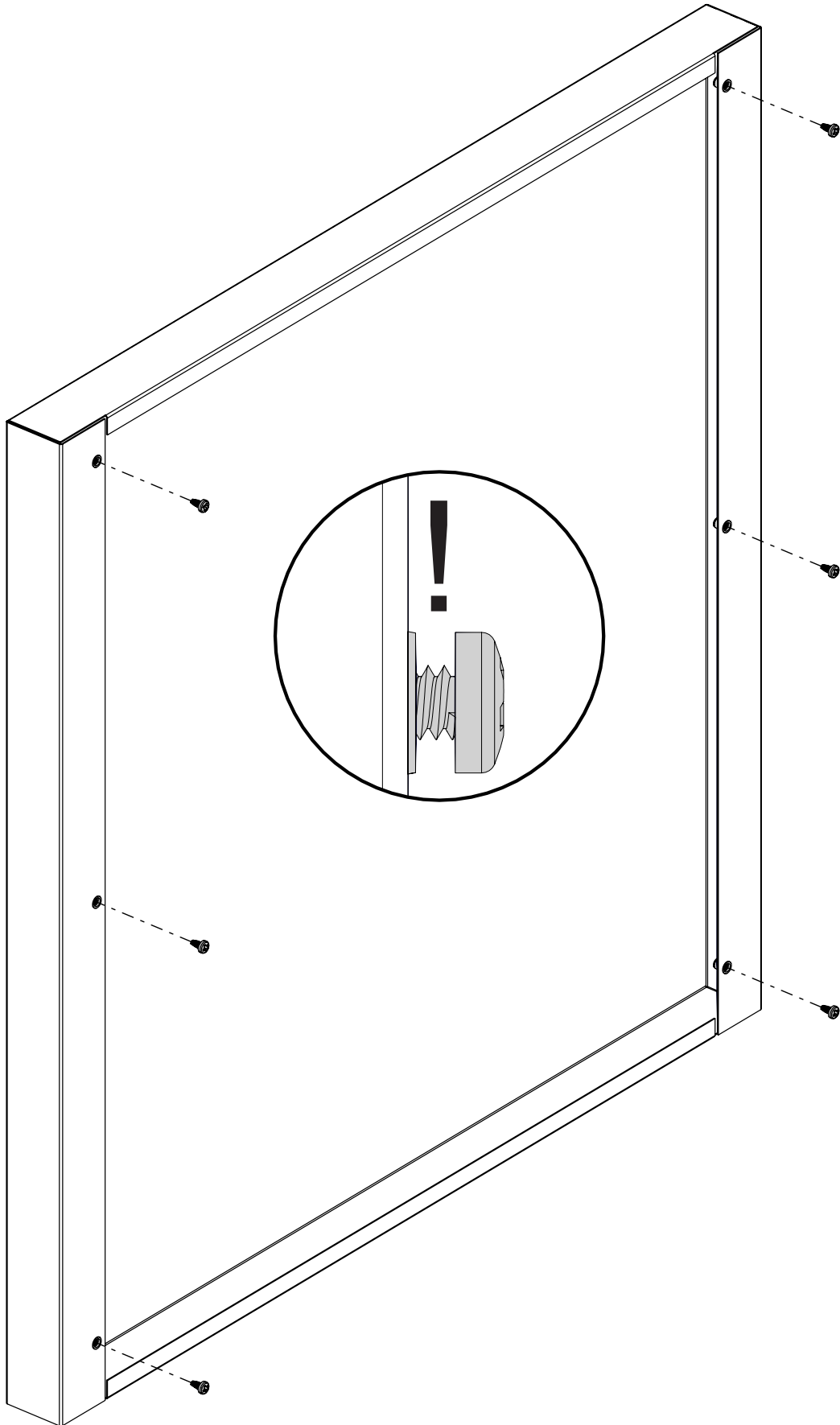
RETAIN FOR FUTURE REFERENCE - VEUILLEZ CONSERVER POUR REFERENCE ULTERIEURE - CONSERVAR PARA FUTURAS CONSULTAS

*Onward*  
SINCE 1906  
**MANUFACTURING COMPANY**  
585 KUMPF DRIVE LIMITED  
WATERLOO, ONTARIO, CANADA  
N2V 1K3

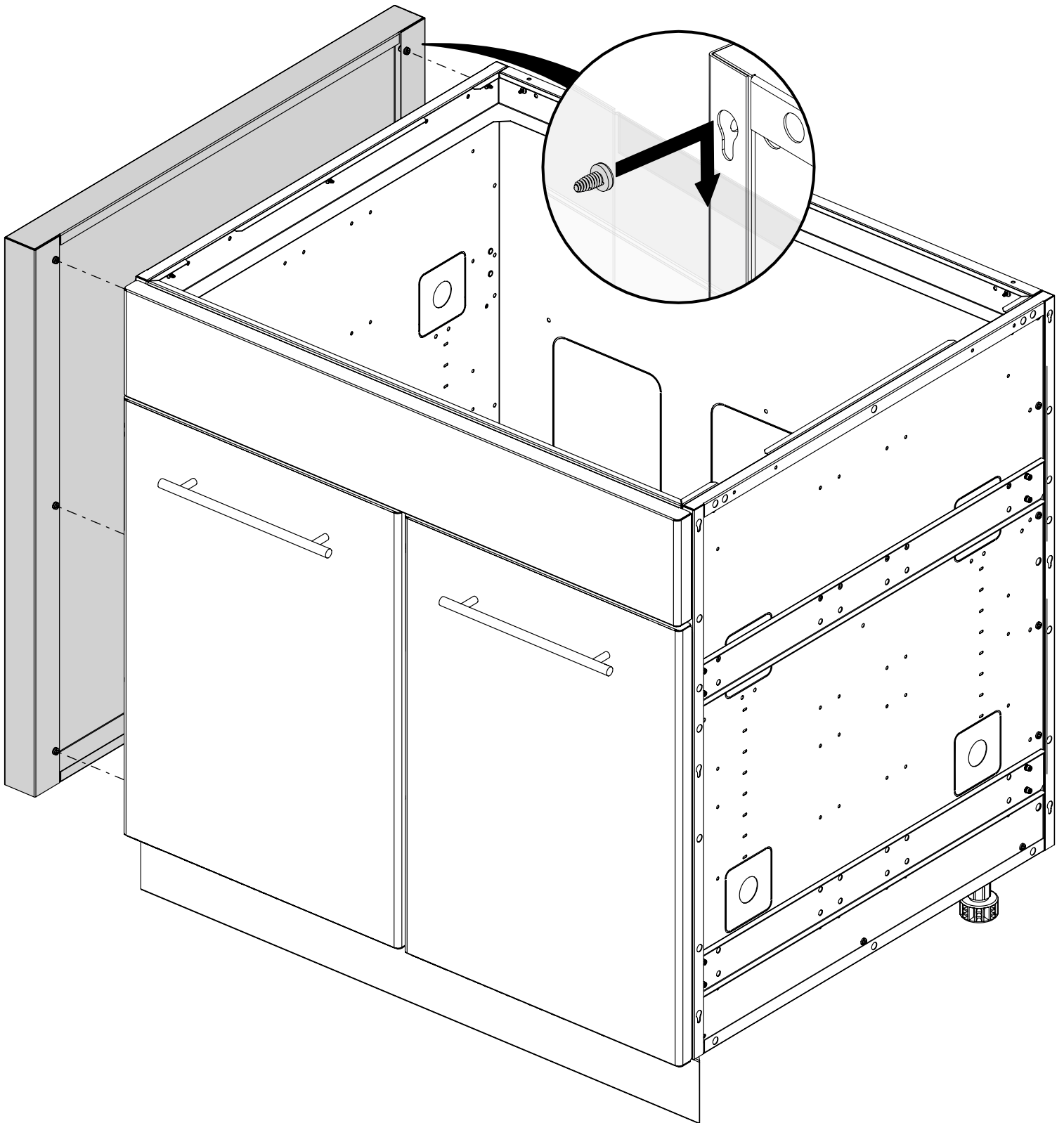
70084-E40 REV A 04/20

1

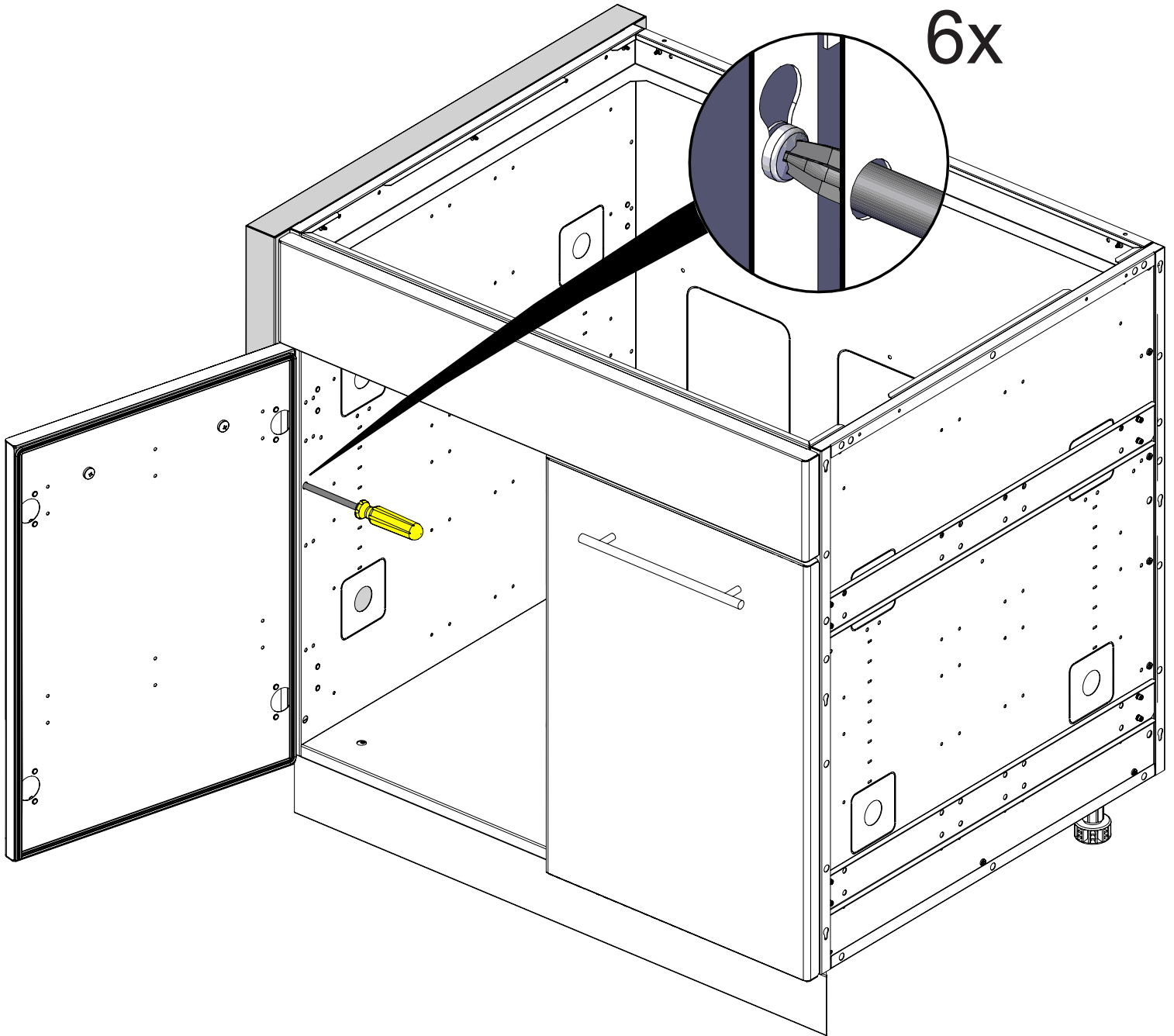
(6) 



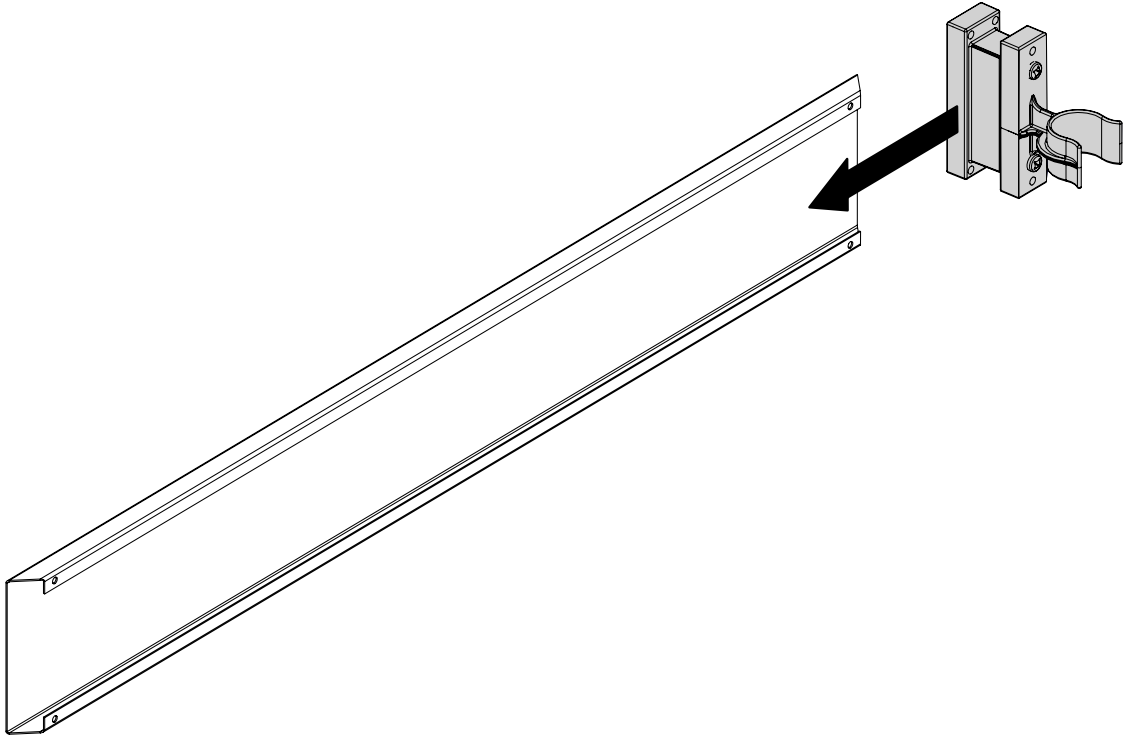
2



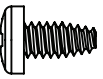
3

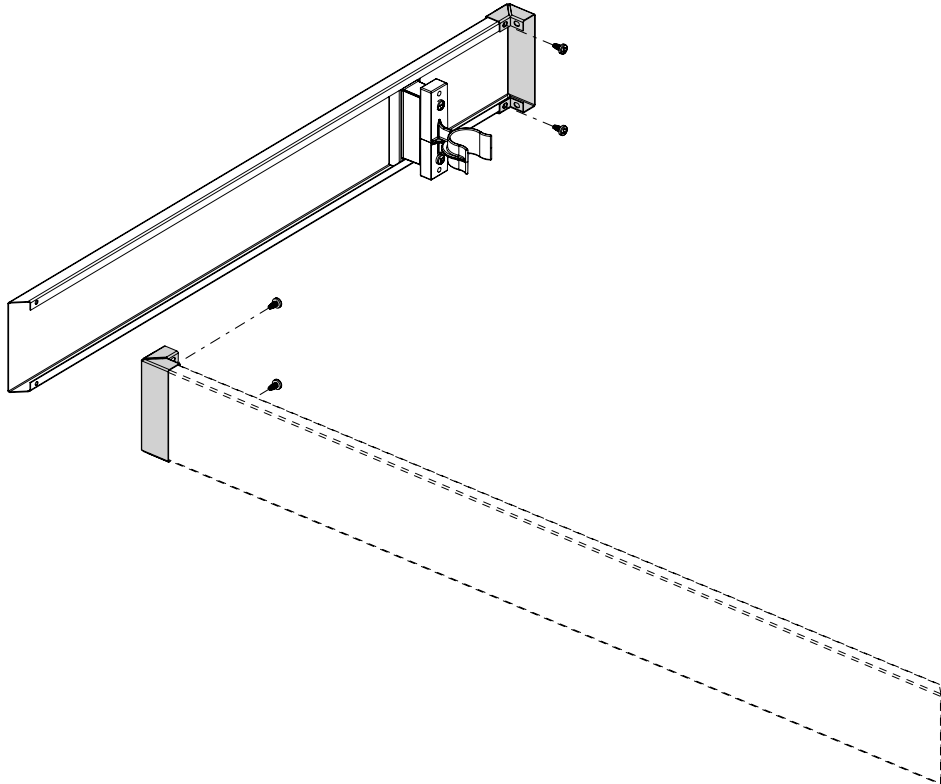


4

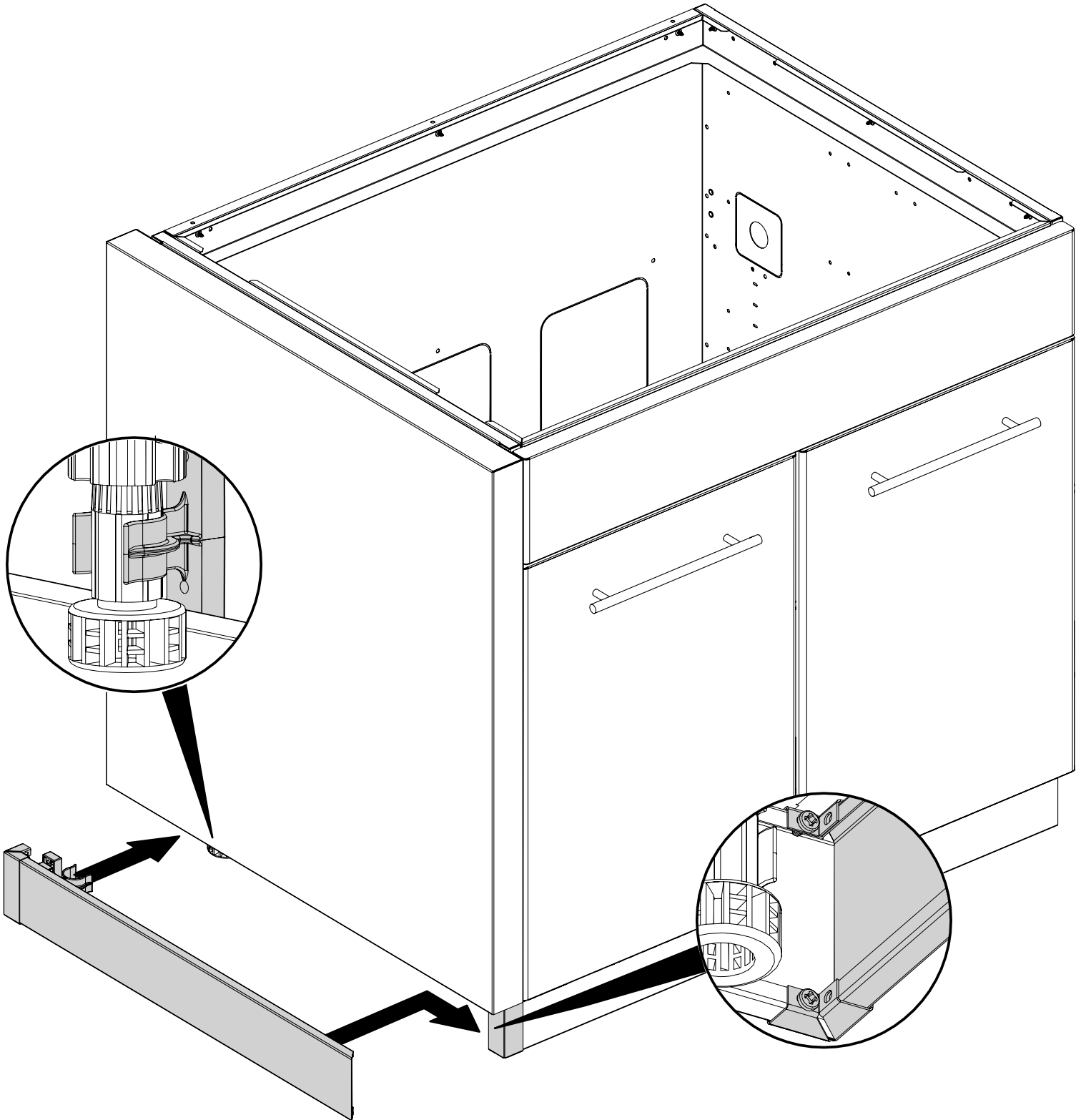


5

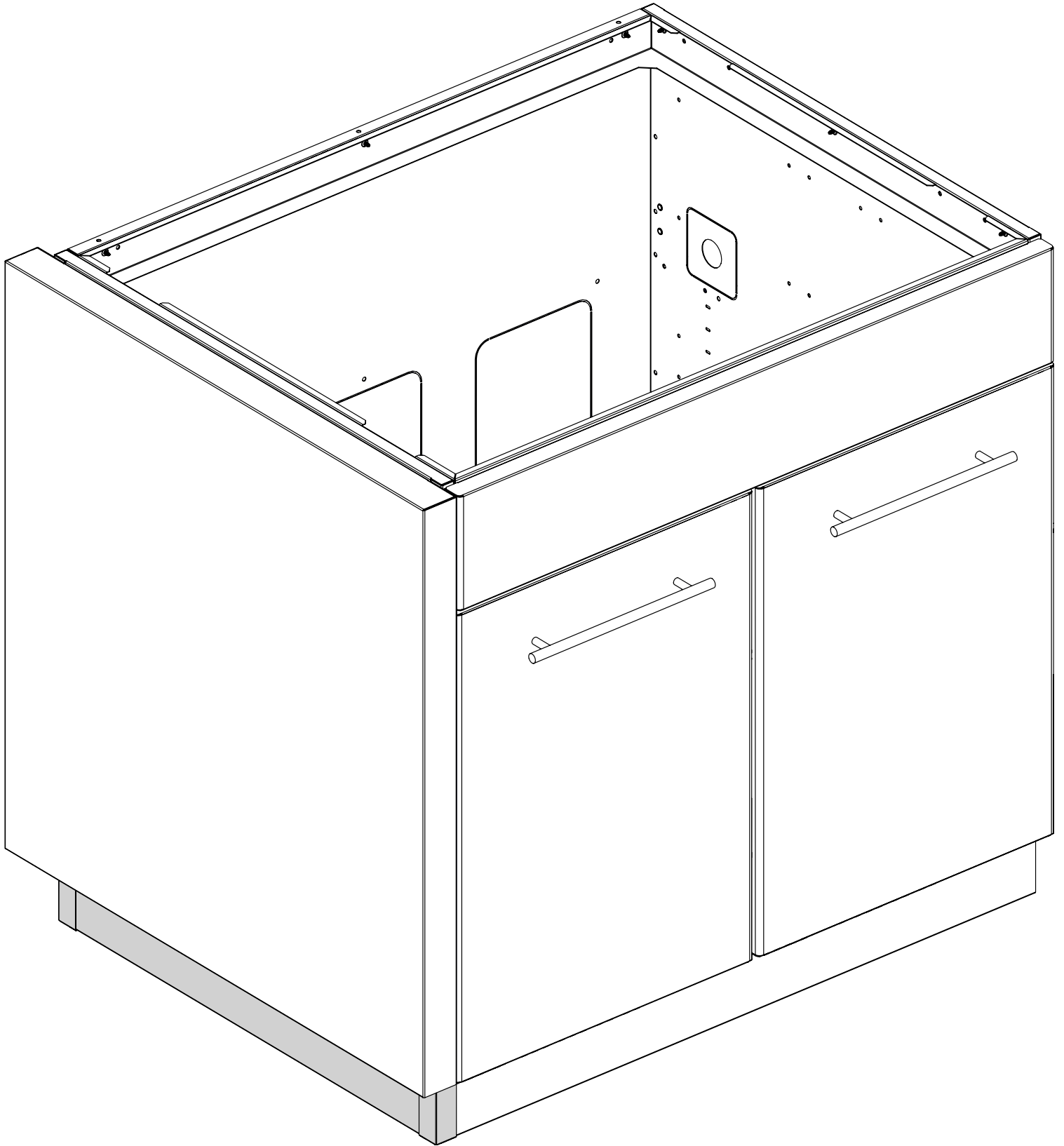
(4) 



6



7



# PARTS LIST / LISTE DES PIECES / LISTA DE PARTES

<u>KEY #</u>	<u>ITEM #</u>	<u>DESCRIPTION</u>	<u>DESCRIPTION</u>	<u>DESCRIPTION</u>	<u>800050</u>
4	71289-183	SIDE PANEL	PANNEAU LATÉRALE	PANEL LATERAL	1
5	71539-008	KICK PLATE SPACER	SPACER	ESPACIADOR	1
17	71039-108	KICK PLATE LEG CLIP	ATTACHE POUR COUP-DE-PIED	GRAPA PARA NIVELADOR	1
31	Y-29310	SCREW #10-24 X 3/4	VIS #10-24 X 3/4	TOURNILLO #10-24 X 3/4	2
32	Y-29304S	SCREW #10-24 X 3/8	VIS #10-24 X 3/8	TOURNILLO #10-24 X 3/8	10
40	71109-003	KICK PLATE	PLAQUE COUP-DE-PIED	RODAPÍÉS	1
41	71530-113	KICK PLATE BRACKET	SUPPORT POUR PLAQUE COUP-DE-PIED	BASE PARA GRAPA	2

