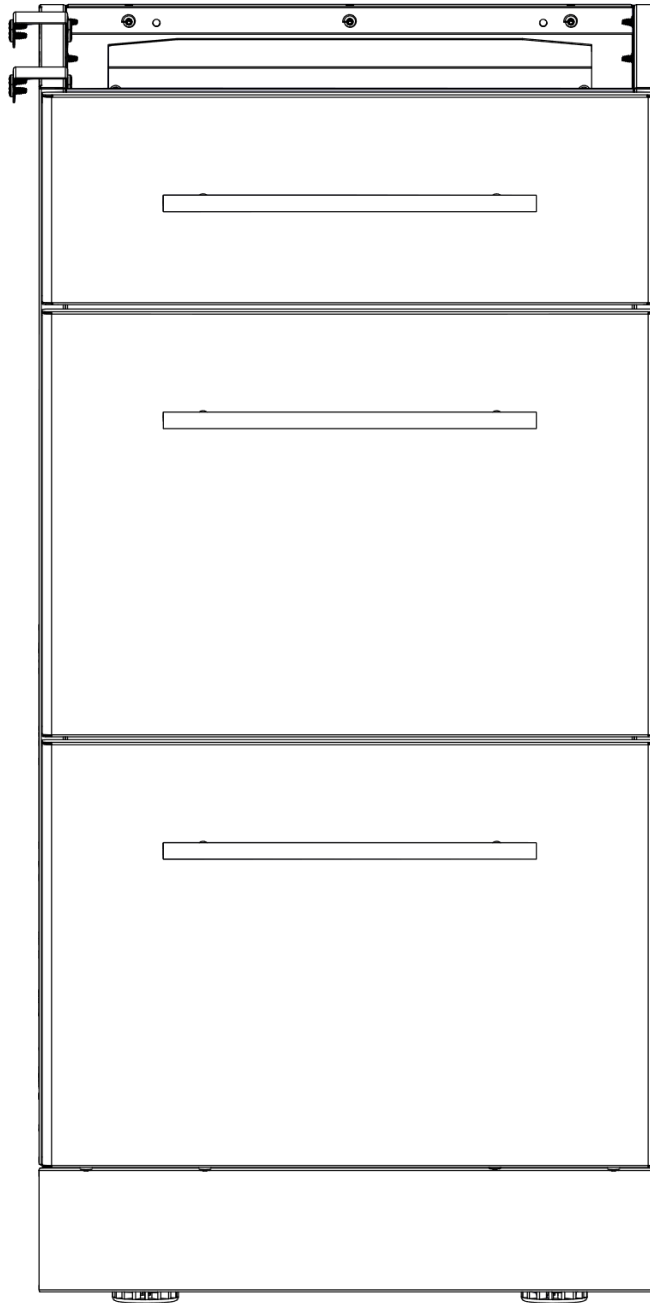


# Broil King®

ASSEMBLY MANUAL & PARTS LIST - MANUEL DE MONTAGE & LISTE DE PIÈCES - MANUAL DE ARMADO Y LISTA DE PARTES



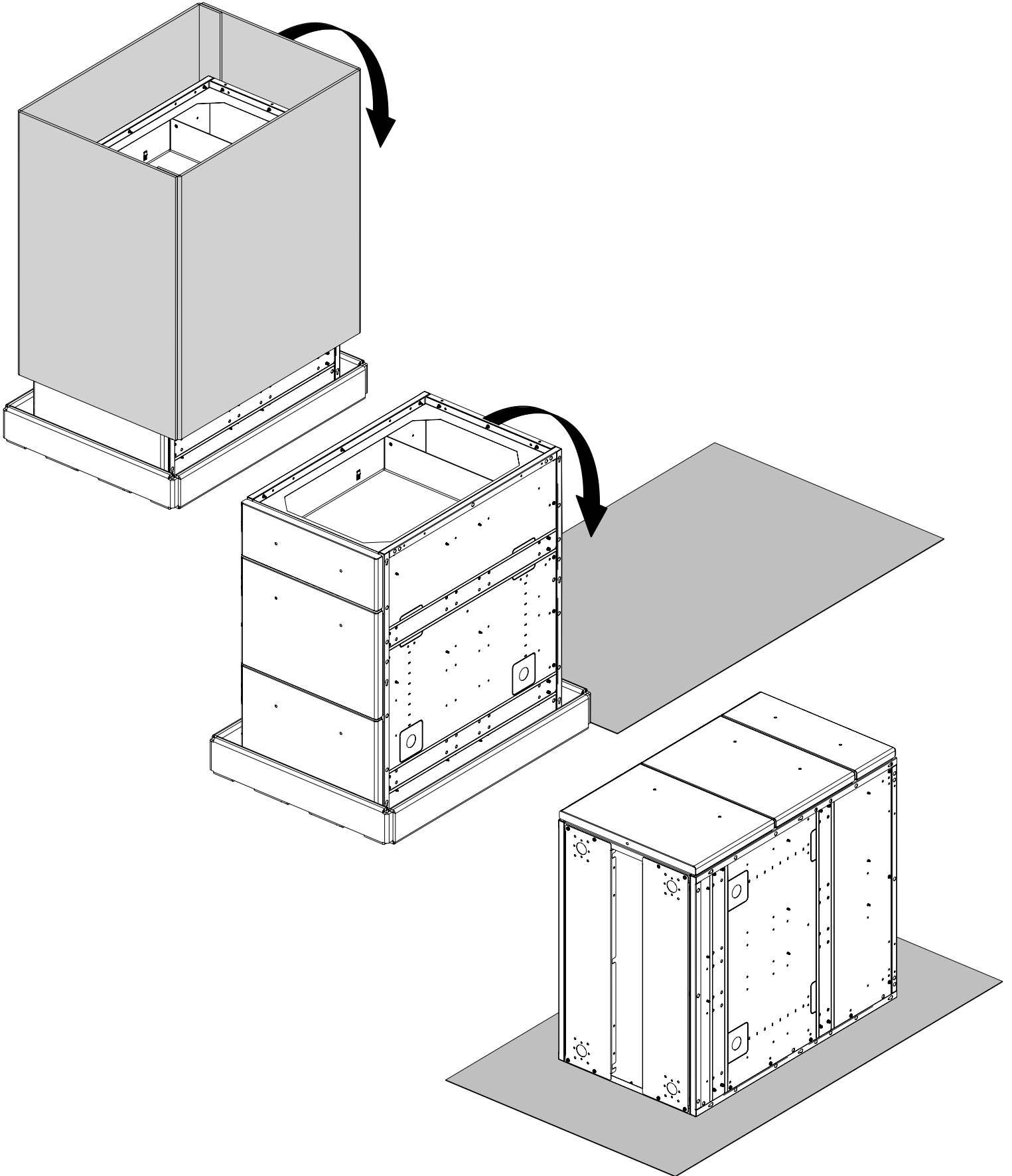
**Broil King**  
802500

RETAIN FOR FUTURE REFERENCE - VEUILLEZ CONSERVER POUR REFERENCE ULTERIEURE - CONSERVAR PARA FUTURAS CONSULTAS

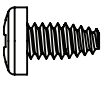
*Onward*  
SINCE 1906  
**MANUFACTURING COMPANY**  
585 KUMPF DRIVE LIMITED  
WATERLOO, ONTARIO, CANADA  
N2V 1K3

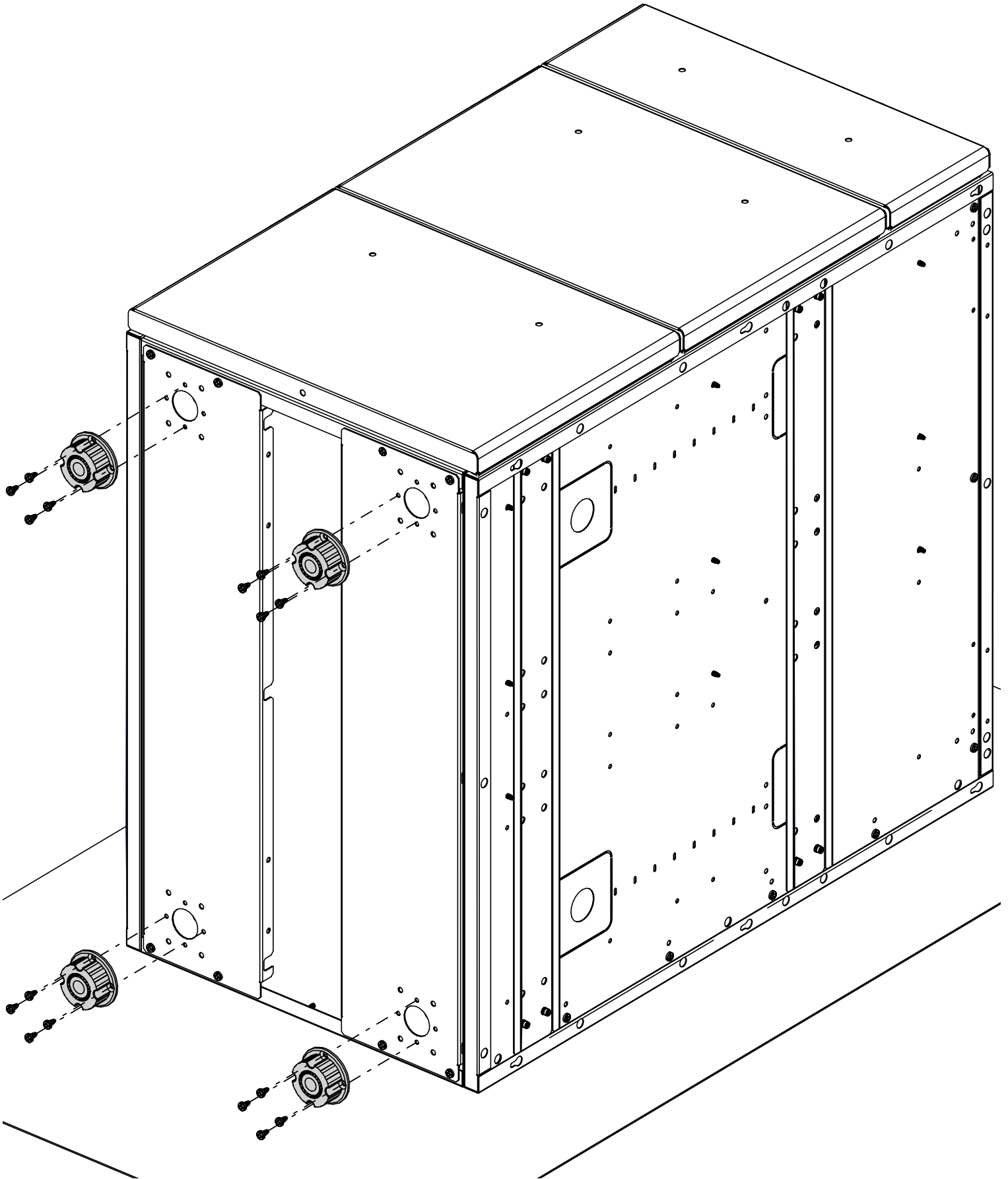
70084-E51 REV A 04/20

1

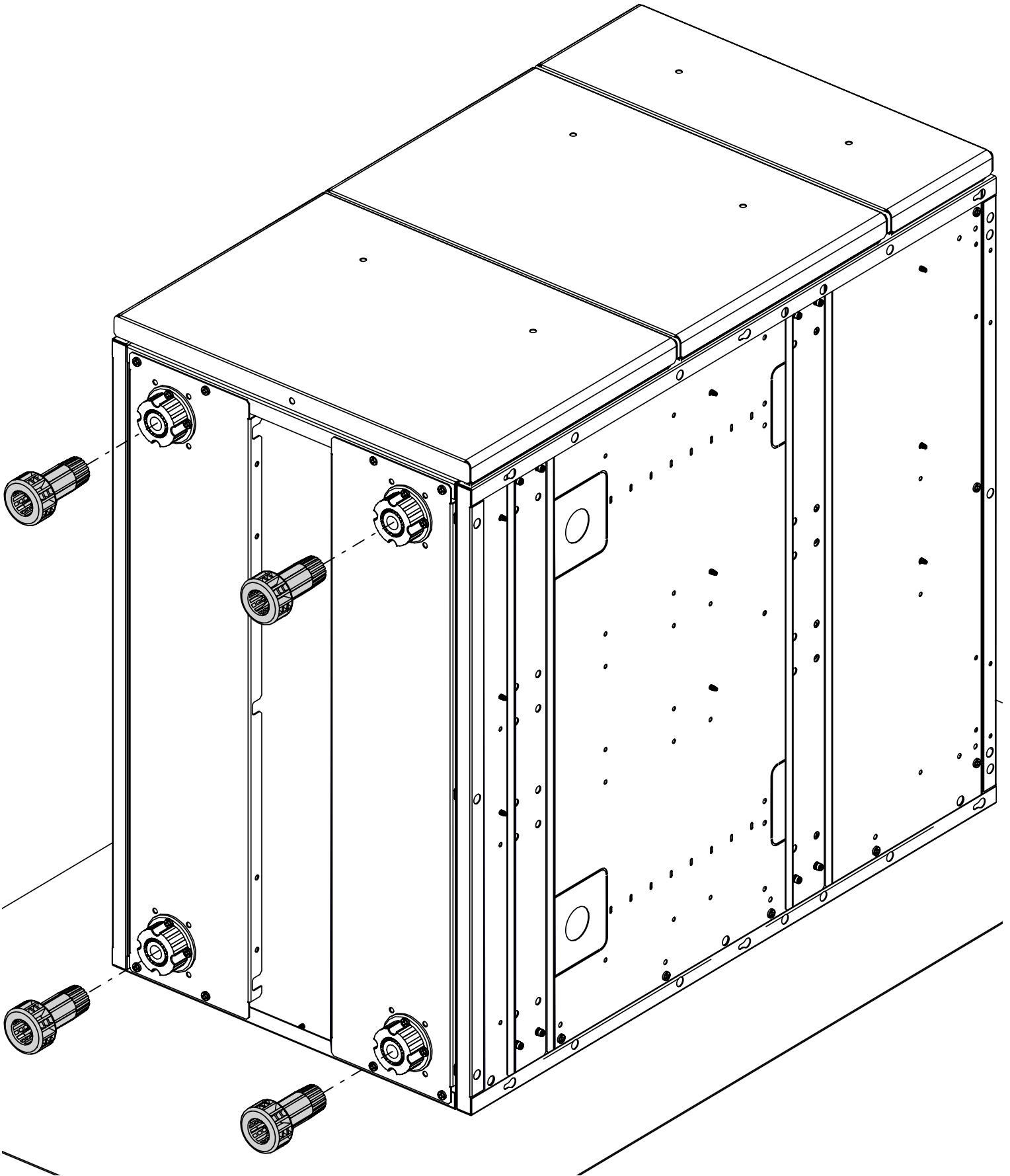


2

(16) 

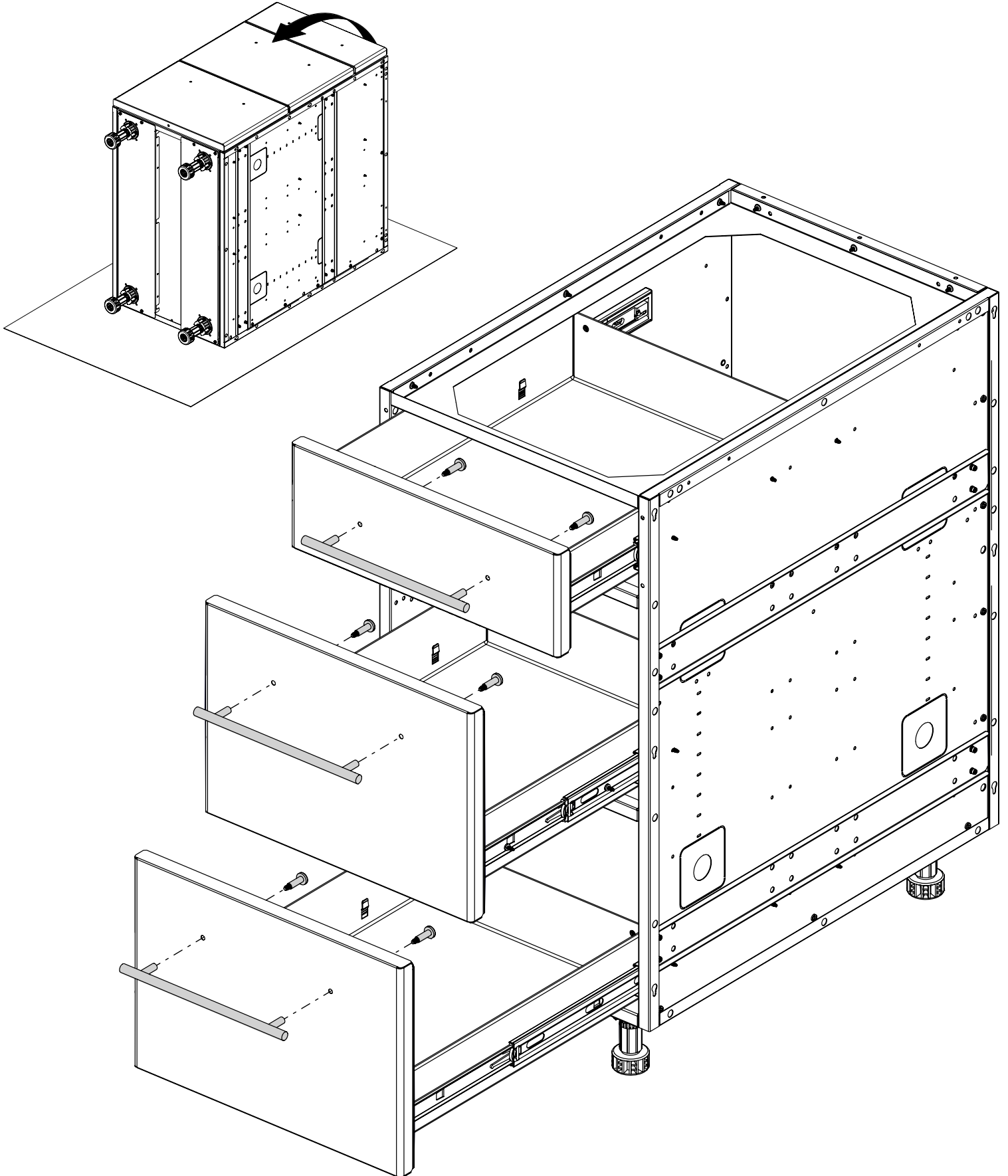
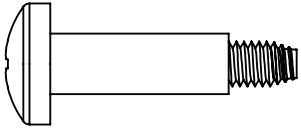


3

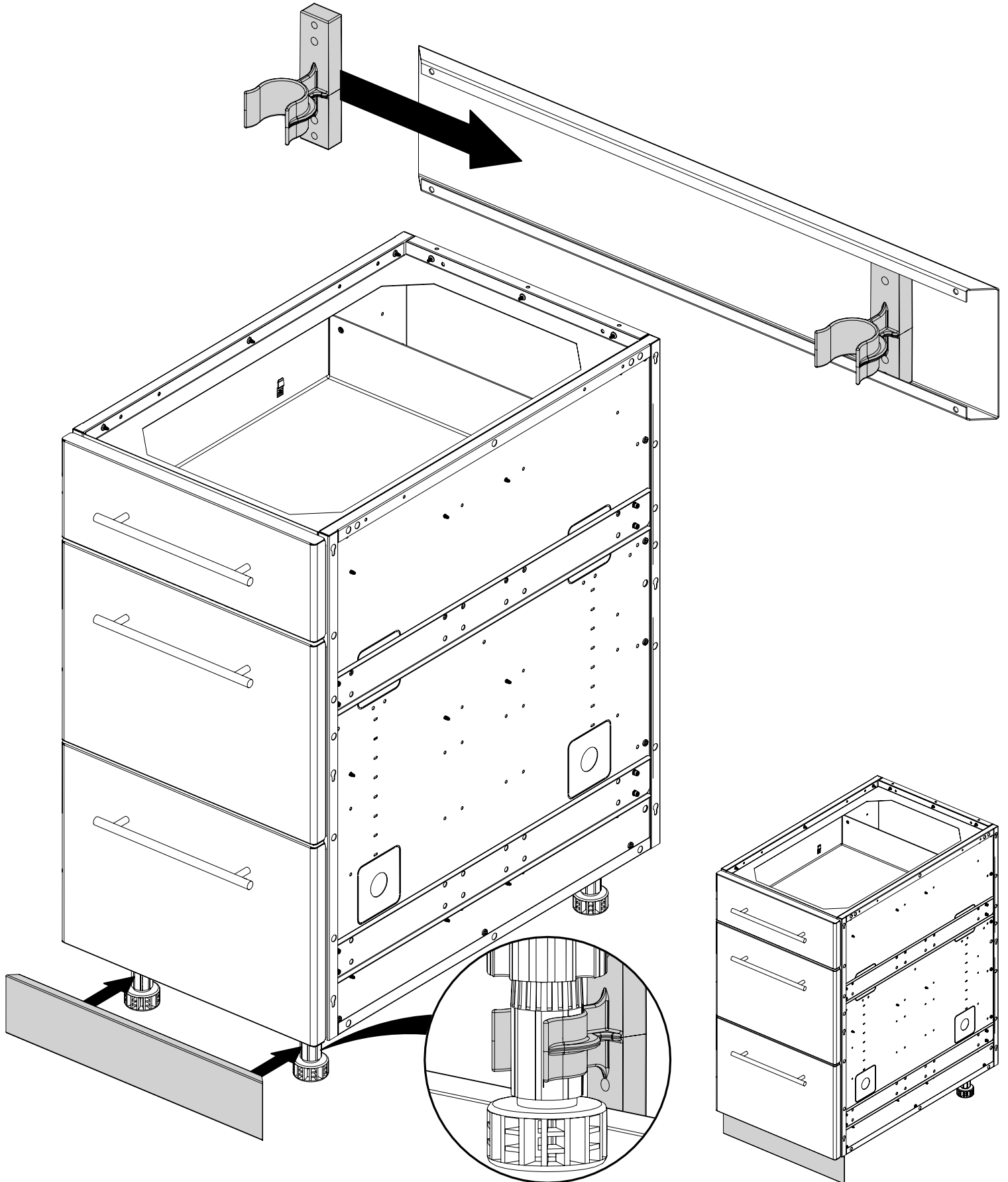


4

(6)

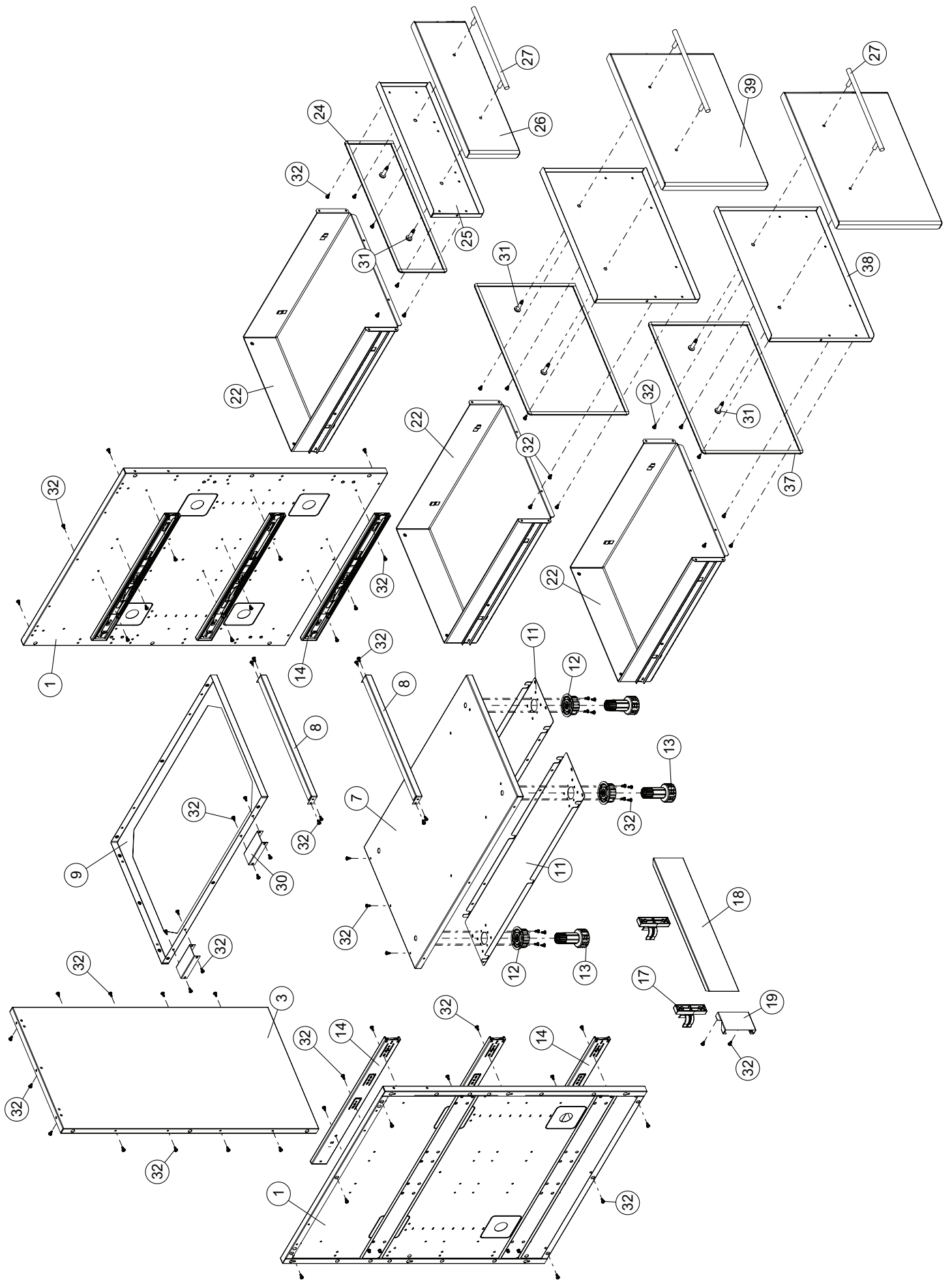


5



**PARTS LIST / LISTE DES PIECES / LISTA DE PARTES**

| <u>KEY #</u> | <u>ITEM #</u> | <u>DESCRIPTION</u>  | <u>DESCRIPTION</u>               | <u>DESCRIPTION</u>      | <u>802500</u> |
|--------------|---------------|---------------------|----------------------------------|-------------------------|---------------|
| 1            | 71289-183R    | SIDE PANEL          | PANNEAU LATERALE                 | PANEL LATERAL           | 2             |
| 3            | 71281-103     | REAR PANEL          | PANNEAU - ARRIERE                | PANEL - POSTERIOR       | 1             |
| 7            | 71091-103     | BASE                | TABLETTE INFERIEURE              | BASE                    | 1             |
| 8            | 71031-103     | DRAWER SUPPORT      | SUPPORT                          | SOPORTE                 | 2             |
| 9            | 71011-103     | UPPER BRACE         | SUPPORT SUPERIEUR                | SUPPORT SUPERIEUR       | 1             |
| 11           | 71639-103     | CASTOR BRACKET      | SUPPORT DE ROULETTE              | SOPORTE - PARA RUEDITA  | 2             |
| 12           | 71039-078     | LEVELER BRACKET     | TETE DE NIVELEUR A VISSER        | CABEZA PARA NIVELADOR   | 4             |
| 13           | 71099-078     | LEVELER LEG         | NIVELEUR DE CAISSON              | NIVELADOR               | 4             |
| 14           | Y-99103       | DRAWER SLIDE        | GLISSIERE DE TIROIR              | SOPORTE - CAJÓN         | 3             |
| 17           | 71039-108     | KICK PLATE LEG CLIP | ATTACHE POUR COUP-DE-PIED        | GRAPA PARA NIVELADOR    | 2             |
| 18           | 71503-003     | KICK PLATE          | PLAQUE COUP-DE-PIED              | RODAPIÉS                | 1             |
| 19           | 71530-163     | KICK PLATE BRACKET  | SUPPORT POUR PLAQUE COUP-DE-PIED | BASE PARA GRAPA         | 1             |
| 22           | 77061-113R    | DRAWER              | TIROIR                           | CAJÓN                   | 3             |
| 24           | 71049-902     | DRAWER GASKET       | JOINT DE TIROIR                  | SELLO DE CAJÓN          | 1             |
| 25           | 77261-213     | DRAWER INNER PANEL  | PANNEAU INTERIEUR DE TIROIR      | PANEL INTERIOR CAJÓN    | 1             |
| 26           | 77361-213     | DRAWER OUTER PANEL  | PANNEAU EXTERIEUR DU TIROIR      | PANEL DE CAJÓN EXTERIOR | 1             |
| 27           | 76100-933A    | HANDLE              | POIGNEE                          | MANGO                   | 3             |
| 30           | 76039-103     | CABINET CLAMP       | PINCE DE CABINET                 | ALICATES PARA GABINETE  | 2             |
| 31           | Y-11567       | SCREW M8 SHOULDER   | VIS M8                           | TOURNILLO M8            | 6             |
| 32           | Y-29304S      | SCREW #10-24 X 3/8  | VIS #10-24 X 3/8                 | TOURNILLO #10-24 X 3/8  | 98            |
| 37           | 71049-903     | DRAWER GASKET       | JOINT DE TIROIR                  | SELLO DE CAJÓN          | 2             |
| 38           | 77261-223     | DRAWER INNER PANEL  | PANNEAU INTERIEUR DE TIROIR      | PANEL INTERIOR CAJÓN    | 2             |
| 39           | 77361-223     | DRAWER OUTER PANEL  | PANNEAU EXTERIEUR DU TIROIR      | PANEL DE CAJÓN EXTERIOR | 2             |





# Broil King®

---

---

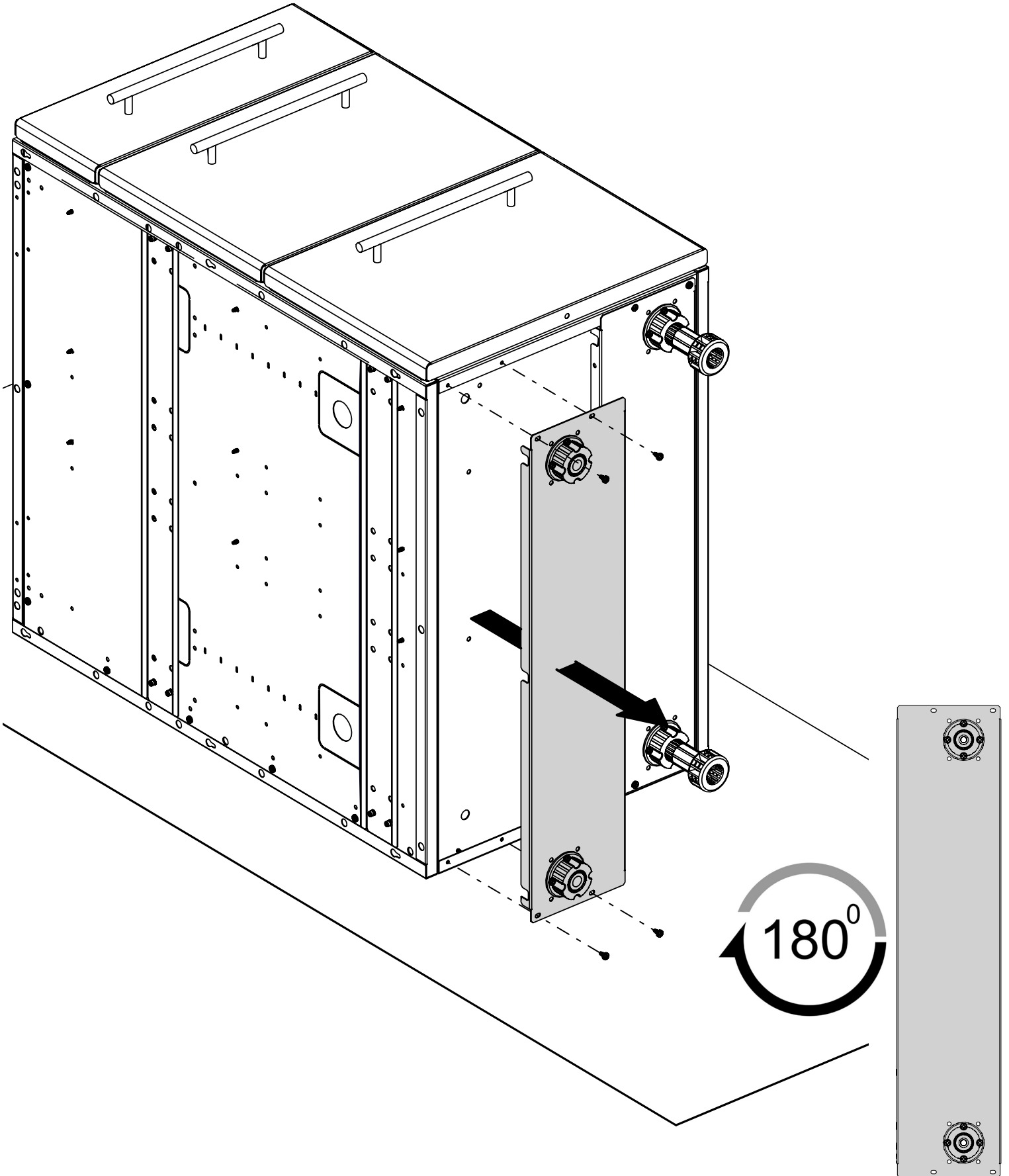


---

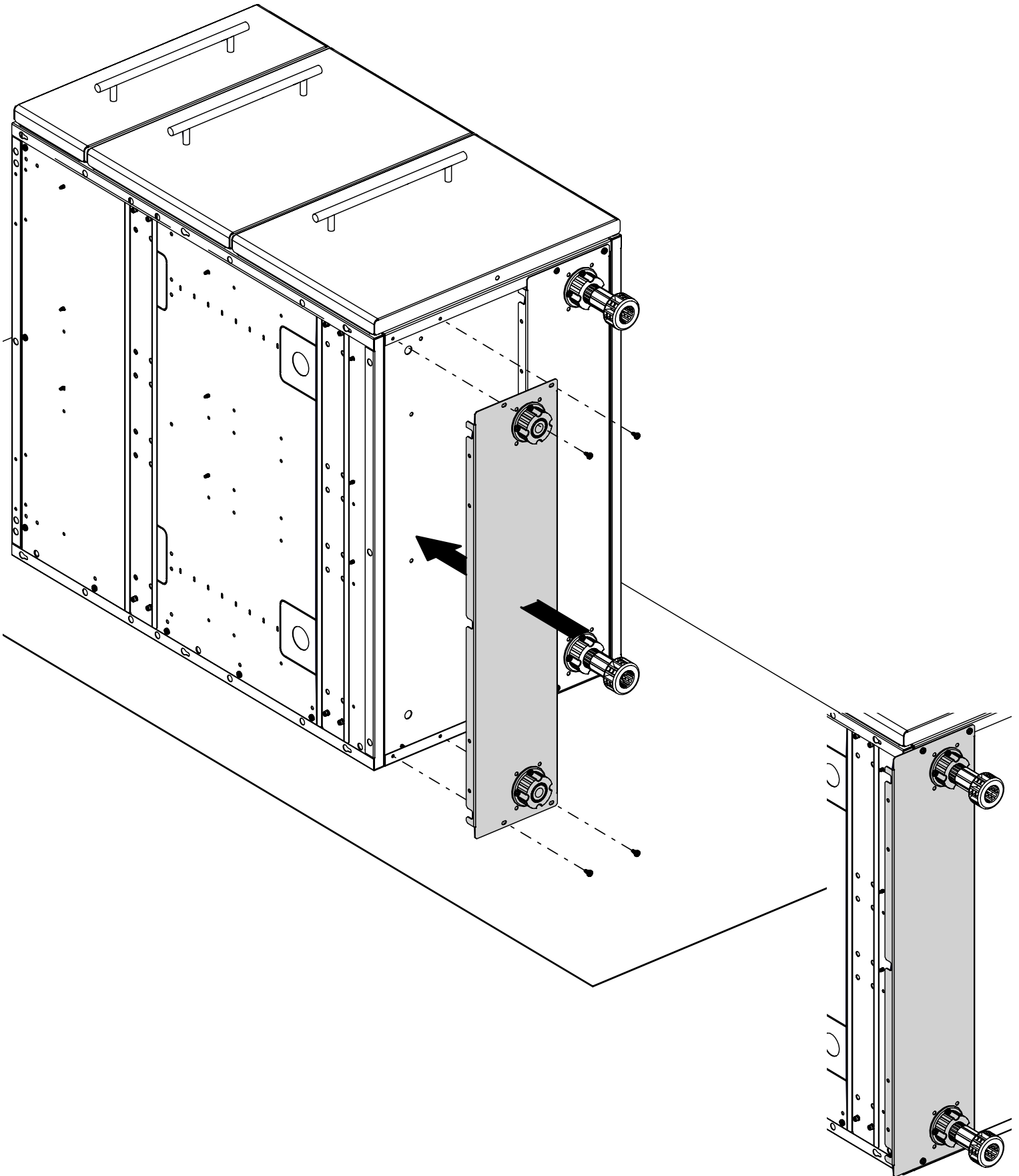
---

*Onward*  
MANUFACTURING COMPANY LIMITED  
SINCE 1906  
585 KUMPF DRIVE  
WATERLOO, ONTARIO, CANADA  
N2V 1K3

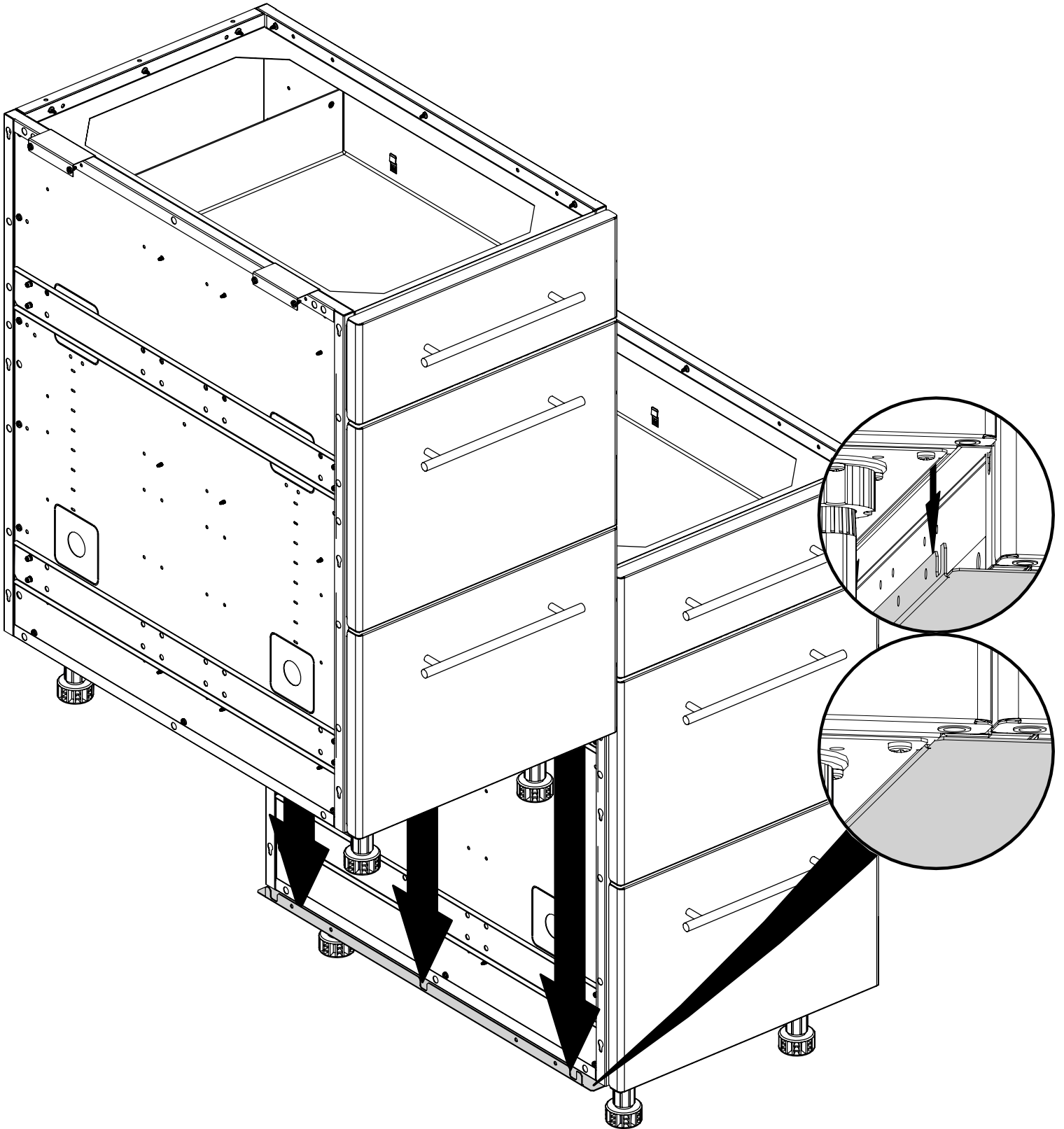
1



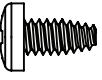
2

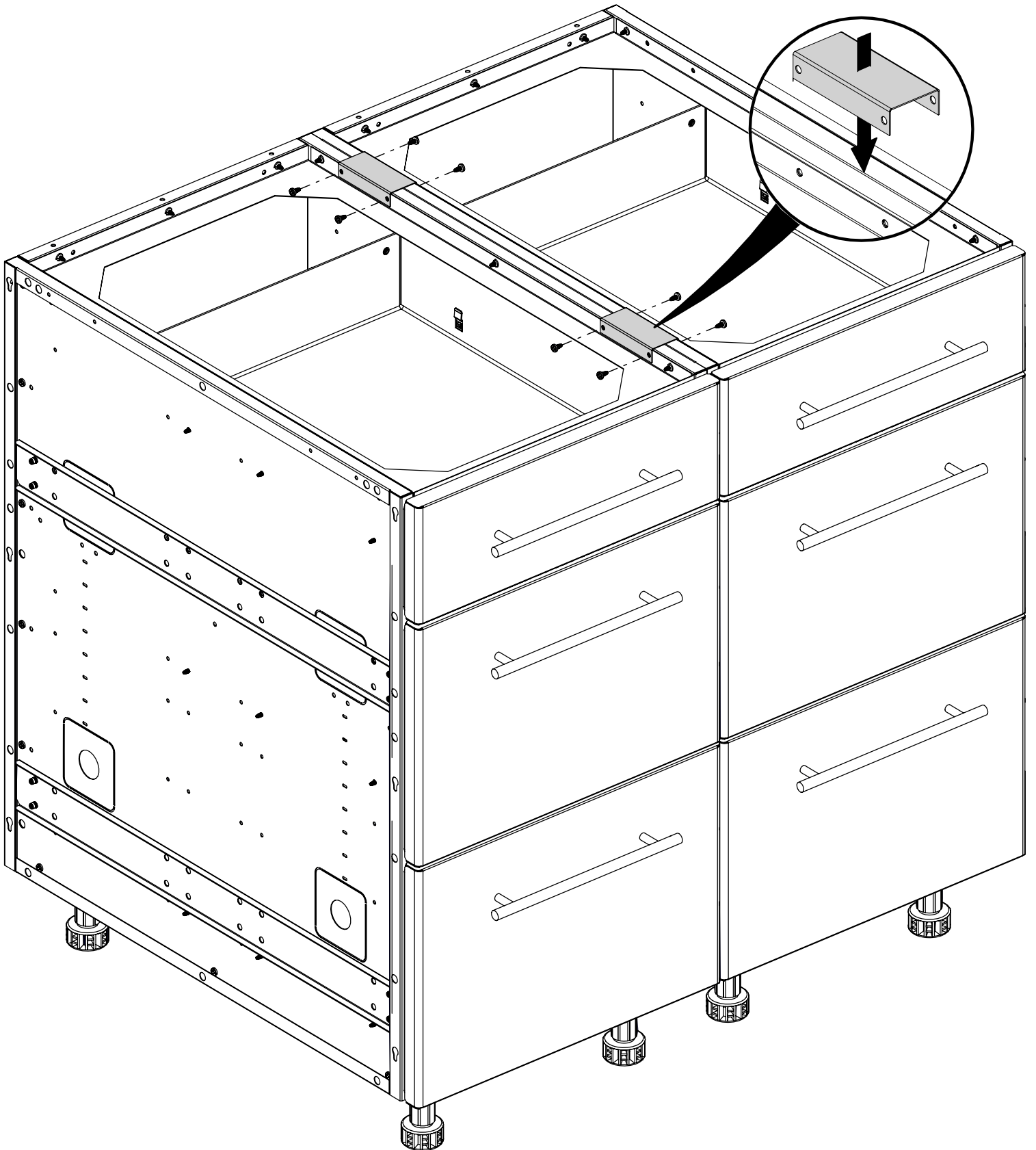


3

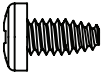


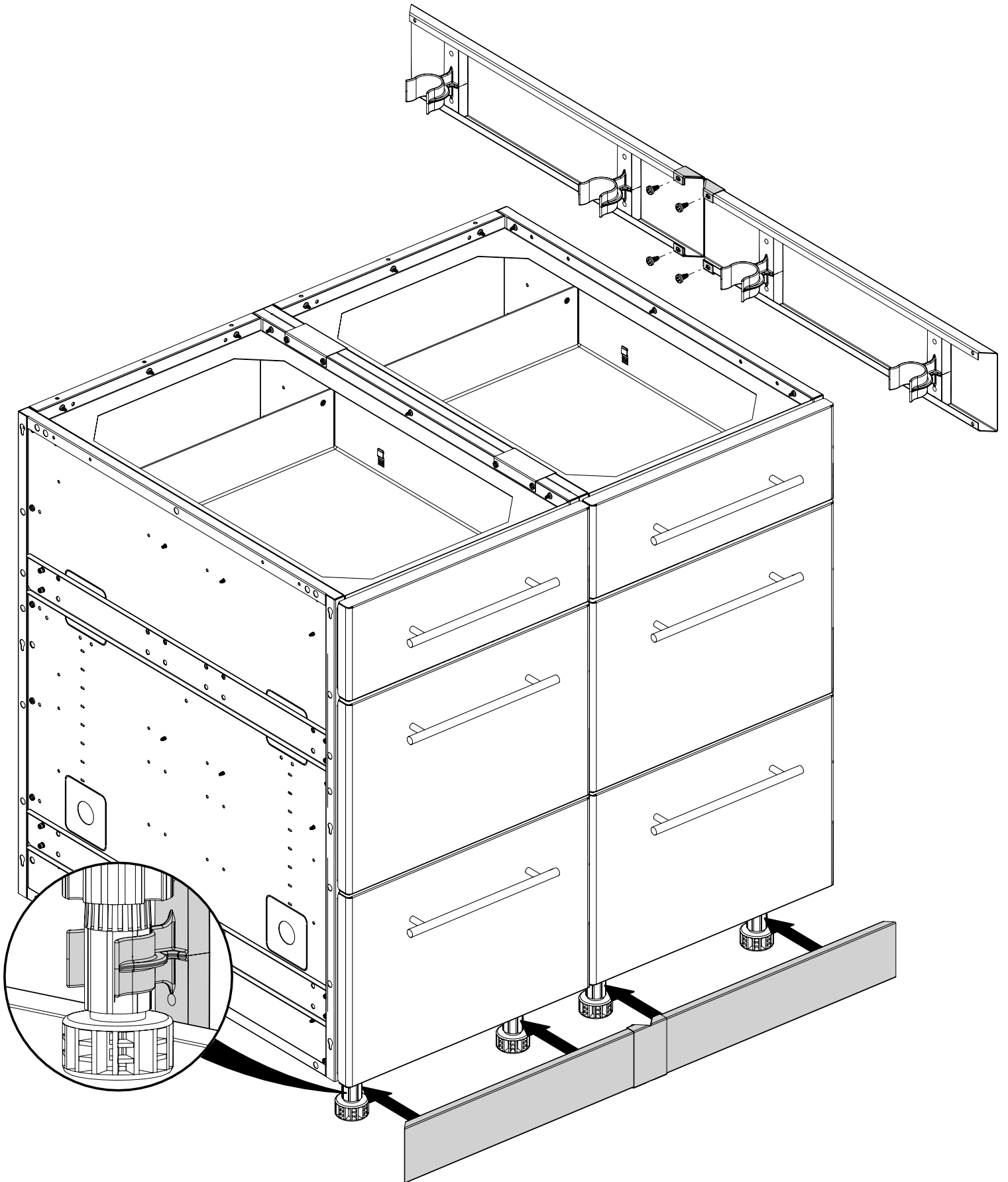
4

(8) 



5

(4) 



6

