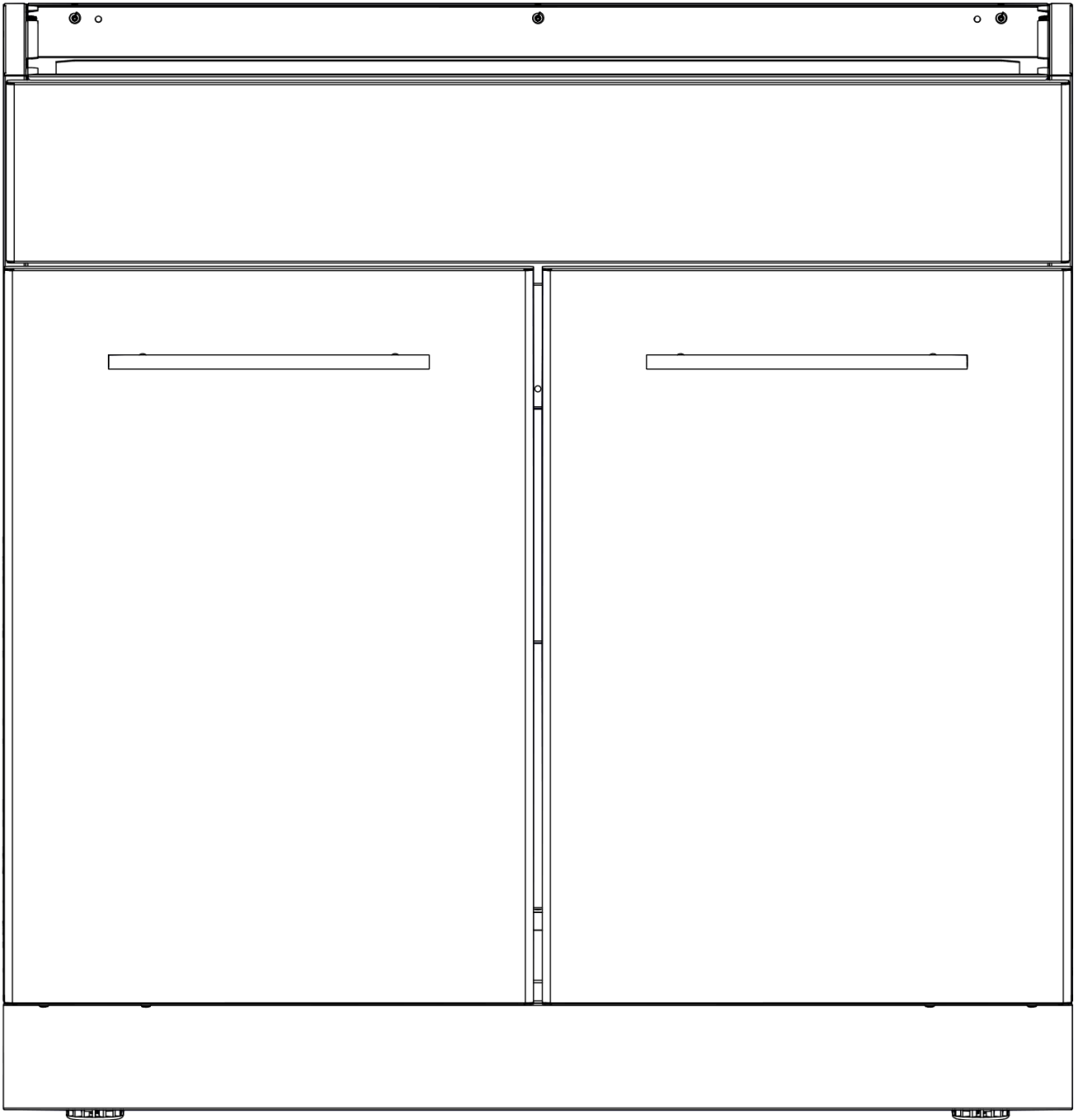


# Broil King®

ASSEMBLY MANUAL & PARTS LIST - MANUEL DE MONTAGE & LISTE DE PIÈCES - MANUAL DE ARMADO Y LISTA DE PARTES



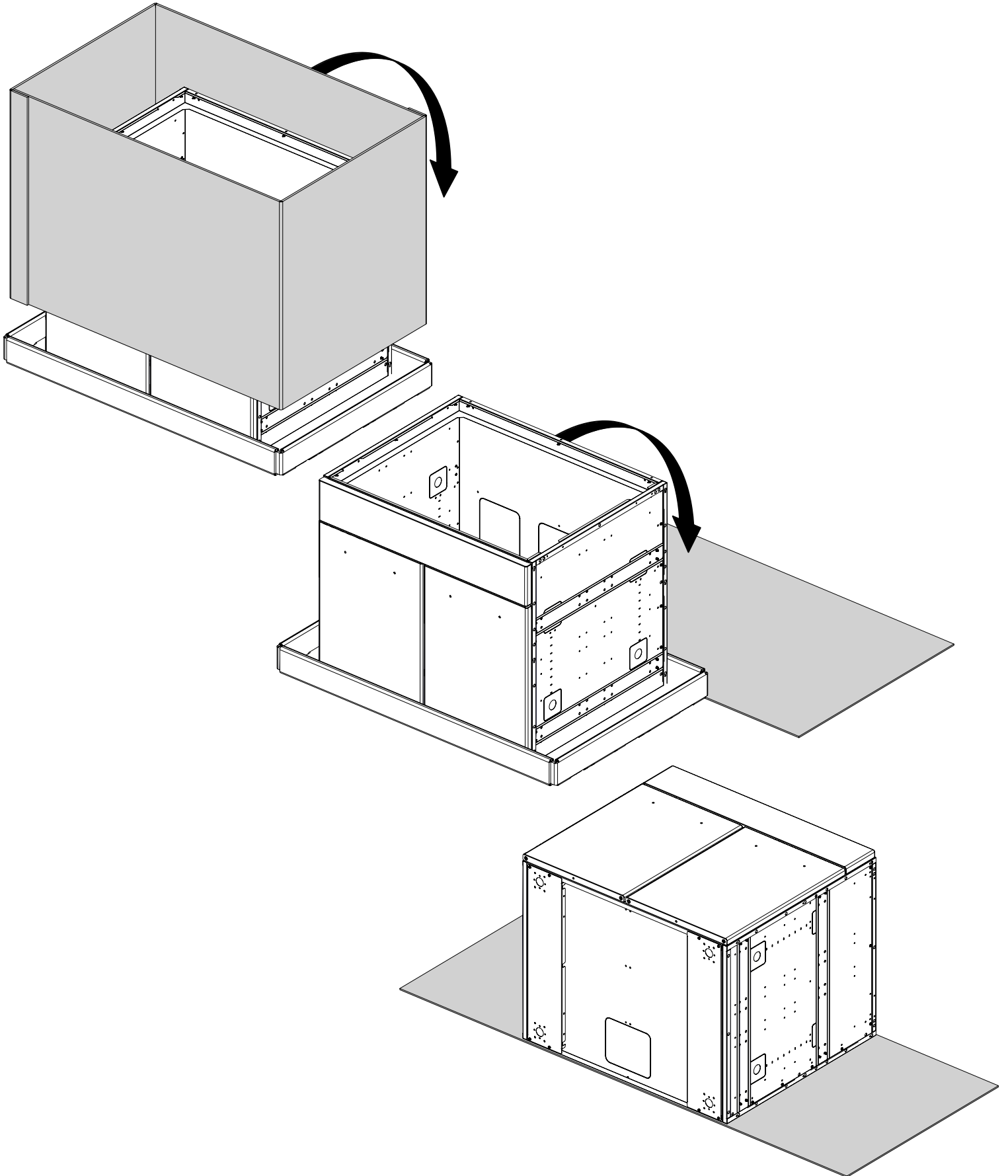
**Broil King**  
804200

RETAIN FOR FUTURE REFERENCE - VEUILLEZ CONSERVER POUR REFERENCE ULTERIEURE - CONSERVAR PARA FUTURAS CONSULTAS

*Onward*  
SINCE 1906  
**MANUFACTURING COMPANY**  
585 KUMPF DRIVE LIMITED  
WATERLOO, ONTARIO, CANADA  
N2V 1K3

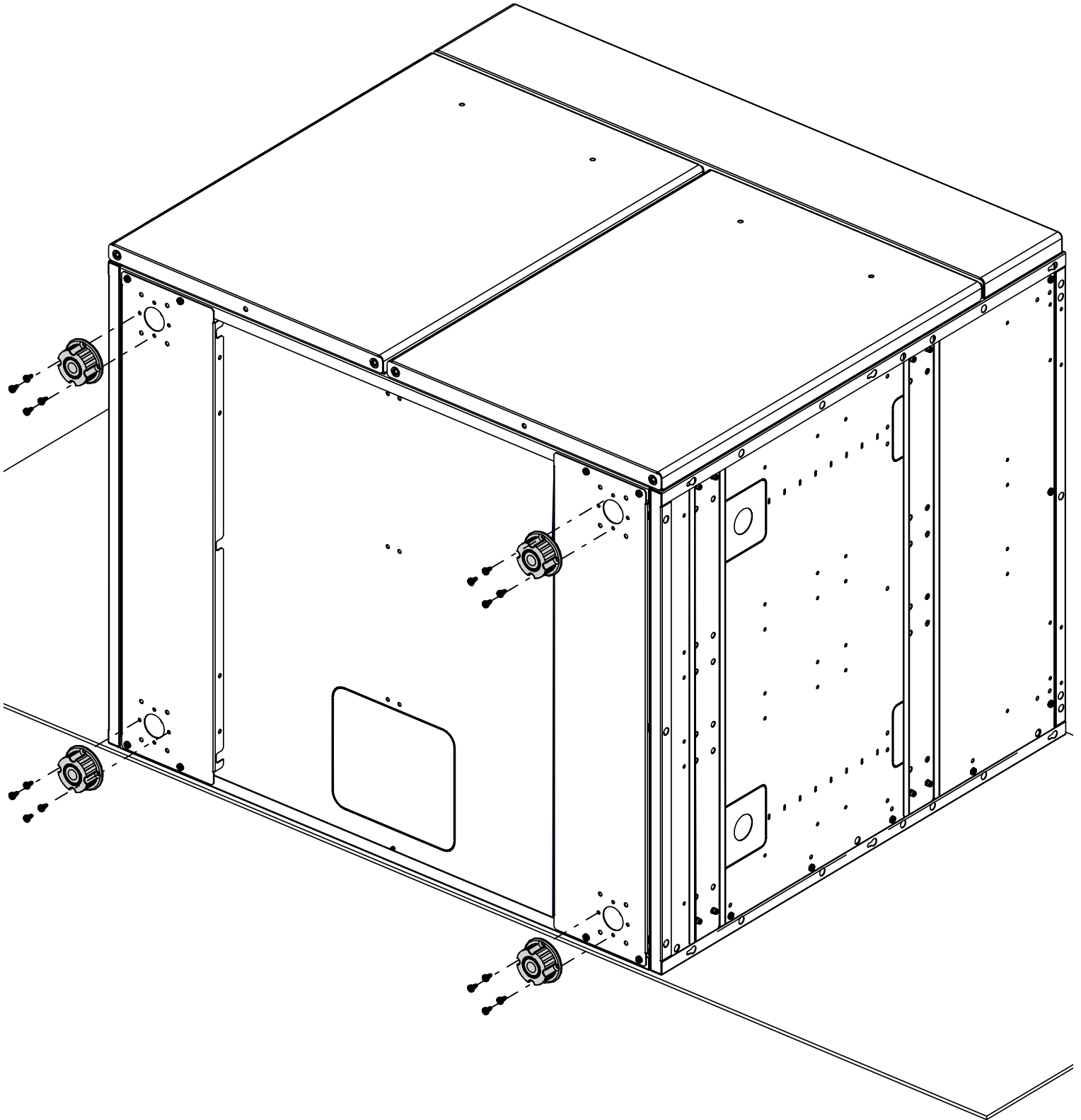
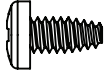
70084-E53 REV A 04/20

1

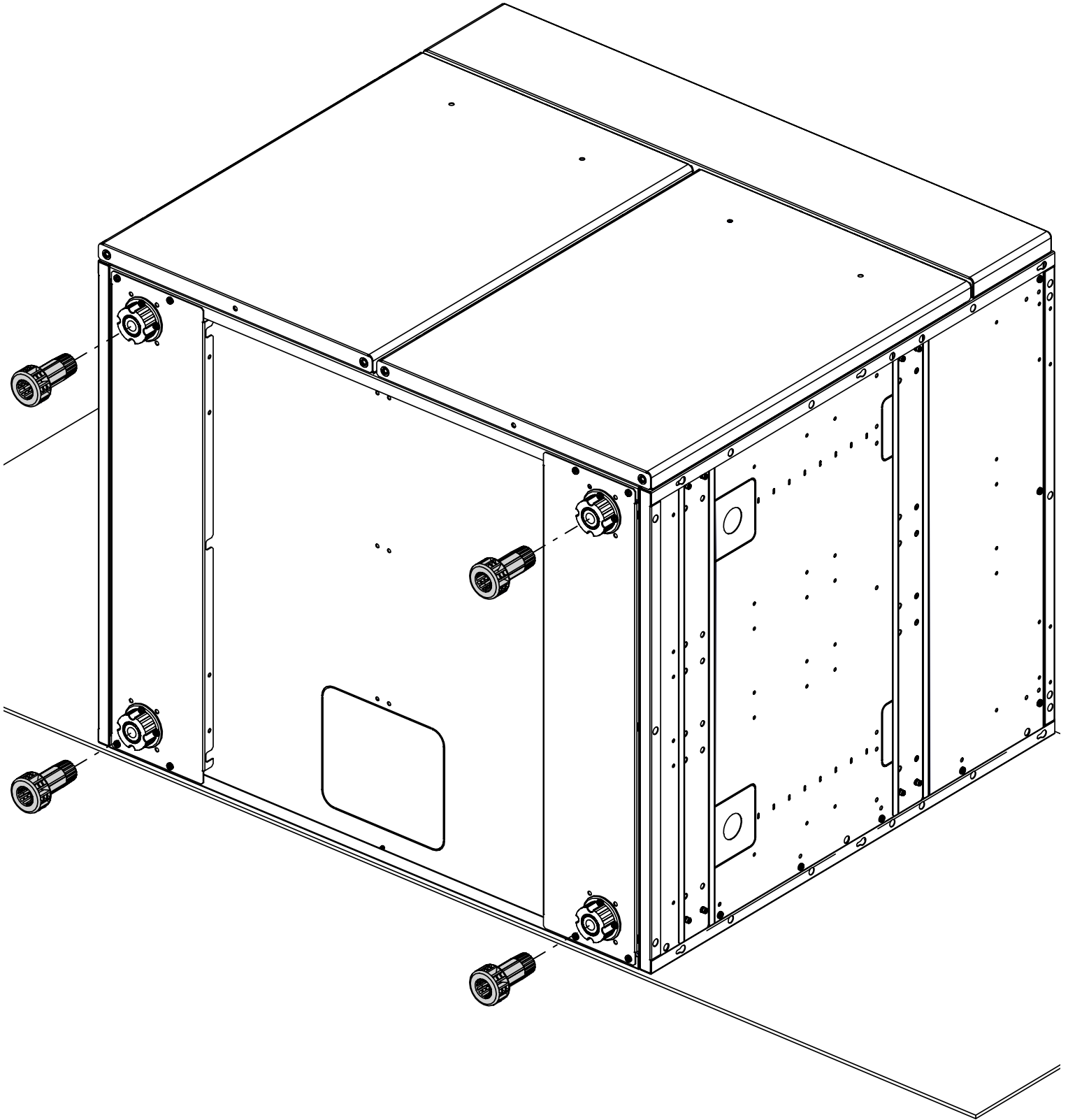


2

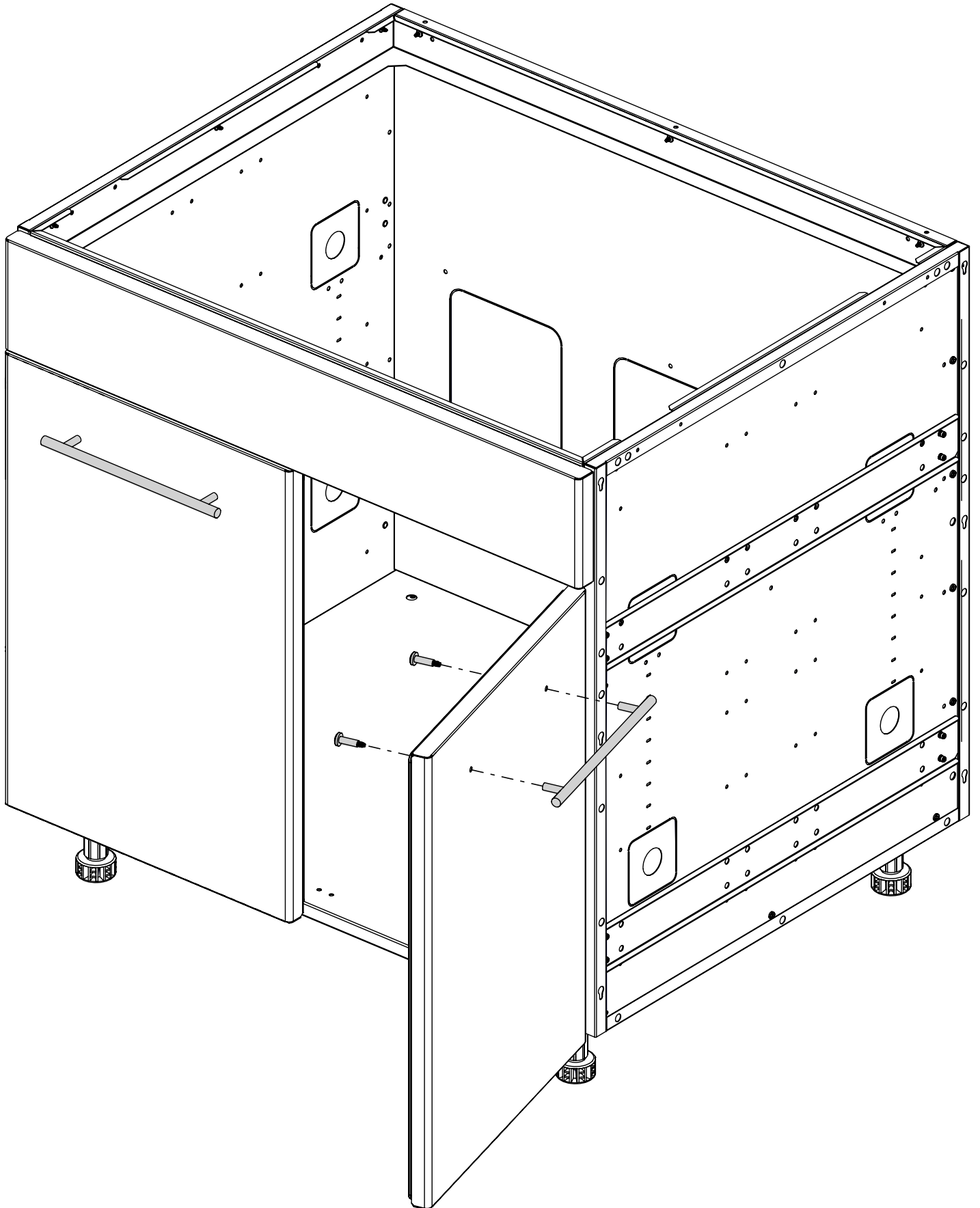
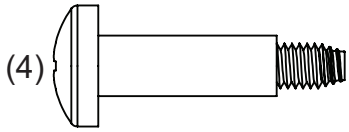
(16)



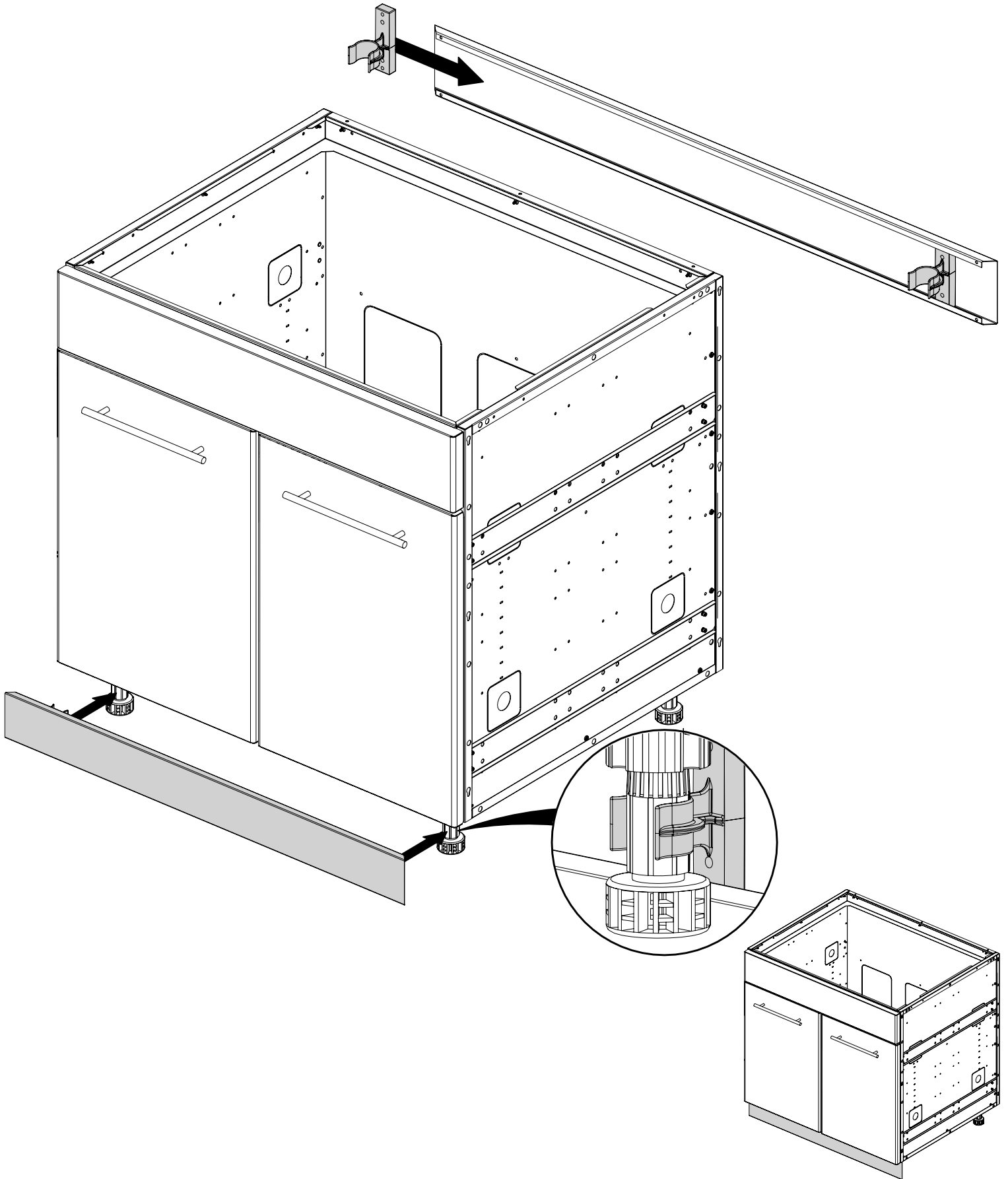
3



4

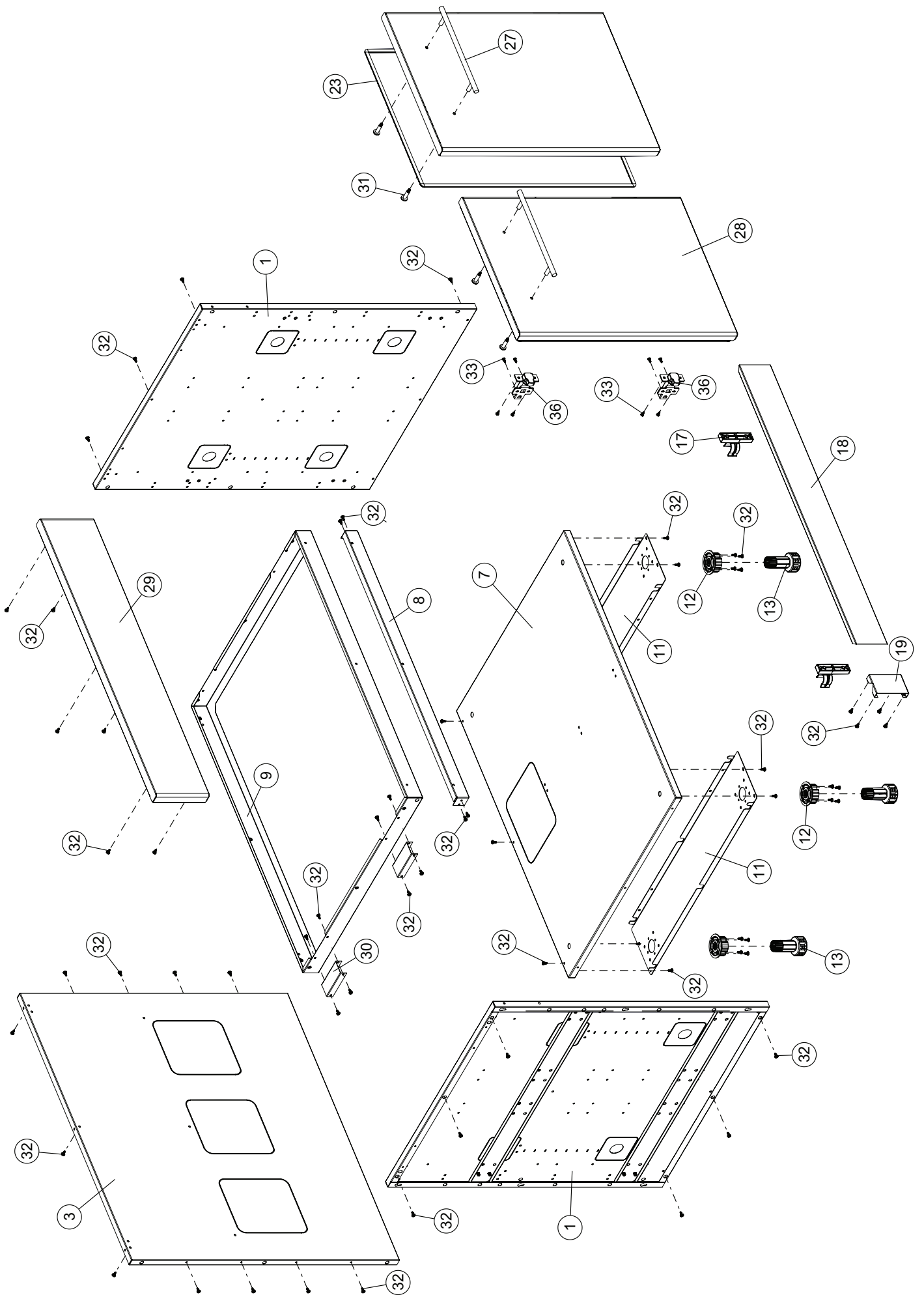


5



**PARTS LIST / LISTE DES PIECES / LISTA DE PARTES**

<u>KEY #</u>	<u>ITEM #</u>	<u>DESCRIPTION</u>	<u>DESCRIPTION</u>	<u>DESCRIPTION</u>	<u>804200</u>
1	71289-183R	SIDE PANEL	PANNEAU LATERALE	PANEL LATERAL	2
3	71282-103	REAR PANEL	PANNEAU - ARRIERE	PANEL - POSTERIOR	1
7	71092-103	BASE	TABLETTE INFERIEURE	BASE	1
8	71032-103	DRAWER SUPPORT	SUPPORT	SOPORTE	1
9	71012-103	UPPER BRACE	SUPPORT SUPERIEUR	SUPPORT SUPERIEUR	1
11	71639-103	CASTOR BRACKET	SUPPORT DE ROULLETTE	SOPORTE - PARA RUEDITA	2
12	71039-078	LEVELER BRACKET	TETE DE NIVELEUR A VISSER	CABEZA PARA NIVELADOR	4
13	71099-078	LEVELER LEG	NIVELEUR DE CAISSON	NIVELADOR	4
17	71039-108	KICK PLATE LEG CLIP	ATTACHE POUR COUP-DE-PIED	GRAPA PARA NIVELADOR	2
18	71509-003	KICK PLATE	PLAQUE COUP-DE-PIED	RODAPIÉS	1
19	71530-163	KICK PLATE BRACKET	SUPPORT POUR PLAQUE COUP-DE-PIED	BASE PARA GRAPA	1
23	71049-901	DOOR GASKET	JOINT DE PORTE	SELLO DE PUERTA	2
27	76100-933A	HANDLE	POIGNEE	MANGO	2
28	77071-203A	DOOR ASSEMBLY	PORTE	PUERTA	2
29	71212-103	FRONT FACIA	PANNEAU AVANT	PANEL FRONTAL	1
30	76039-103	CABINET CLAMP	PINCE DE CABINET	ALICATES PARA GABINETE	2
31	Y-11567	SCREW M8 SHOULDER	VIS M8	TOURNILLO M8	4
32	Y-29304S	SCREW #10-24 X 3/8	VIS #10-24 X 3/8	TOURNILLO #10-24 X 3/8	72
33	S21127S	SCREW #8-32 x 7/16	VIS #8-32 x 7/16	TOURNILLO #8-32 x 7/16	16
36	76079-90	DOOR HINGE	CHARNIERE	BISAGRA	4





# Broil King®

---

---

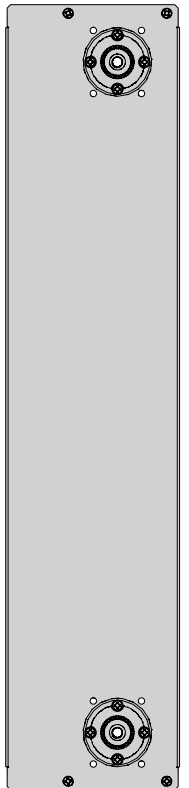
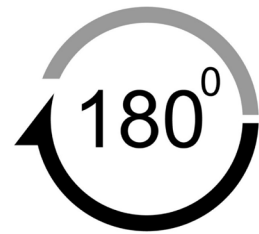
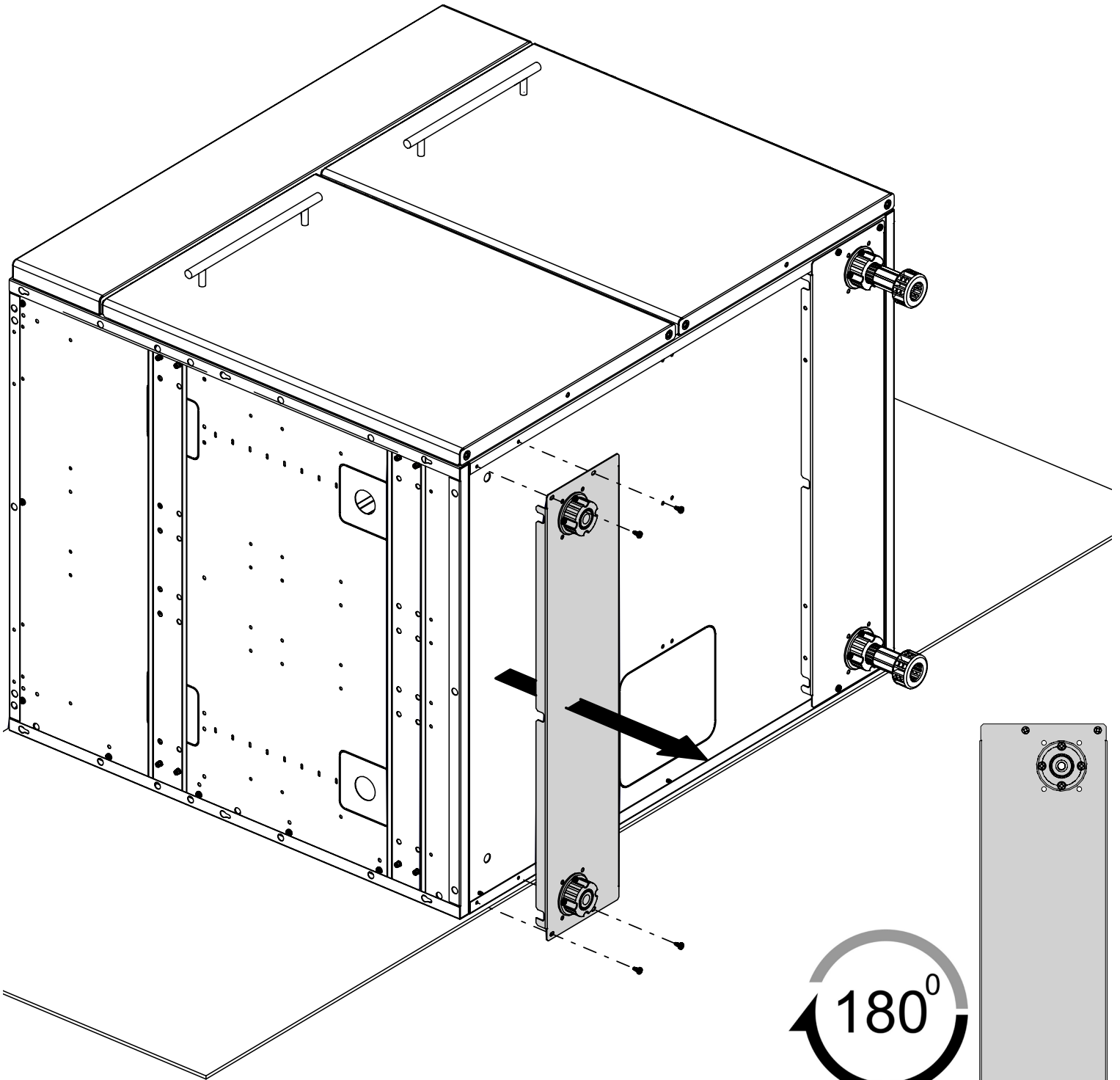


---

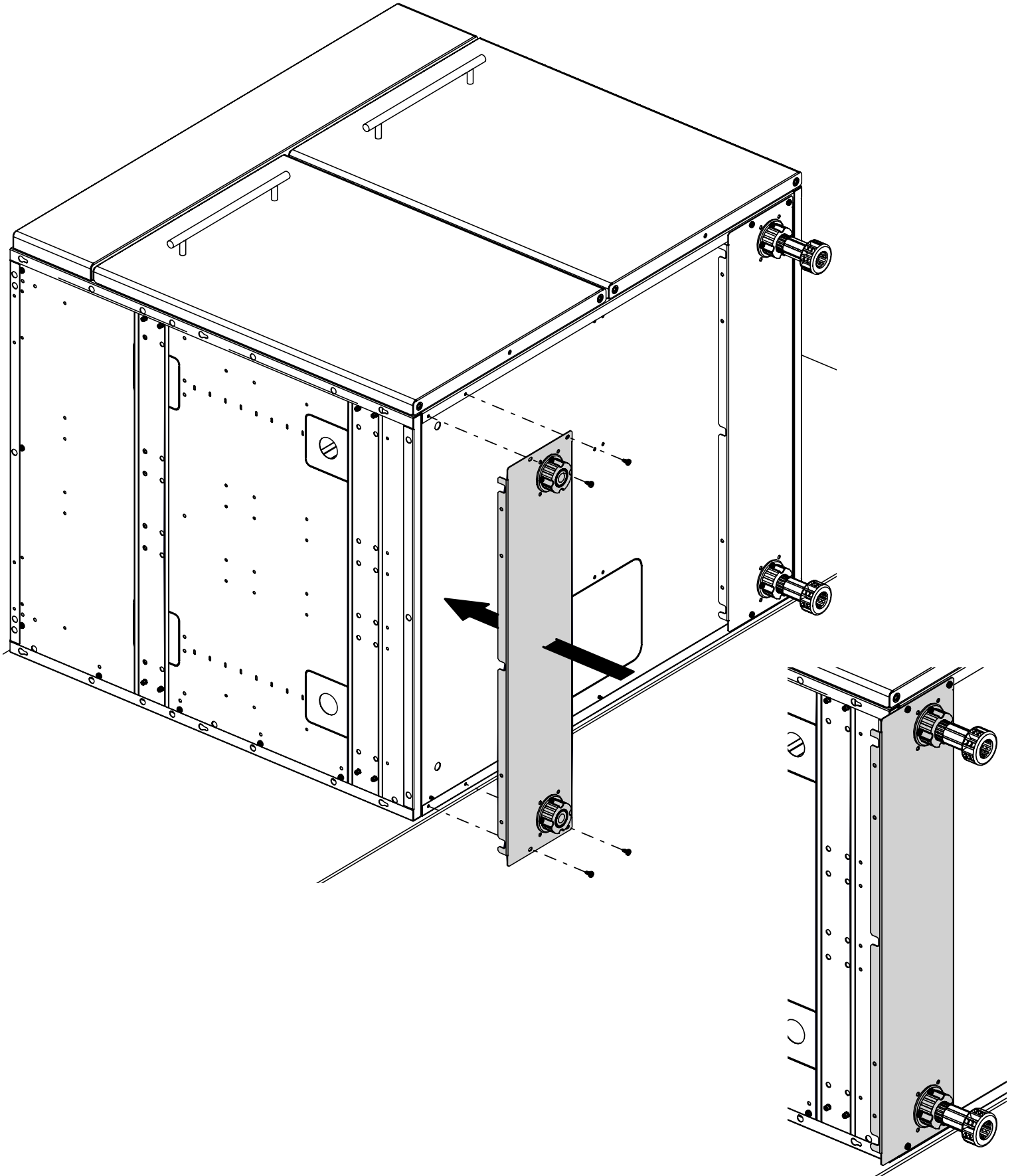
---

*Onward*  
MANUFACTURING COMPANY LIMITED  
SINCE 1906  
585 KUMPF DRIVE  
WATERLOO, ONTARIO, CANADA  
N2V 1K3

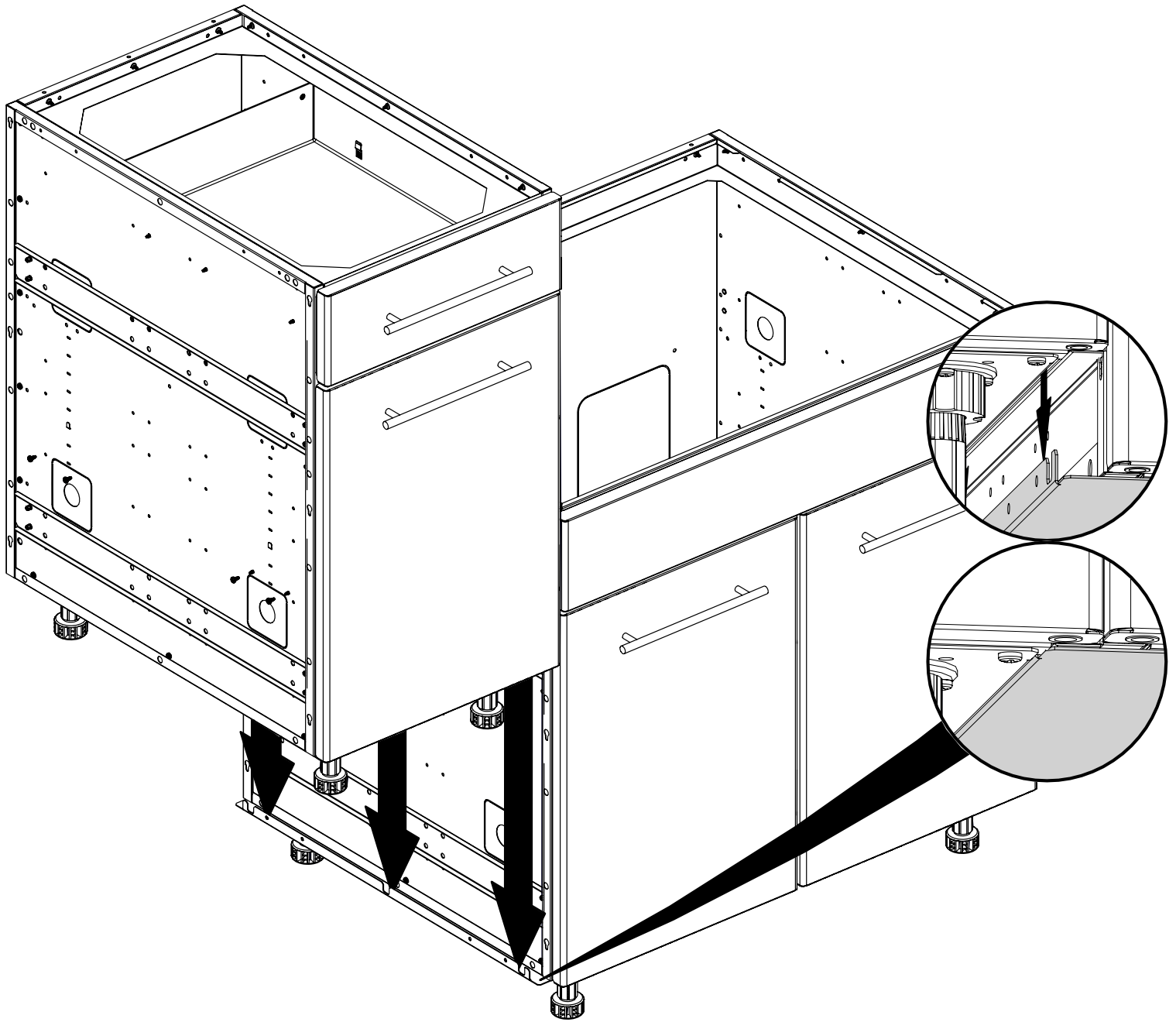
1



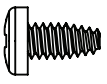
2

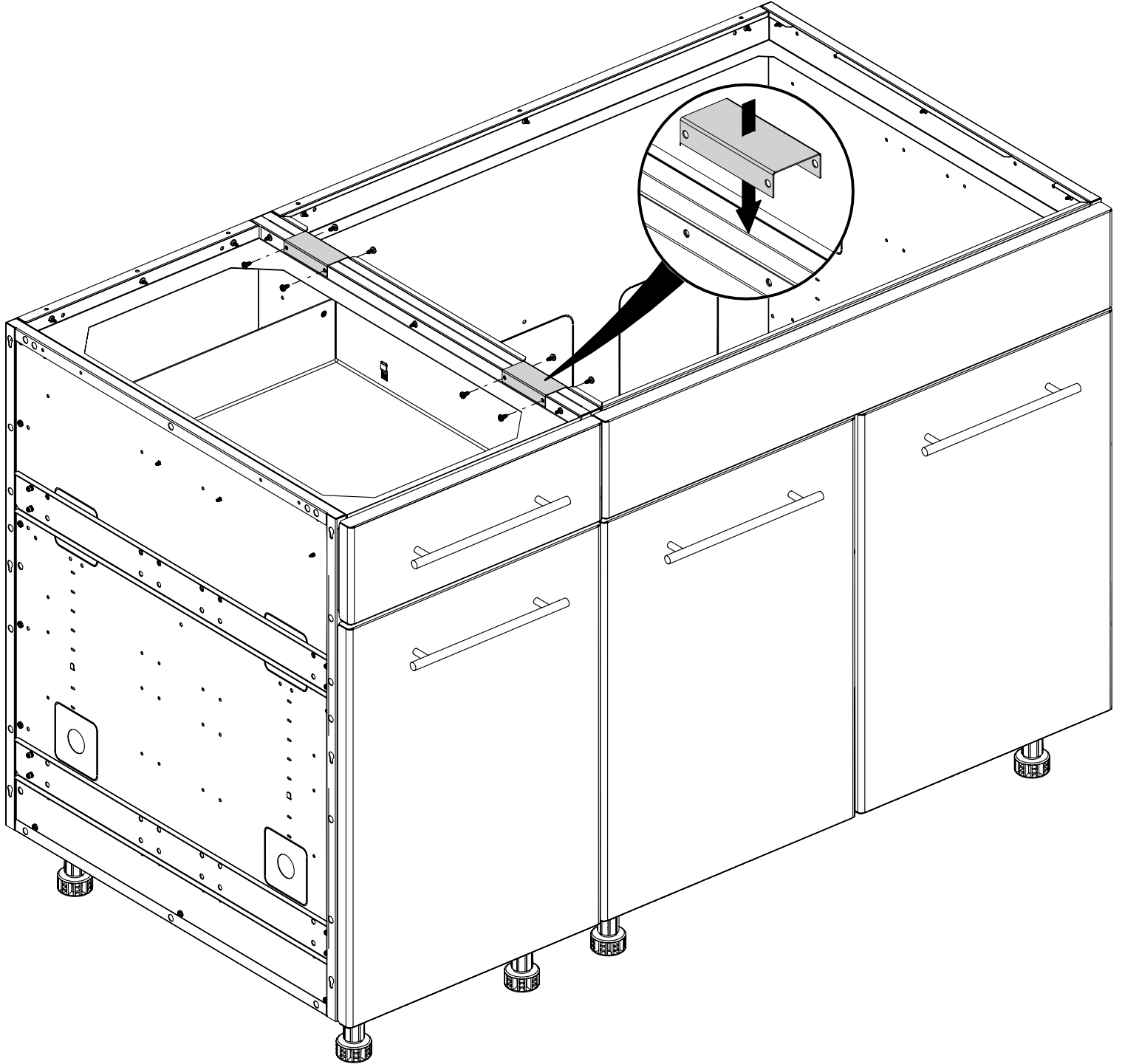


3

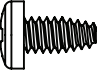


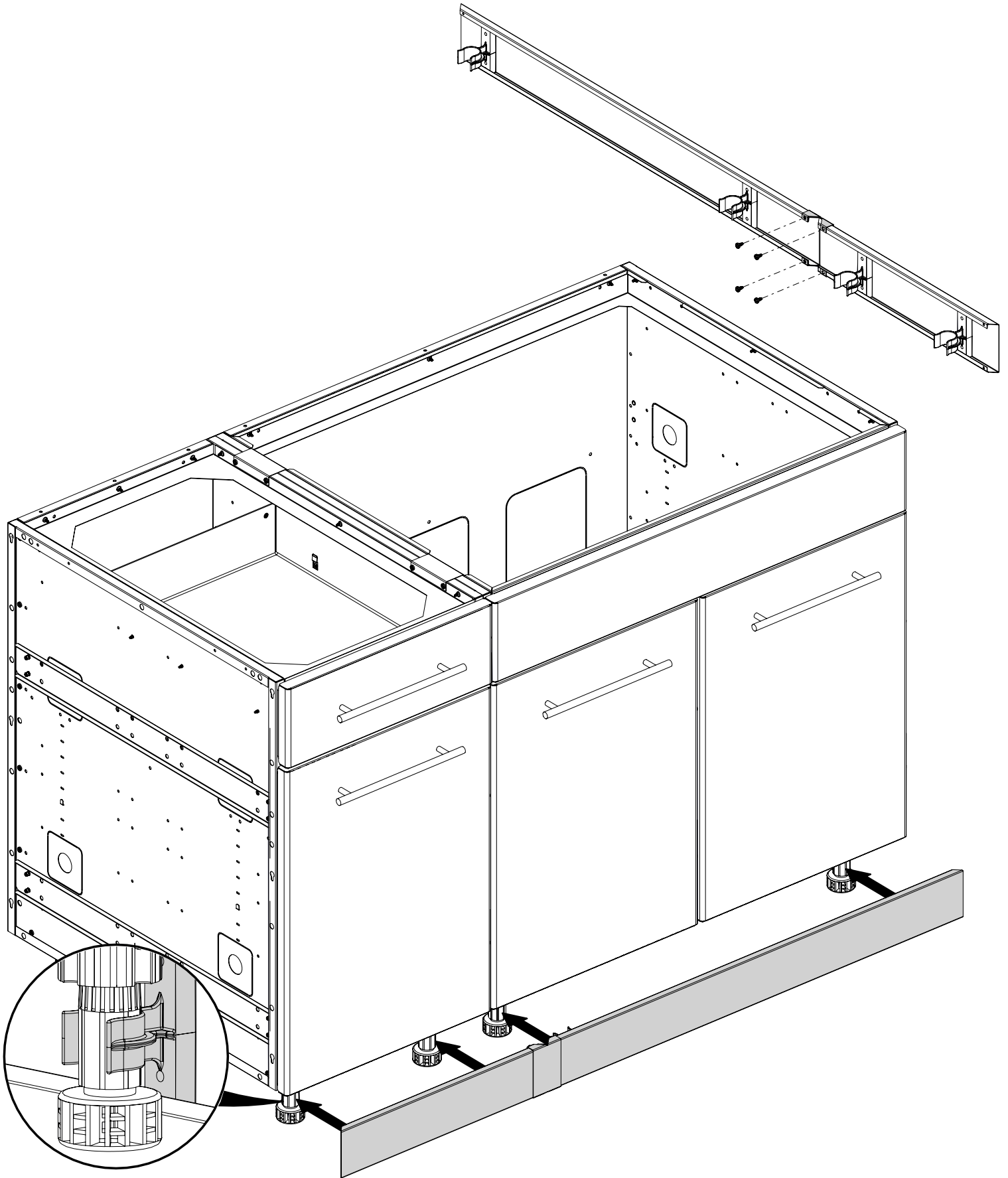
4

(8) 



5

(4) 



6

