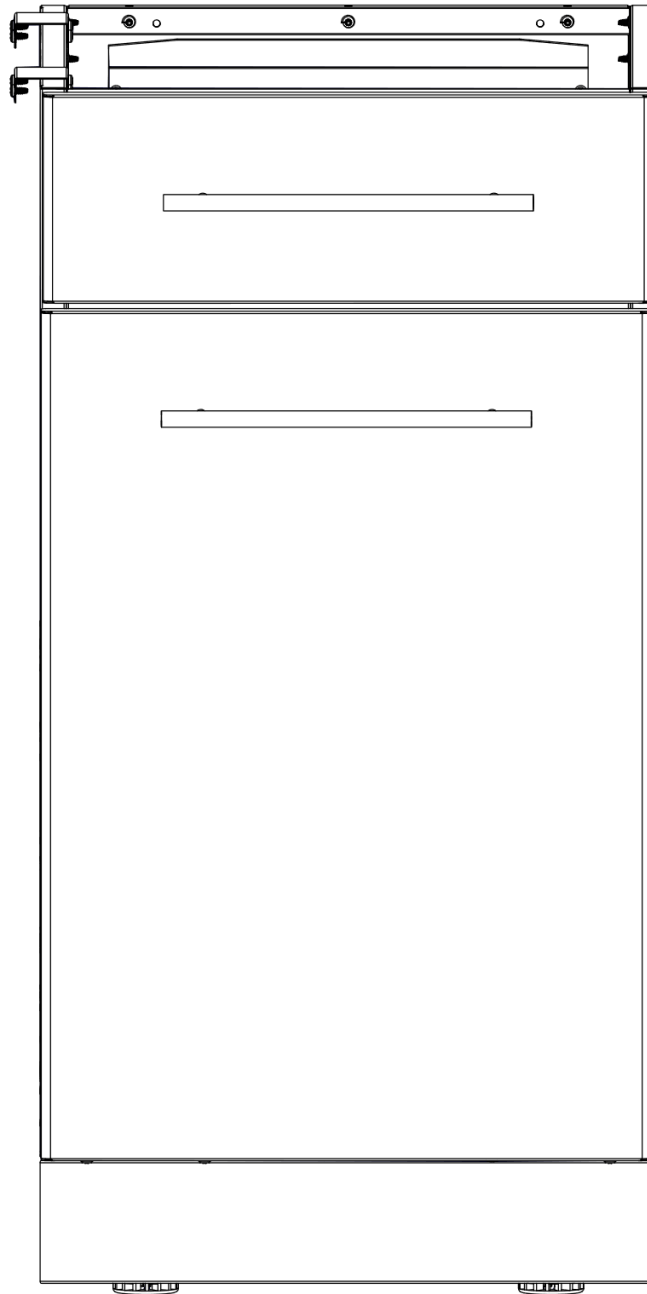


Broil King®

ASSEMBLY MANUAL & PARTS LIST - MANUEL DE MONTAGE & LISTE DE PIECES - MANUAL DE ARMADO Y LISTA DE PARTES



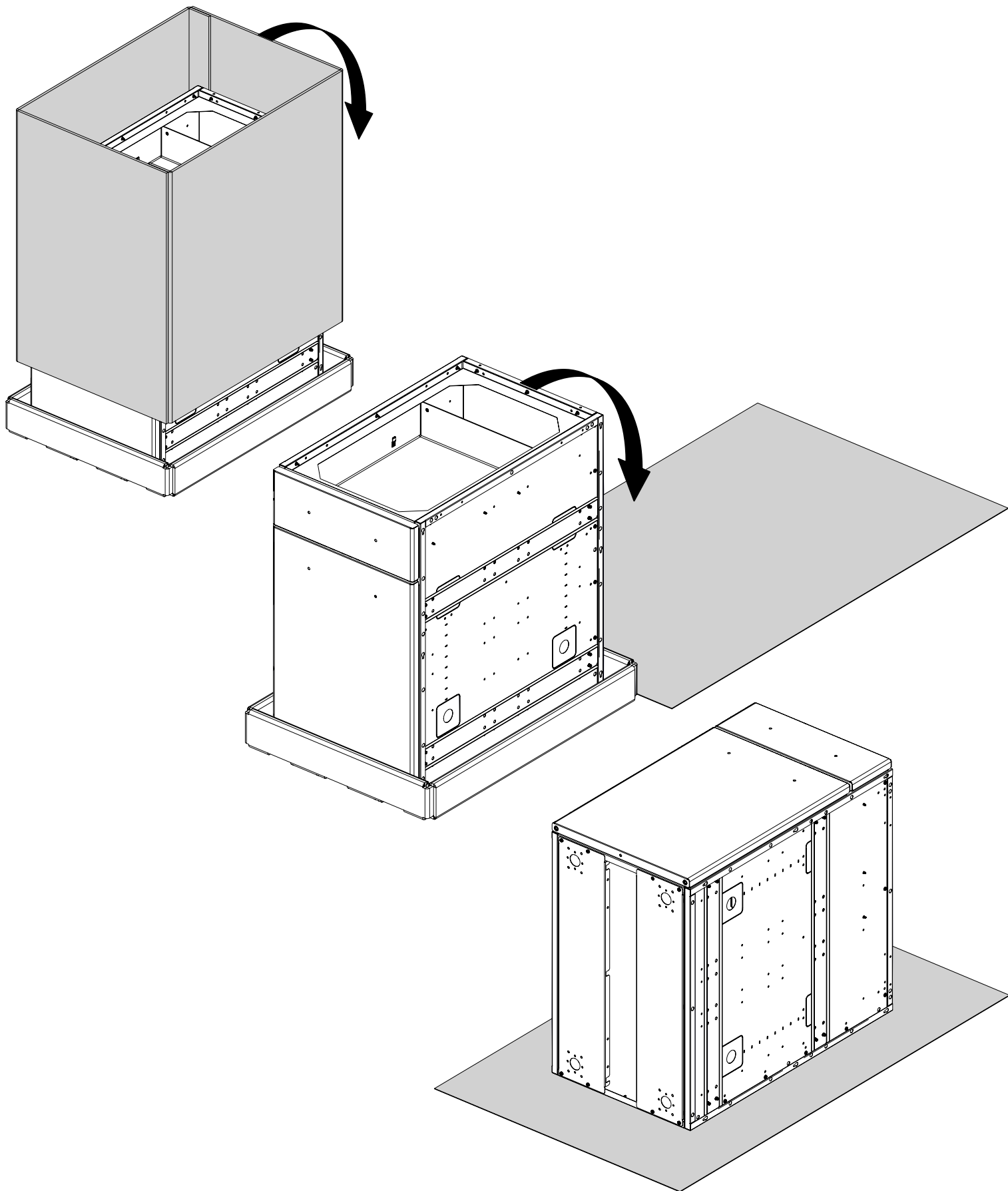
Broil King
802300

RETAIN FOR FUTURE REFERENCE - VEUILLEZ CONSERVER POUR REFERENCE ULTERIEURE - CONSERVAR PARA FUTURAS CONSULTAS

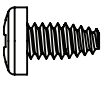
Onward
SINCE 1906
MANUFACTURING COMPANY
585 KUMPF DRIVE LIMITED
WATERLOO, ONTARIO, CANADA
N2V 1K3

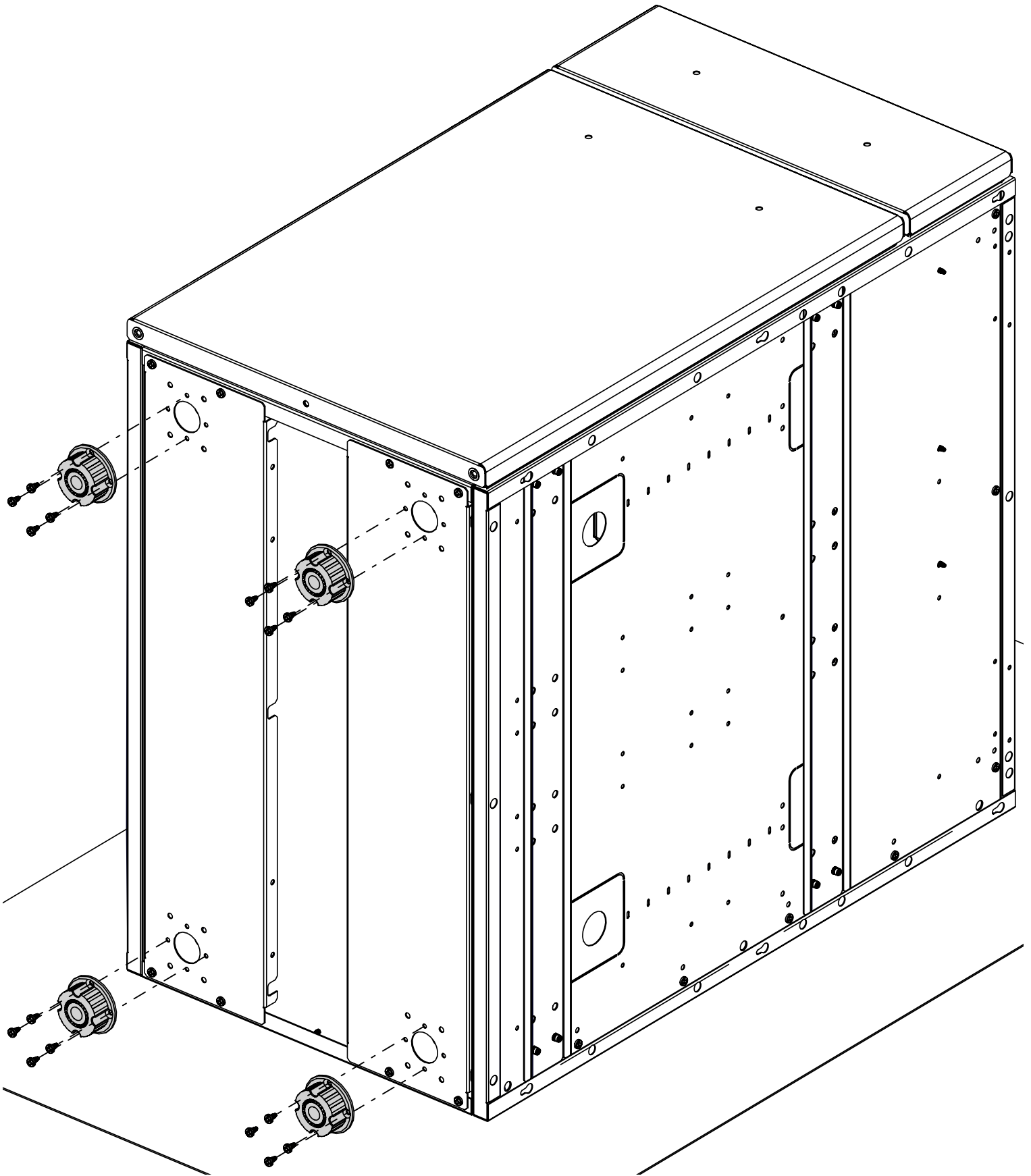
70084-E50 REV A 04/20

1

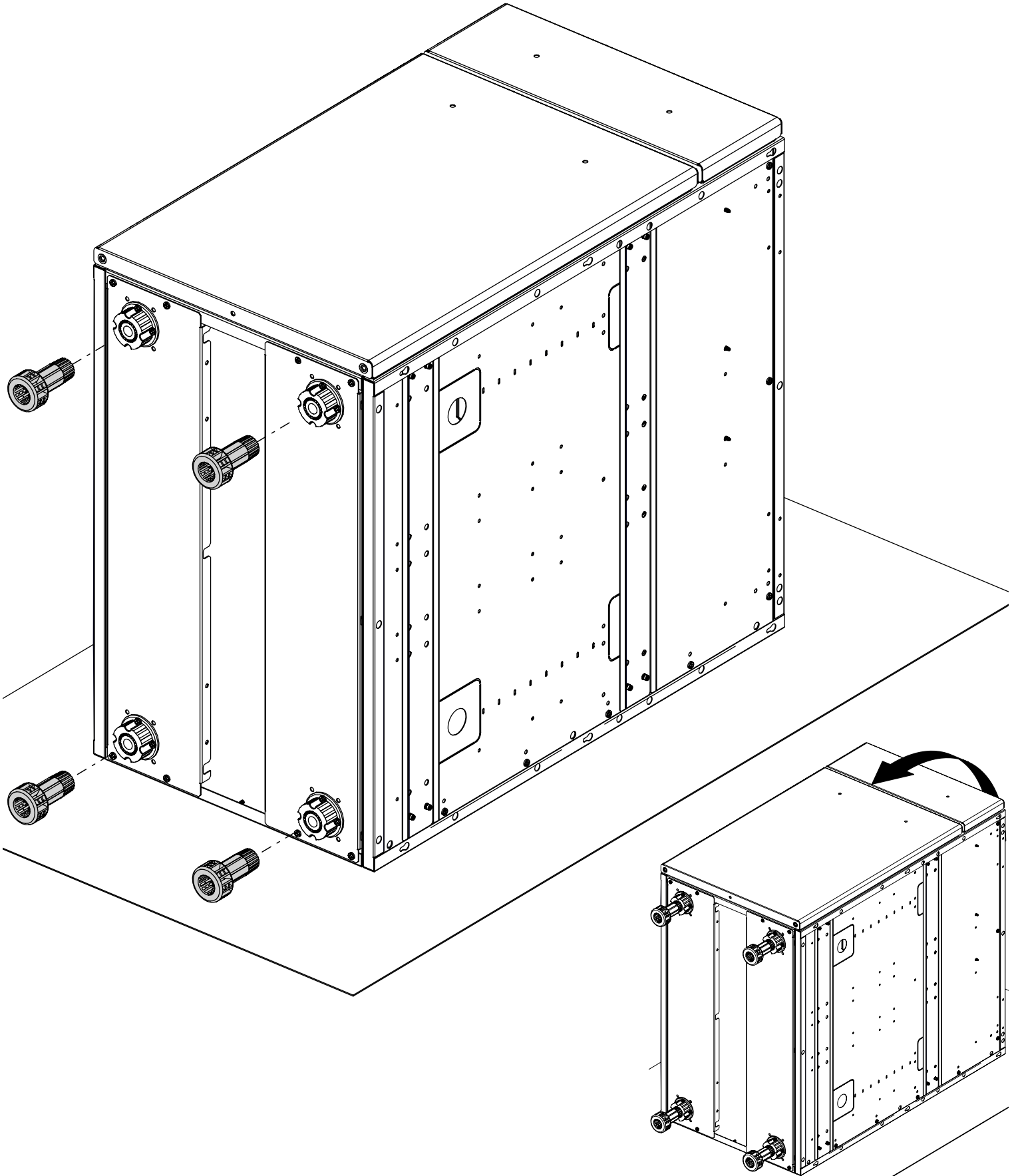


2

(16) 

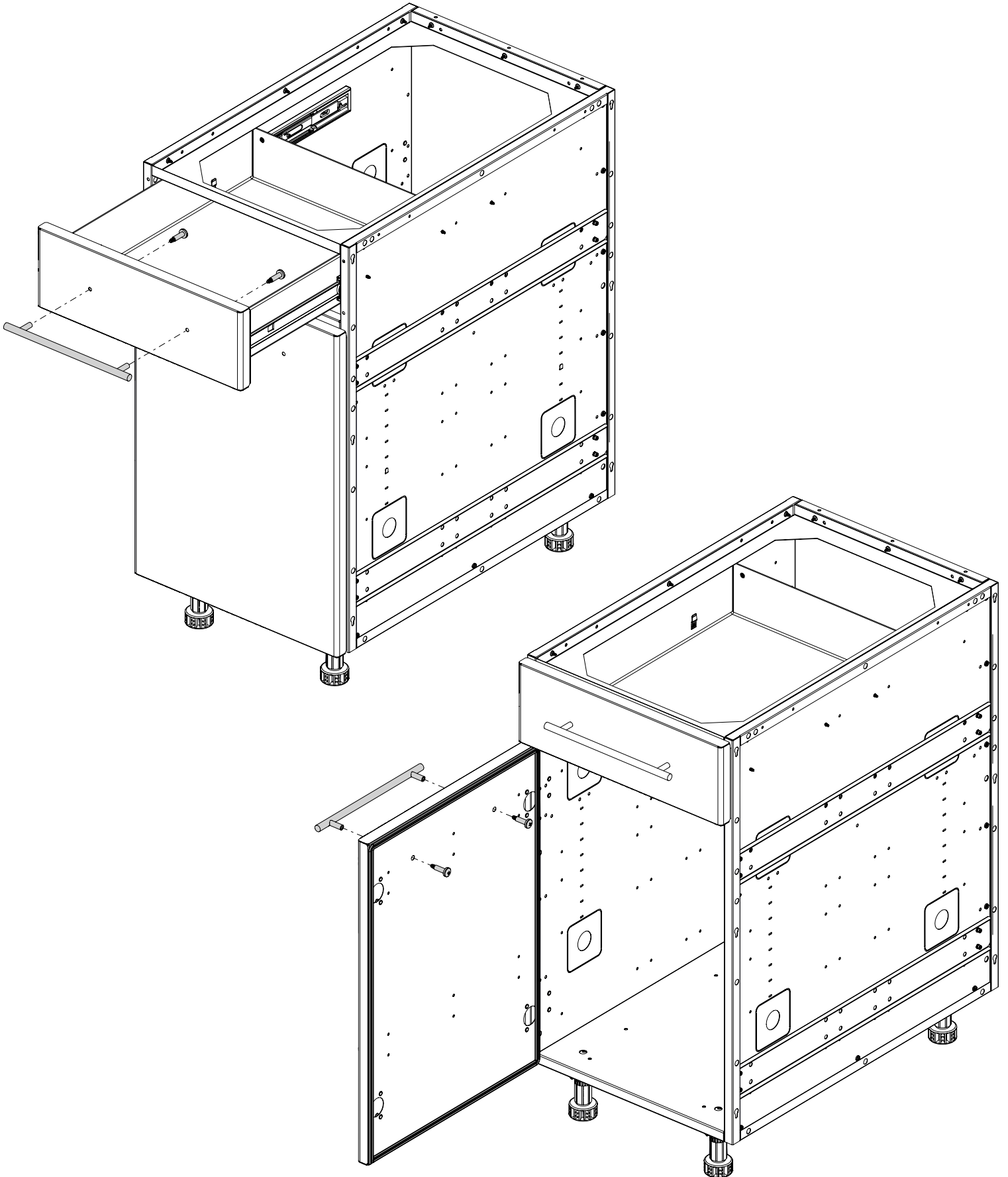
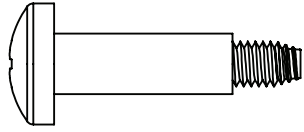


3

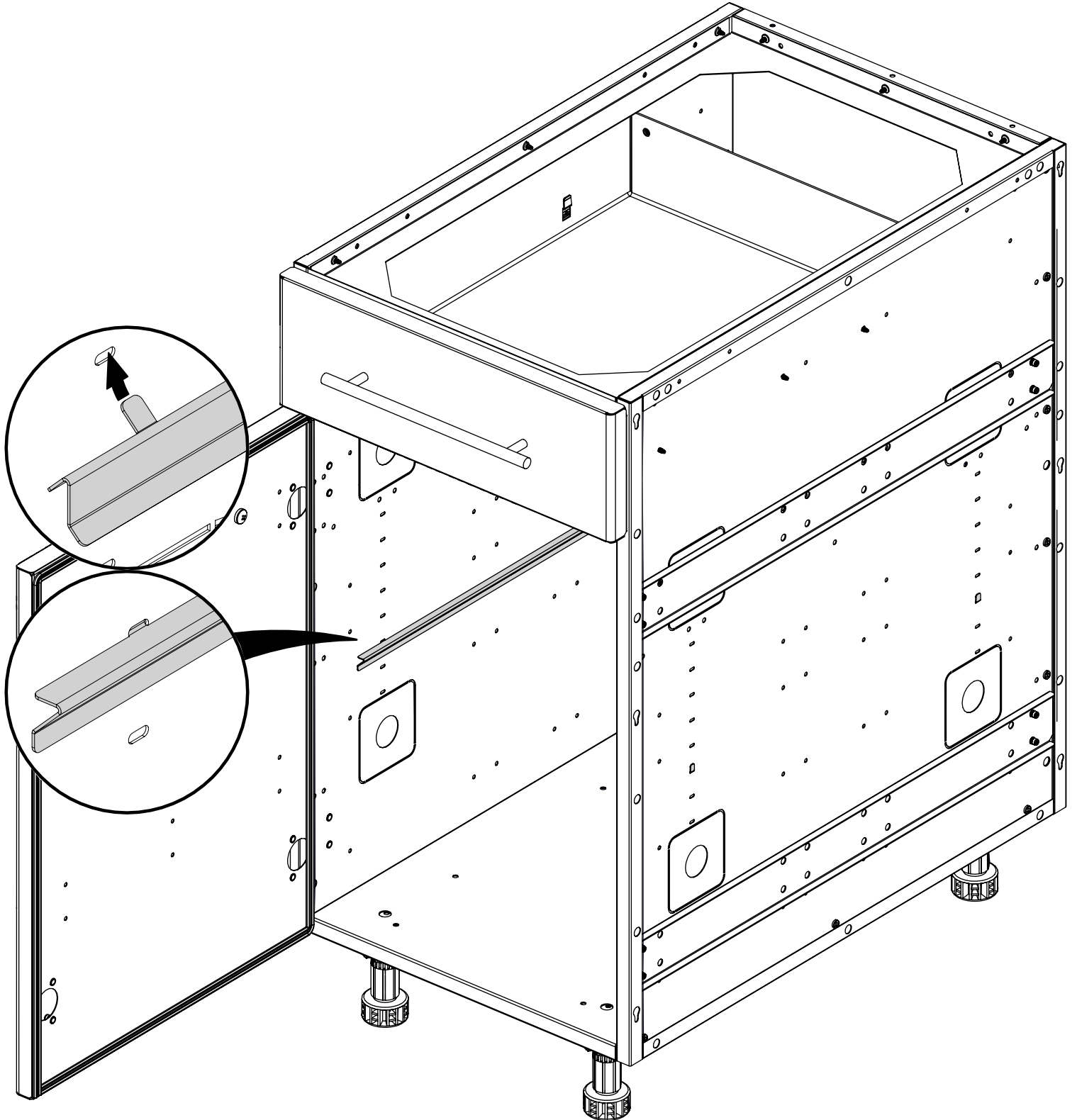


4

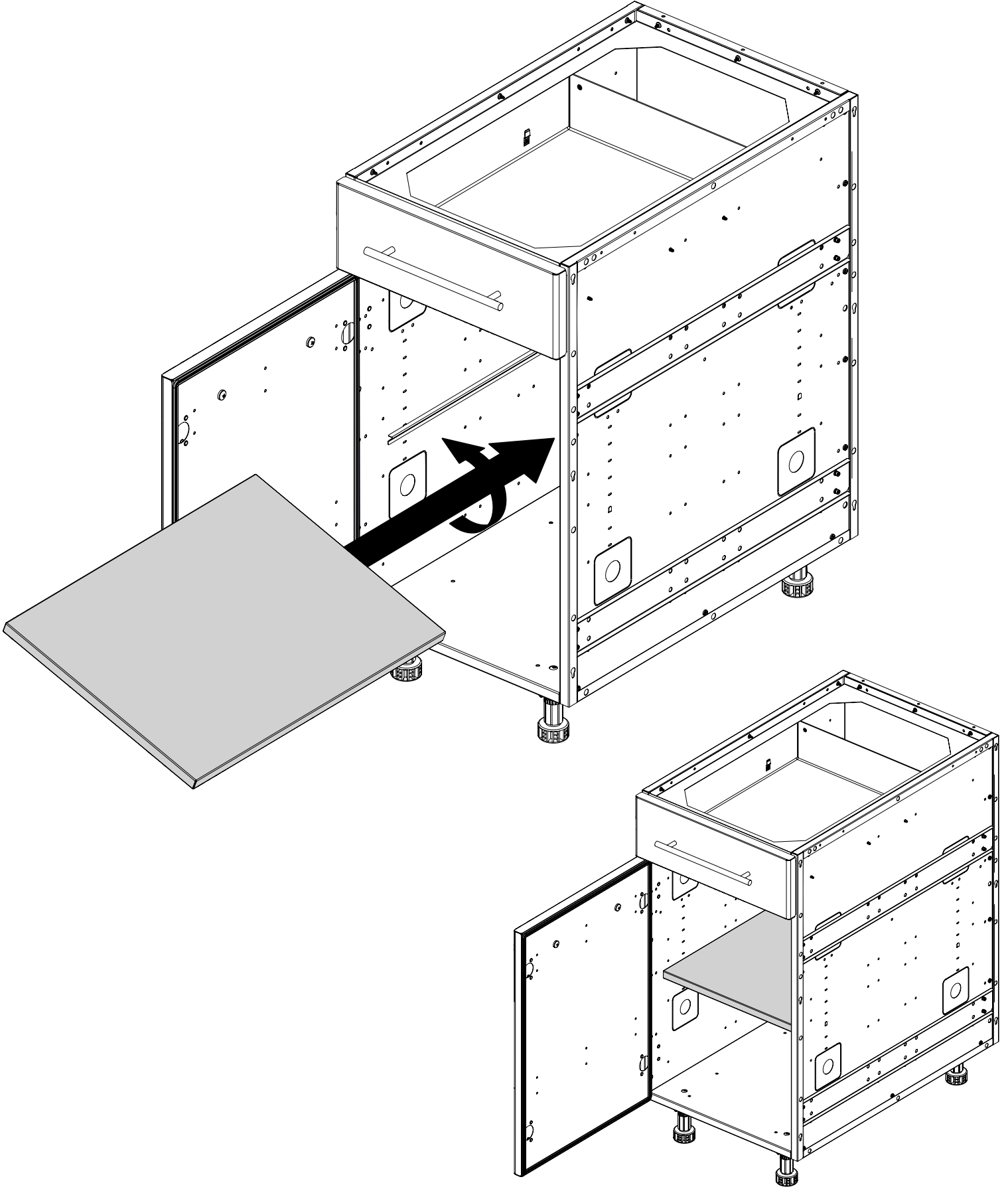
(4)



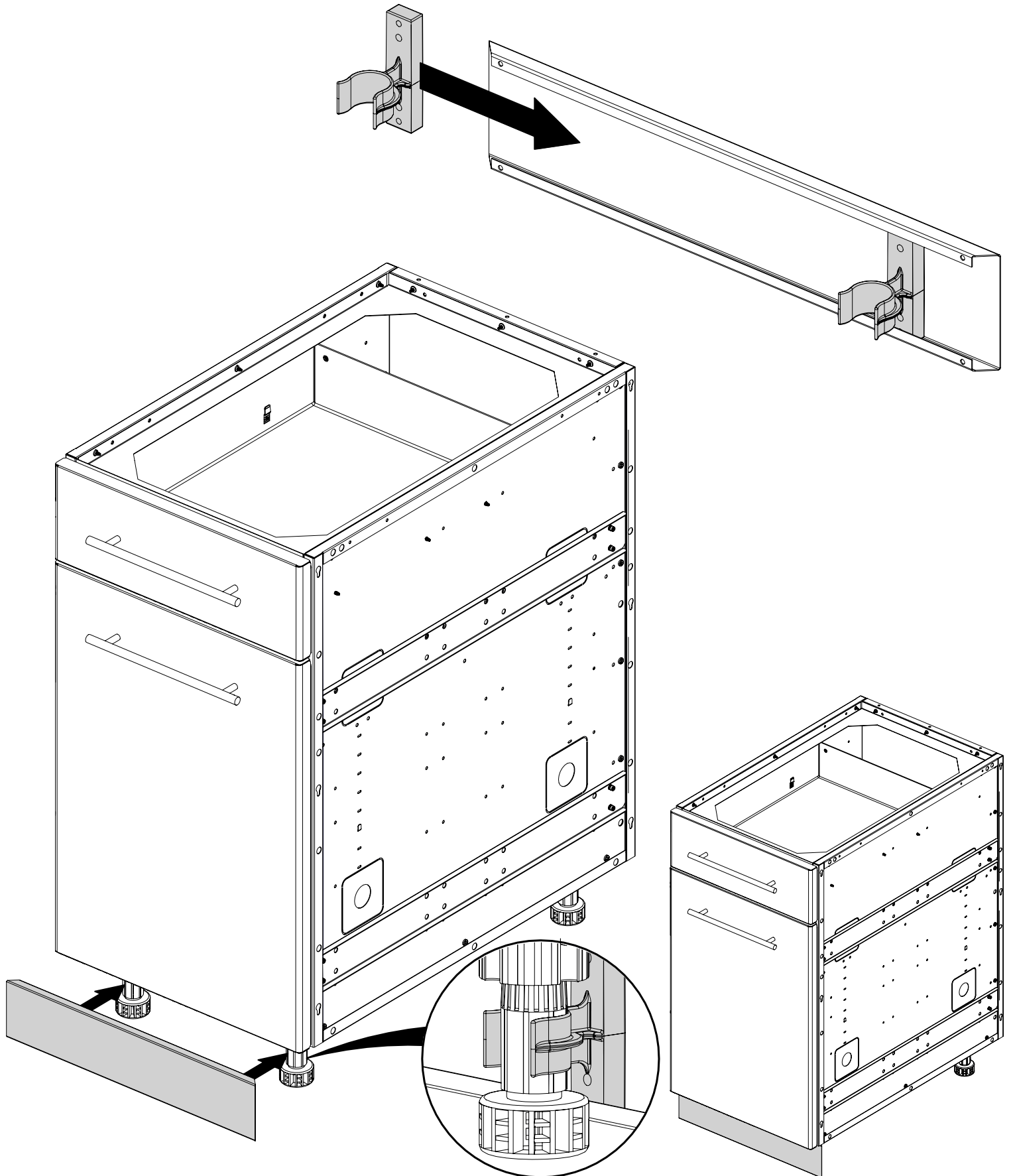
5



6

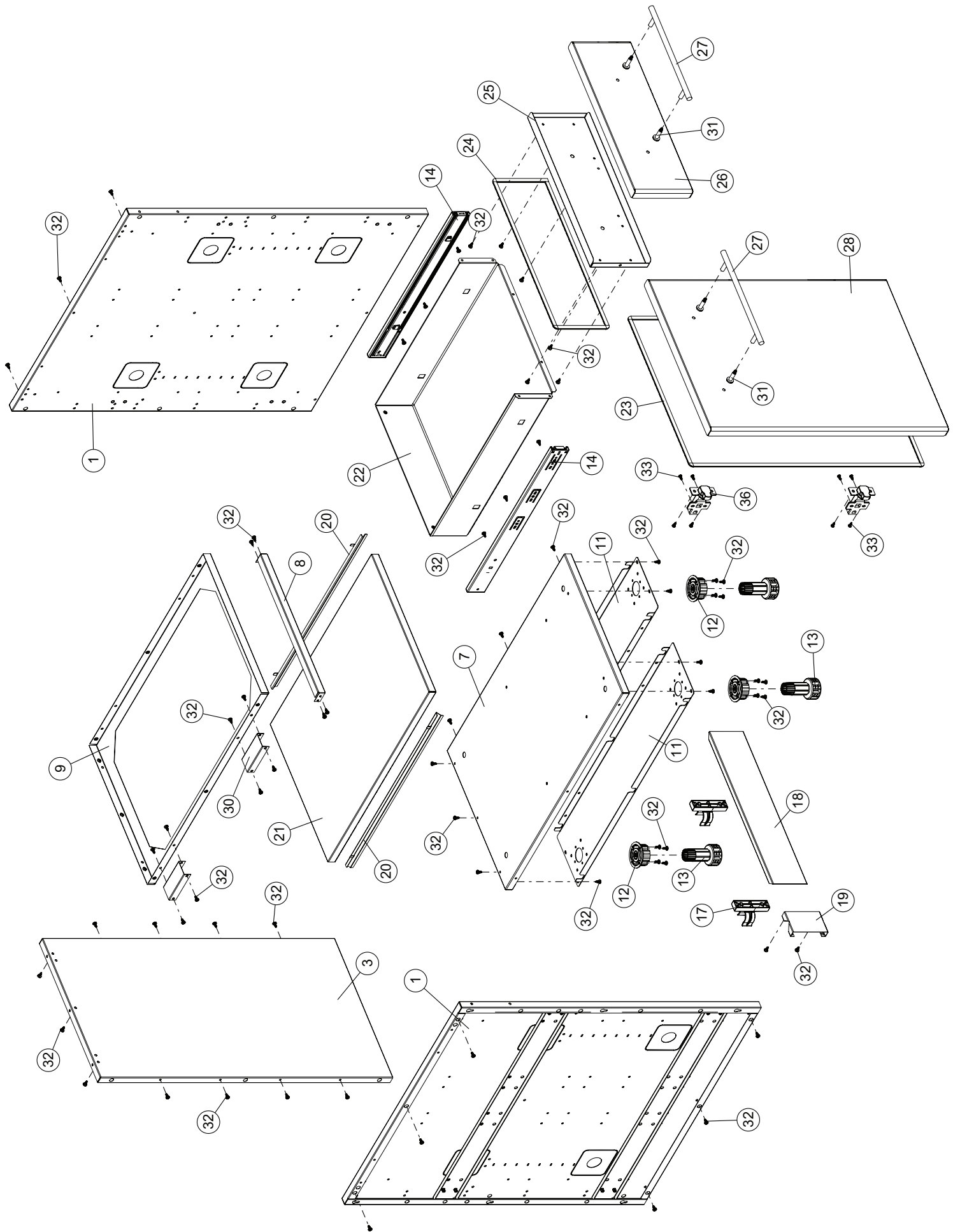


7



PARTS LIST / LISTE DES PIECES / LISTA DE PARTES

<u>KEY #</u>	<u>ITEM #</u>	<u>DESCRIPTION</u>	<u>DESCRIPTION</u>	<u>DESCRIPTION</u>	<u>802300</u>
1	71289-183R	SIDE PANEL	PANNEAU LATERALE	PANEL LATERAL	2
3	71281-103	REAR PANEL	PANNEAU - ARRIERE	PANEL - POSTERIOR	1
7	71091-103	BASE	TABLETTE INFERIEURE	BASE	1
8	71031-103	DRAWER SUPPORT	SUPPORT	SOPORTE	1
9	71011-103	UPPER BRACE	SUPPORT SUPERIEUR	SUPPORT SUPERIEUR	1
11	71639-103	CASTOR BRACKET	SUPPORT DE ROULETTE	SOPORTE - PARA RUEDITA	2
12	71039-078	LEVELER BRACKET	TETE DE NIVELEUR A VISSER	CABEZA PARA NIVELADOR	4
13	71099-078	LEVELER LEG	NIVELEUR DE CAISSON	NIVELADOR	4
14	Y-99103	DRAWER SLIDE	GLISSIERE DE TIROIR	SOPORTE - CAJÓN	2
17	71039-108	KICK PLATE LEG CLIP	ATTACHE POUR COUP-DE-PIED	GRAPA PARA NIVELADOR	2
18	71503-003	KICK PLATE	PLAQUE COUP-DE-PIED	RODAPIÉS	1
19	71530-163	KICK PLATE BRACKET	SUPPORT POUR PLAQUE COUP-DE-PIED	BASE PARA GRAPA	1
20	73039-903	SHELF BRACKET	SUPPORT POUR TABLETTE	SOPORTE PARA ESTANTE	2
21	73001-173	SHELF	PLANCHETTE LATERALE	ESTANTE	1
22	77061-113R	DRAWER	TIROIR	CAJÓN	1
23	71049-901	DOOR GASKET	JOINT DE PORTE	SELLO DE PUERTA	1
24	71049-902	DRAWER GASKET	JOINT DE TIROIR	SELLO DE CAJÓN	1
25	77261-213	DRAWER INNER PANEL	PANNEAU INTERIEUR DE TIROIR	PANEL INTERIOR CAJÓN	1
26	77361-213	DRAWER OUTER PANEL	PANNEAU EXTERIEUR DU TIROIR	PANEL DE CAJÓN EXTERIOR	1
27	76100-933A	HANDLE	POIGNEE	MANGO	2
28	71071-203A	DOOR ASSEMBLY	PORTE	PUERTA	1
30	76039-103	CABINET CLAMP	PINCE DE CABINET	ALICATES PARA GABINETE	2
31	Y-11567	SCREW M8 SHOULDER	VIS M8	TOURNILLO M8	4
32	Y-29304S	SCREW #10-24 X 3/8	VIS #10-24 X 3/8	TOURNILLO #10-24 X 3/8	78
33	S21127S	SCREW #8-32 x 7/16	VIS #8-32 x 7/16	TOURNILLO #8-32 x 7/16	8
36	76079-90	DOOR HINGE	CHARNIERE	BISAGRA	2

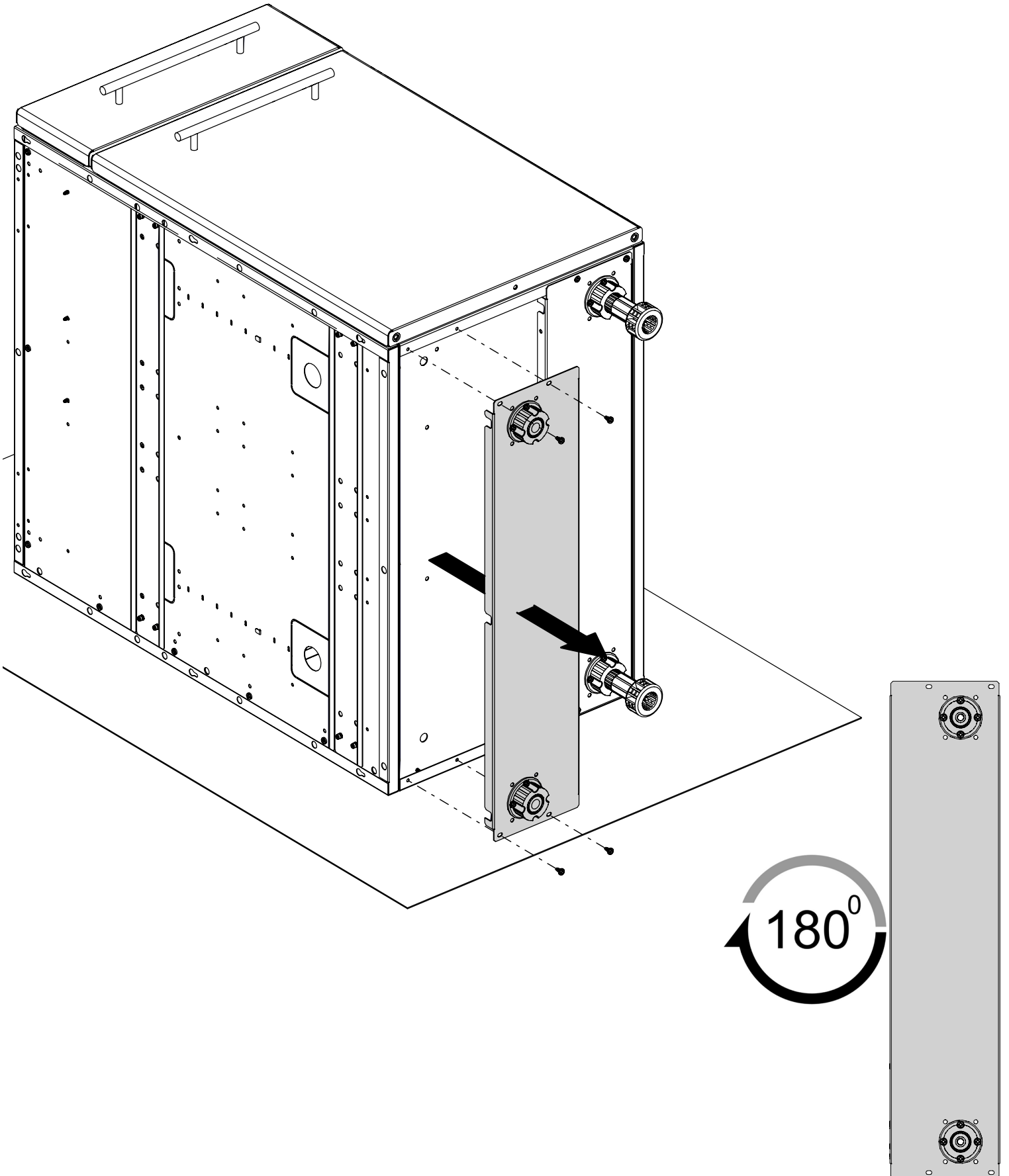


Broil King®

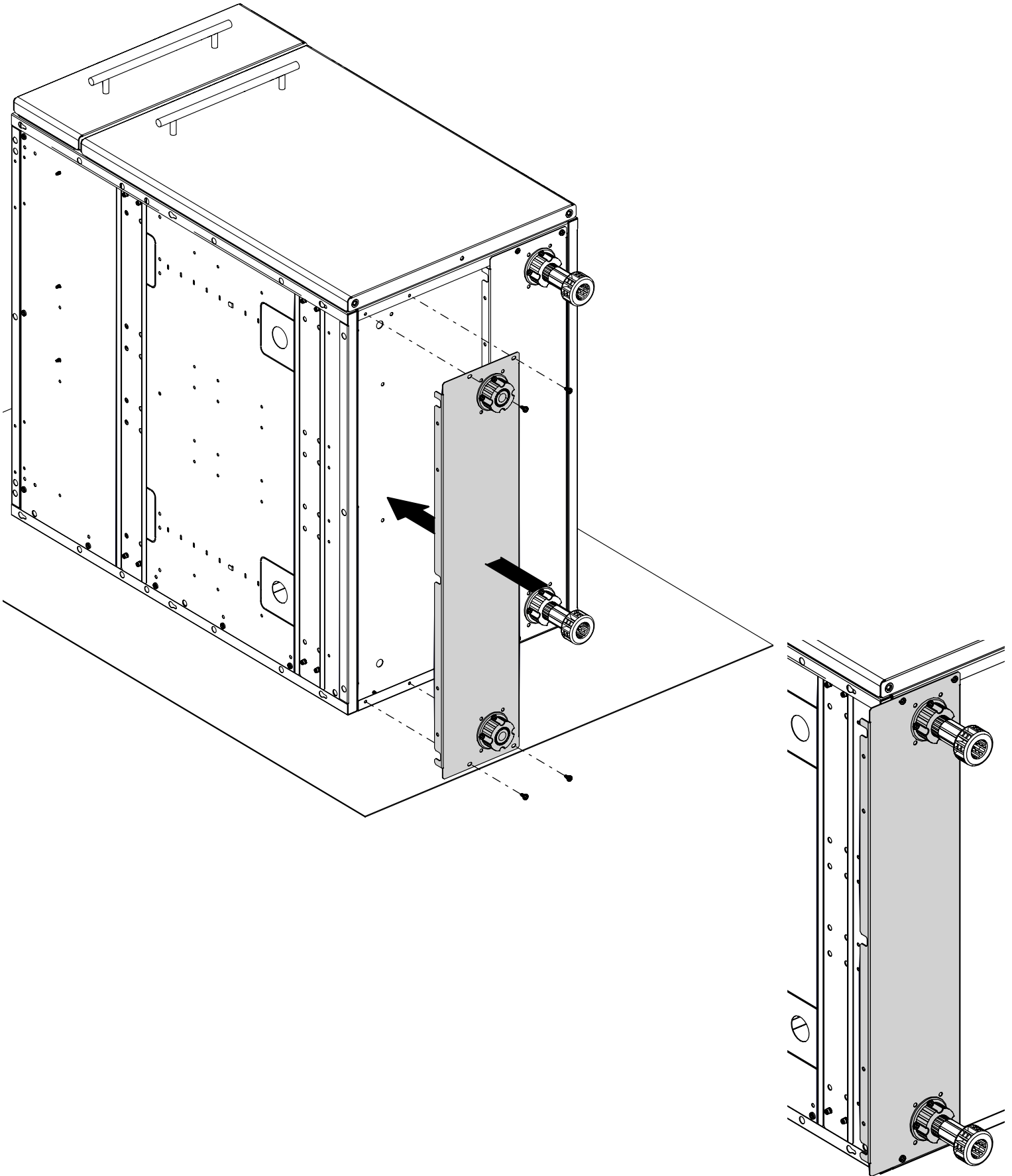


Onward
MANUFACTURING COMPANY LIMITED
SINCE 1906
585 KUMPF DRIVE
WATERLOO, ONTARIO, CANADA
N2V 1K3

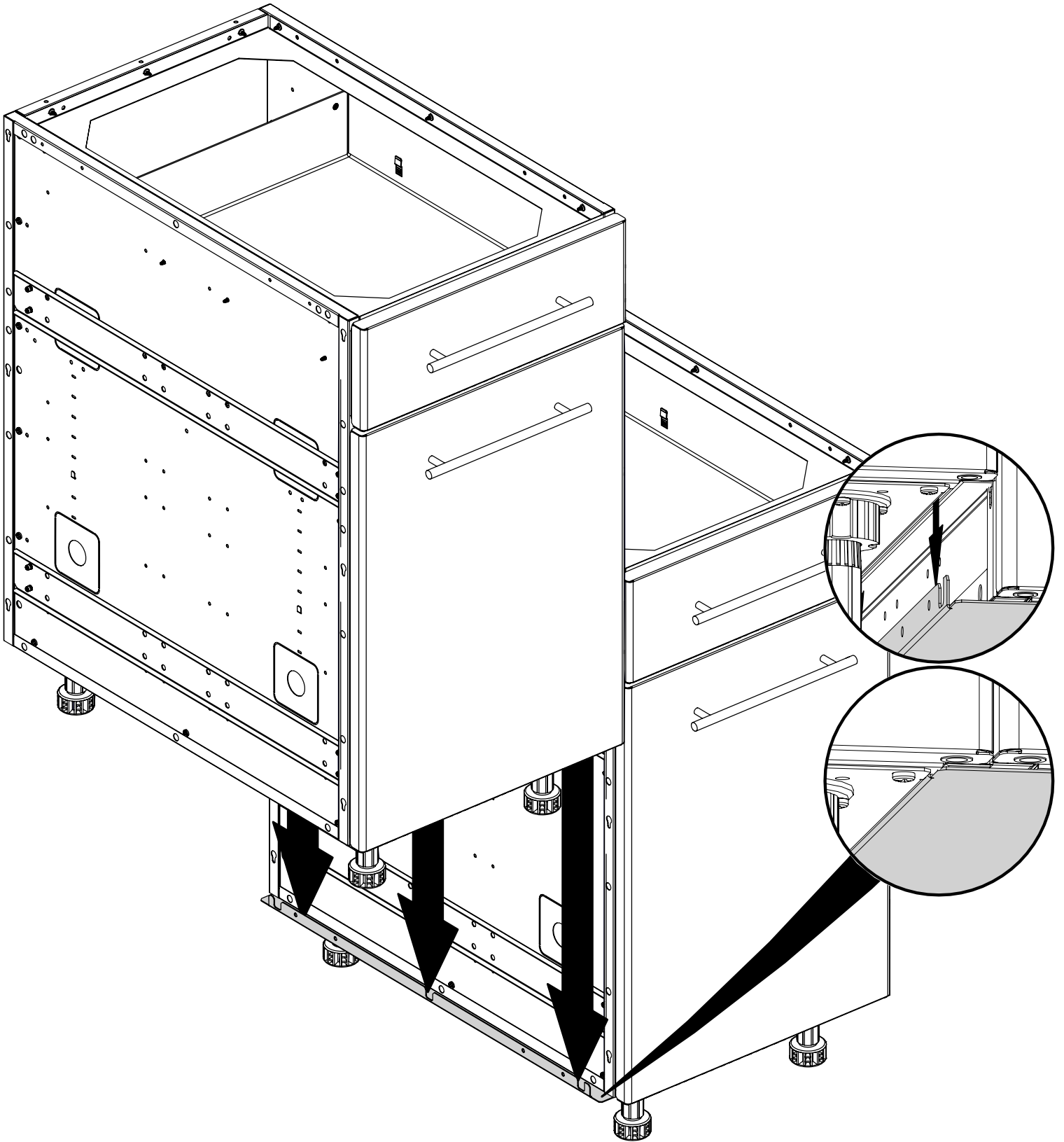
1



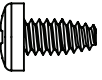
2

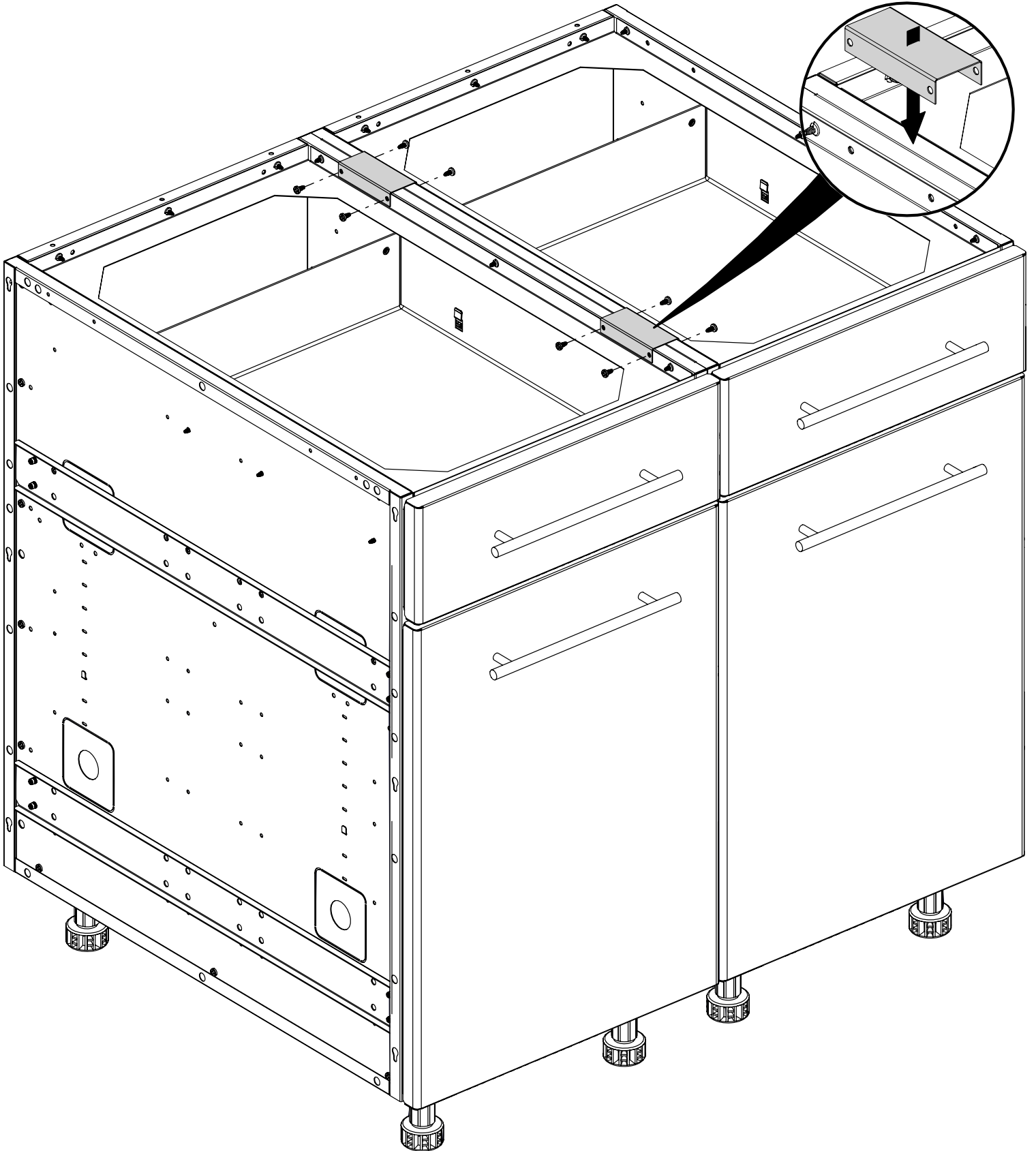


3



4

(8) 



5

(4) 