



# GAS BARBECUES

## OWNER'S MANUAL

FOR USE WITH L.P. (LIQUID PETROLEUM GAS)  
IN CANADA, PROPANE GAS



ANSI Z21.58-2018 / CSA 1.6-2018

## CONTENTS

SAFETY .....	2
INSTALLATION .....	2
L.P. GAS CYLINDER.....	3
OPD EQUIPPED CYLINDER .....	4
HOSE & REGULATOR.....	4
LEAK TESTING.....	5
VENTURI TUBES .....	5
LIGHTING.....	6
OPERATION.....	7
COOKING TECHNIQUES.....	7
MAINTENANCE .....	10
TROUBLESHOOTING .....	11
WARRANTY .....	12
GUIDE DU PROPRIÉTAIRE DE BARBECUE AU GAZ.....	13
MANUAL DEL USUARIO DE PARRILLA A GAS .....	25

**NOTE TO INSTALLER: THESE INSTRUCTIONS MUST BE LEFT WITH THE CONSUMER**



### DANGER

**IF YOU SMELL GAS:**

1. SHUT OFF GAS TO THE APPLIANCE
2. EXTINGUISH ANY OPEN FLAME
3. OPEN LID
4. IF ODOR CONTINUES, KEEP AWAY FROM THE APPLIANCE AND IMMEDIATELY CALL YOUR GAS SUPPLIER OR YOUR FIRE DEPARTMENT



### WARNING

1. DO NOT STORE OR USE GASOLINE OR OTHER FLAMMABLE LIQUIDS OR VAPORS IN THE VICINITY OF THIS APPLIANCE
2. AN LP CYLINDER NOT CONNECTED FOR USE SHALL NOT BE STORED IN THE VICINITY OF THIS OR ANY OTHER APPLIANCE

### PLEASE RECORD YOUR MODEL NUMBER, SERIAL NUMBER AND DATE OF PURCHASE HERE.

This information can be found on the black and silver OMC caution sticker on the back or side of your gas grill.

Model Number					-			
Serial Number		-						
Date of Purchase		/		/				
		dd		mm		yyyy		

**READ ALL INSTRUCTIONS CAREFULLY BEFORE OPERATING YOUR GAS GRILL.  
RETAIN THESE INSTRUCTIONS FOR FUTURE REFERENCE.**

FOR ASSEMBLY INSTRUCTION, PLEASE SEE YOUR ASSEMBLY MANUAL  
OR VISIT [www.omcbbq.com](http://www.omcbbq.com) TO VIEW OUR ASSEMBLY VIDEOS.

1-800-265-2150  
info@omcbbq.com



SINCE 1906  
**MANUFACTURING COMPANY**  
LIMITED  
585 KUMPF DRIVE  
WATERLOO, ONTARIO, CANADA  
N2V 1K3

10994-40LP REV J 11/20

# SAFETY

Your new OMC gas grill is a safe, convenient appliance when assembled and used properly. As with all gas-fired products, however, certain safeguards must be observed. **Failure to follow these safeguards may result in serious injury or damage.** If you have questions concerning assembly or operation, consult your dealer, gas appliance specialist, Gas Company or our direct customer service line at 1-800-265-2150. / info@omcbbq.com

## CAUTION

- **FOR OUTDOOR USE ONLY.**
- **IF STORED INDOORS, DETACH AND LEAVE CYLINDER OUTDOORS.**
- **THIS APPLIANCE MUST NOT BE OPERATED UNATTENDED.**
- **SPECIAL CARE MUST BE TAKEN TO KEEP SMALL CHILDREN AWAY FROM HEATED SURFACES.**

Use caution when handling or transporting this product. Metal edges can be hazardous. Use appropriate gloves when lifting or handling. Before lifting, remove side shelves, grids and grates.

## ELECTRICAL CAUTION

1. If any accessory is used on this appliance that requires an external electrical power source, the accessory when installed must be electrically grounded in accordance with local codes. In the absence of local codes, the following standards apply:

**(U.S.A.) ANSI/NFPA No. 70-Latest Edition and  
(Canada) CSA C22.1 Canadian Electrical Code**

2. Do not cut or remove the grounding prong from the plug.
3. Keep the electrical supply cord and fuel supply hose away from any heated surface.

## PROPOSITION 65 WARNING

Handling the brass material on this product exposes you to lead, a chemical known to the state of California to cause cancer, birth defects or other reproductive harm. **WASH YOUR HANDS AFTER HANDLING THIS PRODUCT.**

## WARNING

Fuels used in gas or oil-fired appliances, and the products of combustion of such fuels, contain chemicals known to the State of California to cause cancer, birth defects or other reproductive harm. "This warning is issued pursuant to California Health and Safety Code Sec. 25249.6"

# INSTALLATION

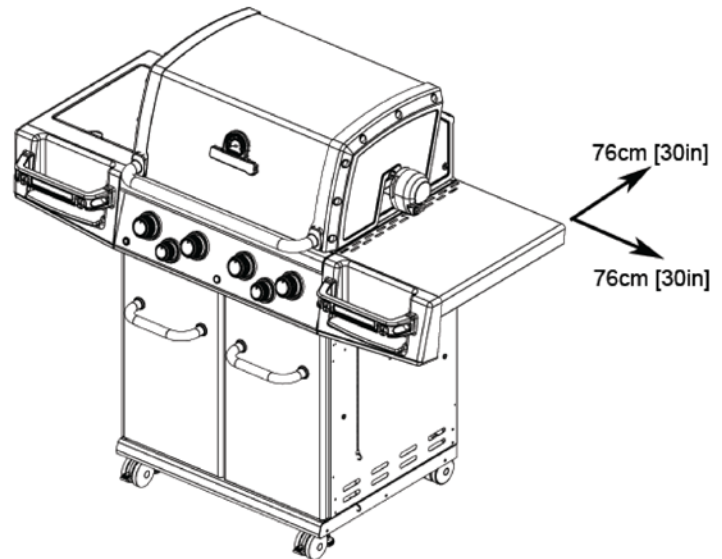
1. In the U.S.A., this appliance must be installed in accordance with the local code and the relevant national code:

**ANSI Z223.1/NFPA 54 - Latest Edition National Fuel Gas Code and Latest Local Codes where Applicable**

2. In Canada, this appliance must be installed in accordance with the local code and the relevant CSA standards:

**CSA-B149.1 Natural Gas and Propane installation Code**

3. The appliance must be located away from combustible surfaces by at least 76cm / 30" from each side, and 76cm / 30" from the rear.



4. Do **not** operate this appliance under any overhead roof construction or foliage.
5. This appliance is for **OUTDOOR USE ONLY, DO NOT** operate in garage, shed, balcony or other such enclosed areas.
6. **DO NOT** restrict the flow of air to the appliance.
7. Keep the area surrounding the appliance free of combustible materials, gasoline, and all flammable liquids and vapors.
8. This appliance is not intended to be installed in, or on, recreational vehicles and/or boats.
9. Keep the ventilation opening(s) of the cylinder enclosure free and clear from debris.

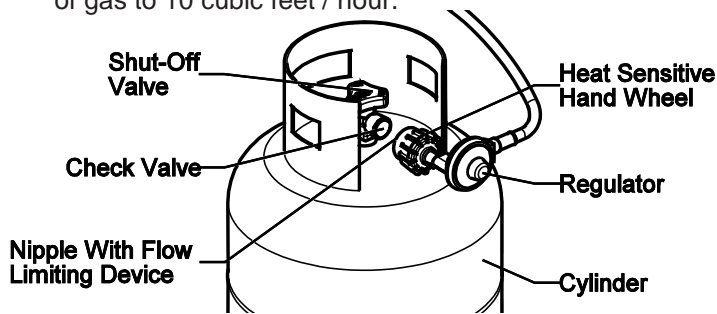
## LP GAS CYLINDER PLACEMENT

The instructions below apply to LP models only. LP gas cylinders must be installed according to assembly instructions using retainer provided. Do not store a spare cylinder under or near this appliance. All cylinders used must be compatible with supplied means of cylinder retention.

# LP GAS CYLINDER

## QCC®-1 QUICK CLOSING COUPLING

1. All OMC models are designed to be used with an LP gas cylinder equipped with the QCC®-1 Quick Closing Coupling system.
2. The QCC®-1 system incorporates safety features required by the American National Standards Institute (ANSI) and the Canadian Standards Steering Committee.
  - Gas will not flow until a positive connection has been made.
  - A thermal element will shut off the flow of gas between 240° and 300° F.
  - When activated, a Flow Limiting Device will limit the flow of gas to 10 cubic feet / hour.



3. **The LP Gas Cylinder is not included with the Gas Grill.** Be sure to purchase one with the QCC® valve. This valve is recognized by the external threads on the inlet port of the valve. QCC® equipped cylinders are available from your Gas Grill Dealer.

**NOTE: Any attempt to connect the regulator, by use of adapters or any other means, to any other valve could result in damage, fire or injury and may negate the important safety features in the QCC®-1 system.**

## SPECIFICATION

1. All LP gas cylinders used with this appliance must be constructed and marked in accordance with the Specifications for LP Gas Cylinders of the U.S. Department of Transportation (D.O.T.) or the National Standard of Canada, CAN/CSA-B339, Cylinders, Spheres and Tubes for Transportation of Dangerous Goods ; and Commission, as applicable
2. The LP gas cylinder used for this appliance must not have a capacity exceeding 20 lb. (9 kg). Approximately 18" (46cm) high and 12" (31cm) diameter
3. All LP gas cylinders used with this appliance should be inspected at every filling and re qualified by a licensed service outlet at the expiry date (10 years), in accordance with the DOT (USA) and Canadian Transport Commission (Canada) codes for LP Gas Cylinders..
4. All LP gas cylinders used with this appliance must be provided with a shutoff valve terminating in a cylinder valve outlet No. 510, specified in the Standard for Compressed Gas Cylinder Valve Outlet and Inlet Connection (USA) ANSI/CGA-V-1-1977 (Canada) CSA B96.

5. The cylinder supply system must be arranged for vapor withdrawal.
6. The cylinder must include a collar to protect the cylinder valve.
7. The cylinder must be installed as per assembly instructions.
8. Never fill the cylinder beyond 80% full. A fire causing death or serious injury may occur.
9. The cylinder valve must include a safety relief device having direct communication with the vapor space of the cylinder.

## HANDLING

1. Government regulations prohibit shipping full LP gas cylinders. You must take your new cylinder to a LP gas dealer for filling.
2. A filled LP gas cylinder is under very high pressure. Always handle carefully and transport in the upright position. Protect the valve from accidental damage.
3. Do not tip the LP gas cylinder while connecting it to the regulator. Fasten the cylinder securely during transport, use and storage.
4. If the cylinder is tipped after it is connected to the regulator, shut off the gas, disconnect the regulator and have it checked before using it again.

## STORAGE

1. Store the LP gas cylinder outdoors in a well-ventilated place.
2. Do not store the LP gas cylinder in direct sunlight, near a source of heat or combustion.
3. If you intend to store the grill indoors, disconnect and remove the LP gas cylinder first. Disconnected cylinders must have a dust cap installed and must not be stored in a building, garage or any enclosed area.
4. Keep out of the reach of children.
5. When the LP gas cylinder is connected to the gas grill, the gas grill and LP gas cylinder must be stored outside in a well-ventilated place.

## OPERATION

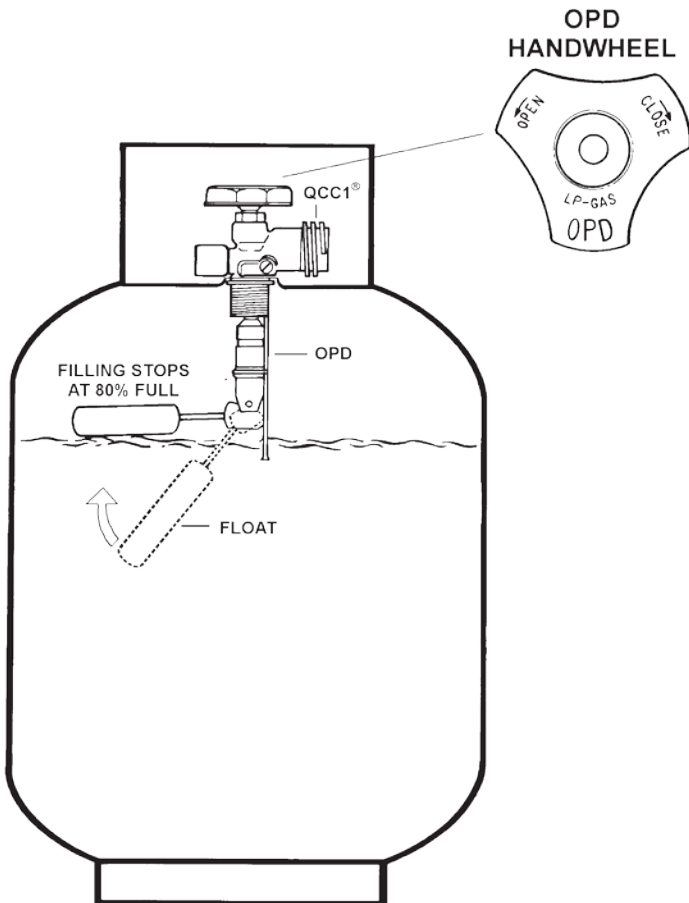
1. Never connect your gas grill to an LP gas cylinder without the regulator provided, and **NEVER TO AN UNREGULATED LP GAS SUPPLY.** The regulator supplied with the barbecue must be used.
2. **Always** leak test the LP gas cylinder to regulator connection when connecting the LP gas cylinder to the appliance. See "Leak Testing." (page 5)
3. **Do not** operate appliance if the smell of LP gas is present. Extinguish all flame and determine source of LP gas leak before proceeding. **Do not** ignite the appliance until the LP gas leak has been found and sealed.
4. **Always** shut off LP gas cylinder valve when the appliance is not in use.

## OVERFILL PREVENTION DEVICE

1. The standard for outdoor gas appliances, ANSI Z21.58/ CAN/CGA-1.6, requires that appliances be used with cylinders equipped with an Overfill Prevention Device (OPD).
2. The OPD is designed to reduce the potential for the overfilling of propane cylinders, thus reducing the possibility of relief valve discharges of raw propane. **The OPD causes a slower purge/fill operation.** Some consumers have been advised by filling stations that these cylinders are “defective.” **This is not a defect.** Some propane filling stations may not be aware of this device and its effect on the purge/fill operation.
3. New OPDs coming onto the market have technology that allows for much greater BTU outputs which will decrease the amount of time it takes to purge a cylinder.

## IDENTIFICATION

To identify these cylinders, the OPD hand wheel has been standardized to the shape shown.



1. All models are equipped with a hose and regulator with a QCC®-1 Quick Closing Coupling.
2. The QCC® coupling contains a magnetic Flow Limiting Device which will limit the flow of gas should there be a leak between the regulator and the appliance valve. This device will activate if the cylinder valve is opened while the appliance valves are open. **Be sure the appliance valves are off before the cylinder valve is opened to prevent accidental activation.**
3. The QCC® coupling incorporates a heat sensitive hand wheel that will cause the back check module in the QCC® cylinder valve to close when exposed to temperatures between 240° and 300°F. Should this occur, do not attempt to reconnect the hand wheel. Remove hose/regulator assembly and replace with a new one.
4. The pressure regulator is set at 11 inches WC (water column) and is for use with LP gas only. The hose and hose couplings comply with CGA Standard CAN 1.83. No modifications or substitutions should be attempted.
5. Protect the hose from dripping grease and **do not allow the hose to touch any hot surface**, including the base casting of the barbecue.
6. Inspect the seal in the QCC® cylinder valve when replacing the LP gas cylinder or once per year whichever is more frequent. Replace the seal if there is any indication of cracks, creases, or abrasion.
7. Inspect the hose before each use. If the hose is cracked, cut, abraded or damaged in any way, the appliance must not be operated.
8. For repair or replacement of the hose/regulator assembly, contact customer service.

## CONNECTION

1. Be sure cylinder valve and appliance valves are “OFF.”
2. Place full LP gas cylinder in LP tank well and secure base as per assembly instructions.
3. Center the nipple in the cylinder valve and hold in place. Using other hand, turn the hand wheel clockwise until there is a positive stop. **Do not use tools. Hand tighten only. When making the connection, hold the regulator in a parallel with the cylinder valve, so as not to cross thread the connection.**
4. Leak test connections. See “Leak Testing.” (Page 5)
5. Refer to lighting instructions. **To avoid activating the Flow Limiting Device when lighting, open cylinder valve slowly with the appliance valves off.** If the Flow Limiting Device is accidentally activated, turn off cylinder valve and appliance valves, wait 10 seconds to allow the device to reset, open cylinder valve slowly, then open the appliance valve.

## DISCONNECTION

Always close LP cylinder valve and remove coupling nut before moving cylinder from specified operation position.

# LEAK TESTING

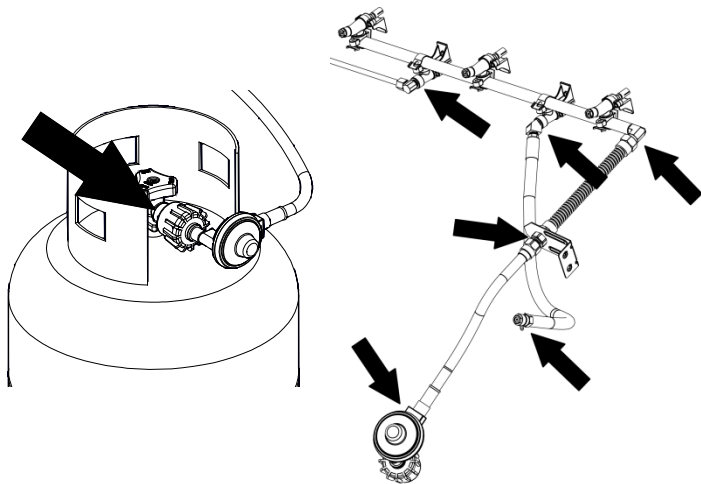
All factory-made connections have been rigorously tested for gas leaks. However, shipping and handling may have loosened a gas fitting.

## AS A SAFETY PRECAUTION:

- Test all fittings for leaks before using your gas grill.
- Test the cylinder valve for leaks each time the cylinder is filled.
- Test for leaks every time you connect a gas fitting.
- Do not smoke at any time while testing.
- Never test for leaks with a lit match or open flame.
- Test for leaks outdoors.

## TO TEST FOR LEAKS:

1. Extinguish any open flame or cigarettes in the area.
2. Be sure that cylinder valve and gas grill valves are "OFF."
3. Connect LP gas cylinder. See "Hose and Regulator". (Page 5)
4. Prepare a soap solution of one part water, one part liquid detergent.
5. With a full gas cylinder, open cylinder slowly.
6. Brush the soap solution on each connection.



7. A leak is identified by a flow of bubbles from the area of the leak.
8. If a leak is detected, close the gas cylinder "shut-off" valve, tighten the connection and retest.
9. If the leak persists, contact your gas grill dealer for assistance. Do not attempt to operate appliance if a leak is present.

## If your gas grill is equipped with a side burner or rear burner:

1. Follow steps 1 - 5 above
2. Place fingertip over the opening in the orifice at the end of hose.
3. Turn "SIDE"/"REAR" control to "HIGH."
4. Brush soap solution on each connection between orifice and control valve.
5. Turn "SIDE"/"REAR" control to "OFF".

# VENTURI TUBES

Always keep venturi tubes clean. Blockages in the venturi tubes caused by spiders, insects and nests can cause a flashback fire. In fact, although the gas grill may still light, the backed up gas can ignite and cause a fire around the venturi tubes at the control panel or the side burner.



VENTURI TUBE SPIDER WEB TUBE BURNER

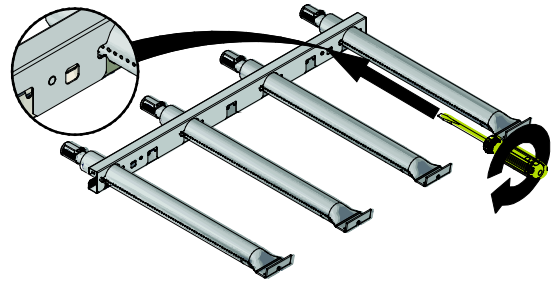
If a flashback fire occurs, turn off gas at the source immediately

Inspect and clean the venturi tubes (main burner, side burner, rear burner) if any of the following symptoms occur:

1. You smell gas.
2. Your gas grill does not reach temperature.
3. Your gas grill heats unevenly.
4. The burners make popping noises.

## INSPECTING & CLEANING VENTURI TUBES

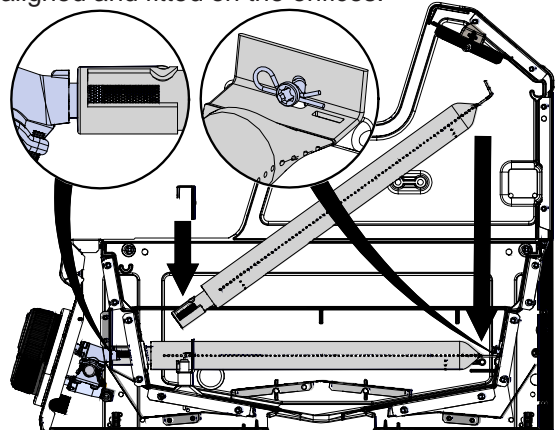
1. Turn off gas by closing the propane cylinder valve
2. When gas grill is cool, remove the burner fasteners and the top portion of the collector box. Proceed to lift the burners from the gas grill housing.



3. Clean the venturi tubes with a pipe cleaner or venturi cleaning tool (Accessory #77310 or #18270).



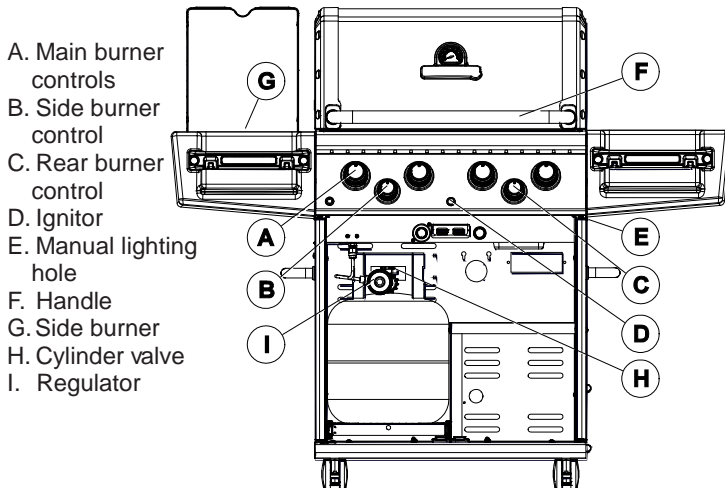
4. Lower the burner into position in the gas grill housing, making sure that the venturi tubes are correctly aligned and fitted on the orifices.



5. Secure burners with burner fasteners. Snap top portion of collector box back in place

# LIGHTING

## BASIC GAS GRILL COMPONENTS



## LIGHTING INSTRUCTIONS

1. The appliance must be assembled as per the assembly instructions.
2. Ensure LP cylinder is full and properly connected to the regulator. See: "Hose and Regulator." (Page 4)
3. Ensure there are no gas leaks in the gas supply system. See: "Leak Testing." (Page 5)
4. Ensure that the venturi tubes are properly located over the gas valve orifices. See Venturi diagram. (Page 5)
5. Ensure that both Main Burner and Side Burner ignition wires are connected.
6. Carefully review all instructions on the information plate attached to the gas grill.
7. **WARNING: Always open lid before lighting and do not lean over gas grill while lighting.**
8. Set control knobs to "OFF" and turn on the gas supply.

## LIGHTING THE MAIN BURNER:

- a. Open gas grill lid and leave open until lit.
- b. Check that the battery has been installed in the electronic ignition.
- c. Push and turn one main burner control knob to "HIGH."
- d. Push and hold down the ignitor button or use match to light.
- e. Burner should ignite within 5 seconds; turn off gas source immediately if ignition does not occur in this timeframe. To light burner with a match proceed below to step f.
- f. Insert lit match through lighting hole located at the bottom right of the cookbox.
- g. Push and turn right main burner control knob to "HIGH."
- h. Burner should ignite within 5 seconds.
- i. After the first burner is lit, push and turn the adjacent main burner control knob to "HIGH" then repeat for other burners; these burners should light automatically without the ignitor.

Note: In windy conditions, ignite each burner individually. Use the match holder to lower a lit match to light each burner.

## LIGHTING THE SIDE BURNER:

- a. Push and turn side burner control knob to "HIGH."
- b. Push and hold the ignitor button.
- c. Burner should ignite within 5 seconds. **To light burner with a match** proceed below to step d.
- d. Apply lit match to burner ports.
- e. Push in the side burner control knob and turn to "HIGH."
- f. Burner should ignite within 5 seconds.

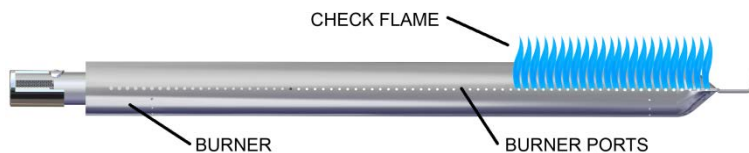
Note: Pots on the side burner must not exceed 9" (23 cm) in diameter or 15 lbs. (7 kg) in weight.

## LIGHTING THE REAR ROTISSERIE BURNER:

Warning: do not operate the main burner simultaneously with the rear burner.

- a. **REMOVE THE WARMING RACK.**
- b. Push and turn rear burner control knob to "HIGH."
- c. Push and hold the ignitor button.
- d. Burner should ignite within 5 seconds. To light burner with a match proceed below to step f.
- e. Apply lit match to burner ports.
- f. Push in the rear burner control knob and turn to "HIGH."
- g. Burner should ignite within 5 seconds.

**CAUTION: Check your gas grill after lighting.** All burner ports should show a 2.5cm / 1" flame on "HIGH."



If any of the following symptoms occur there is probably a blockage in the venturi tubes. Shut off gas at once and clean the venturi tubes. See "Venturi Tubes." (Page 5)

1. You smell gas.
2. A flashback fire occurs.
3. Your gas grill heats unevenly.
4. The burners make popping noises.

## IF BURNER DOES NOT IGNITE:

1. Push and turn control knob to "OFF." Wait 5 minutes then try again with control knob set at "MEDIUM."
2. If any burner will not light, see "Troubleshooting" on page 11. If problem persists, do not attempt to operate the appliance; contact OMC, your dealer or an approved service center.

## SHUTDOWN:

1. Turn off cylinder valve.
2. Turn control knobs to "OFF."

# OPERATION

**First Time Use:** Before cooking on your gas grill for the first time, burn it off to rid it of any odors or foreign matter in the following manner:

1. With cooking grids installed in position, light the gas grill following lighting instructions (see Page 10) and operate the gas grill on **"HIGH"** for **10-15 minutes**. Next, turn gas source off then turn all control knobs to the "OFF" position.
2. When gas grill is cool, thoroughly season cooking grids by spraying or wiping olive or vegetable oil on them. Ensure that the entire surface is generously coated including the corners. For cast iron cooking grids, light seasoning should be done before every usage.
3. You are ready to grill. Proceed to "Preheating."

**Preheating:** Preheat the gas grill on MEDIUM/HIGH with the lid closed for ten minutes. Reduce heat as appropriate for what you are grilling. Firmly but carefully scrub grids with a wire grill brush. Next, brush or spray the grids with vegetable or olive oil to prevent food from sticking.

**Lid Position:** The position of the lid during cooking is a matter of personal preference, but the gas grill cooks faster, uses less fuel, and controls the temperature best with the lid closed. A closed lid also imparts a smokier flavor to meat cooked directly on the grid, and is essential for smoking and convection cooking.

**Vaporization Systems:** Your gas grill is designed for use with the included Flav-R-Wave™ vaporization system. Do not use lava rock, ceramic briquettes or any other vaporization system other than the one that came with the gas grill.

## COOKING TEMPERATURES

**High Setting:** Produces temperatures at the cooking grid of approximately 600 - 650°F (320 - 340° C). Use this setting only for fast warm-up or for burning food residue from the cooking grids after cooking. This setting is also ideal for quickly searing steaks before reducing the temperature. Rarely, if ever, do you use the HIGH setting for extended cooking.

**Medium/High:** Produces temperatures at the cooking grid of approximately 550°F (290 ° C). Use this setting for warm-up and for grilling steaks and chops.

**Medium:** Produces temperatures inside the gas grill of approximately 450° F (230°C) with the lid down. Use this setting for most grilling of chicken, burgers and vegetables as well as for roasting and baking.

**Low:** Produces temperatures inside the gas grill of approximately 310- 350° F (155-175° C). Use this setting for all smoke cooking, large cuts of meat, delicate fish and for dough and pastry such as quesadillas.

**These temperatures are approximate only and vary with the outside temperature and the amount of wind.**

# COOKING TECHNIQUES

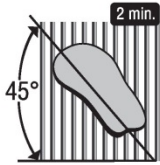
## DIRECT GRILLING

The direct grilling method involves cooking the food on grids directly over a lit burner. Direct grilling is the most popular method for most single serving items such as steaks, chops, fish, burgers, kebabs and vegetables.


1. Prepare food in advance to avoid delay and timing problems. If using marinade or spices, they should be applied before placing meat on the cooking grid. If basting with sauces, they should be applied in the last 2-4 minutes of grilling to avoid burning.
2. Organize the area around the gas grill to include forks, tongs, oven mitts, sauces and seasonings to allow you to stay in the vicinity of the gas grill while cooking.
3. Bring meat to room temperature just prior to grilling. Trim excess fat from meat to minimize the "flare-ups" that are caused by dripping grease.
4. Pre-heat the gas grill to the desired temperature with the lid closed.
5. Coat the grids with vegetable or olive oil to prevent food from sticking to the grids.
6. Hold the salt when cooking meats on the gas grill. The meat will stay juicier if the salt is added after cooking.
7. To prevent steaks from "drying out," use tongs rather than a fork and start on "MEDIUM/HIGH" to sear the meat and seal juices in. Reduce the heat and extend cooking times when grilling thicker cuts of meat.
8. Learn to test when the meat is done by time and feel. Meat firms up as it cooks. When the meat is soft it is rare. When it is firm, it is well done.
9. Follow the perfect steak grilling guide for most meat, fish, poultry and vegetables.

### THE PERFECT STEAK GRILLING GUIDE

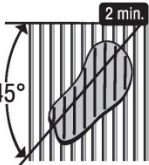
PLACE STEAK ON ANGLE ON HOT GRIDS.




FLIP THE STEAK AS SHOWN BELOW.



TURN AND FLIP THE STEAK AGAIN.



FINALLY, FLIP THE STEAK AGAIN.



Meat Thickness		Heat Setting	Time Per Side				Total Time
			A	B	C	D	
1½"	1"	High	1¾	1¾	1¾	1¾	7 minutes
	Rare	Med/High	2	2	2	2	8 minutes
Medium/Rare	Medium	Med/High	2¼	2¼	2¼	2¼	9 minutes
Medium	Well	Med	2½	2½	2½	2½	10 minutes
Well		Med	3	3	3	3	12 minutes

# COOKING TECHNIQUES

DIRECT GRILLING GUIDE				
	1" THICK	HEAT SETTING	TIME PER SIDE	TOTAL MINUTES
CHICKEN	MED / WELL	MED / LOW	4 / 4 / 4 / 4	16
CHICKEN WINGS	MED / WELL	MED / LOW	5 / 5 / 5 / 5	20
HAMBURGER	MEDIUM	MED / LOW	3 / 3 / 3 / 3	12
HAMBURGERS 3/4" FROZEN	MEDIUM	MED / LOW	3 / 3 / 3 / 3	12
FISH FILLET	MEDIUM	MEDIUM	2 / 2 / 2 / 2	8 - 10
LOBSTER TAILS SPLIT	MEDIUM	MEDIUM	4 / 4 / 4 / 4	16 - 20
<b>USE SAME TECHNIQUE AS THE PERFECT STEAK GRILLING GUIDE (PAGE 7).</b>				

## INDIRECT CONVECTION COOKING

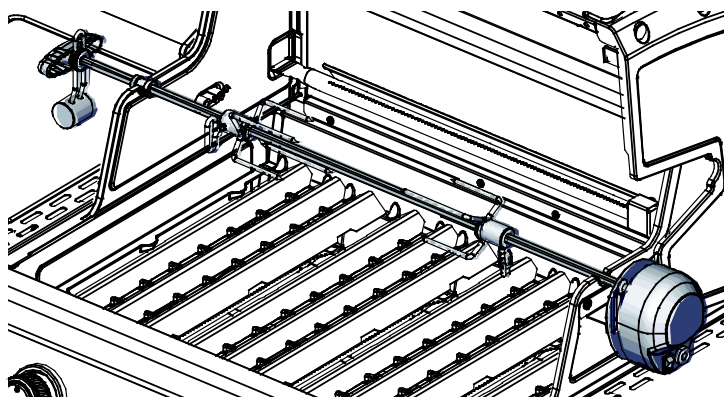
This method is ideal for cooking large cuts of meat such as roasts or poultry. The food is cooked by hot air circulating around it.

- For most applications of convection cooking with and without a rotisserie, a drip pan is recommended to catch the drippings. Place drip pan on top of the Flav-R-Wave, beneath center of food. Put half to one inch of water in the drip pan. Fruit juice, wine or marinade may also be added to enhance the flavor. Do not let the drip pan run dry.
- Convection cooking without a rotisserie is best with the lid closed and the heat reduced. All burners can be set to low or the outside burners can be set to medium and the middle burner(s) can be turned off. Turning the center burner off will prevent juices in the drip pan from burning.
- Prior to placing the meat on the gas grill, baste the meat with vegetable oil. This will enhance browning on the outside of the meat.
- When cooking without a drip pan, close attention must be paid to avoid the risk of a grease fire and is not recommended.
- Turn gas grill off and allow it to cool before removing drip pan. The fat drippings are highly flammable and must be handled carefully to avoid injury.
- For convection cooking roasts and poultry without a rotisserie, put meat in a roasting rack directly on grids.

INDIRECT CONVECTION AND ROTISSERIE COOKING GUIDE			
BEEF ROAST	3 - 6 Lb.	MED / LOW	2 - 4 HRS
BEEF ROAST	6 - 10 Lb.	MED / LOW	3 - 5 HRS
PORK ROAST	2 - 5 Lb.	MED / LOW	2 - 4 HRS
PORK ROAST	6 - 10 Lb.	MED / LOW	3 - 5 HRS
TURKEY OR CHICKEN	2 - 5 Lb.	MED / LOW	2 - 4 HRS
TURKEY OR CHICKEN	5 - 10 Lb.	MED / LOW	3 - 5 HRS
<b>WHEN USING ROTISSERIE BURNER, SET HEAT AT MED / HIGH</b>			

## ROTISSERIE COOKING

Follow the steps for Indirect Convection Cooking. (See left)



- The rotisserie can accommodate up to 7 kg (15lb) of meat with the limiting factor of rotating clearance. For best results the meat should be centered on the center line of spit to eliminate an out-of-balance condition.
- The rotisserie can be used with the cooking grids in place if space allows.
- Fasten the meat securely on the spit prior to placing it on the gas grill. For poultry, tie the wings and legs in tightly.

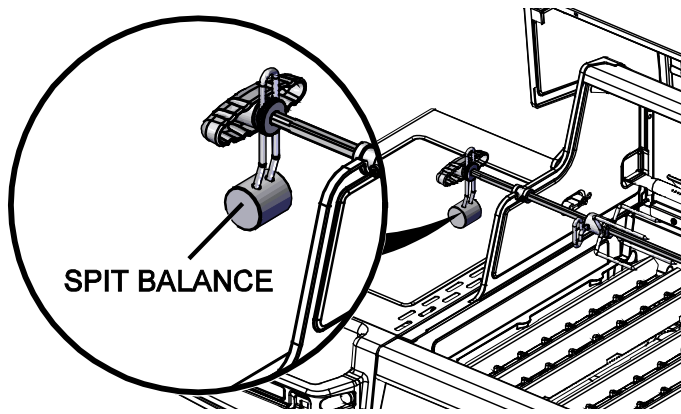
## REAR BURNER ROTISSERIE

- Certain models feature a rear burner for rotisserie cooking. The rear burner rotisserie method is the ultimate for cooking roasts and poultry. With the heat source located behind the food, there is no chance of a flare up caused by fat drippings. A dish or drip pan placed below the spit will collect the juices for basting or for preparing a sauce.
- The spring loaded rear burner may be easily removed when not in use.
- To operate your rear burner, see "Lighting the Rear Burner." (Page 6)

MEAT TEMPERATURE GUIDE			
	RARE	MED	WELL
BEEF / LAMB / VEAL	130°F / 55°C	146°F / 63°C	160°F / 70°C
PORK		150°F / 65°C	170°F / 77°C
POULTRY			170°F / 77°C
HAMBURGER			160°F / 70°C
<b>FOR BEST RESULTS, USE A MEAT THERMOMETER</b>			



# COOKING TECHNIQUES

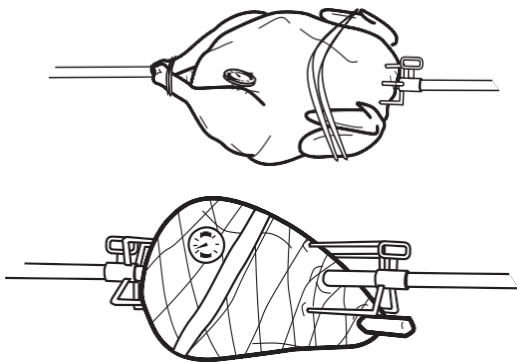


## SPIT BALANCE

1. Loosen the rod handle to allow the balance to turn freely.
2. Set the rotisserie rod in the slots of the gas grill casting. Let the heaviest side of the meat rotate to the bottom.
3. Adjust the balance to the top of the rod, opposite the heaviest side of the meat.
4. Tighten the rod handle. Periodically, check to see if the meat turns smoothly while cooking. Adjust the balancer as necessary. **CAUTION: Use oven mitt when adjusting balancer.**

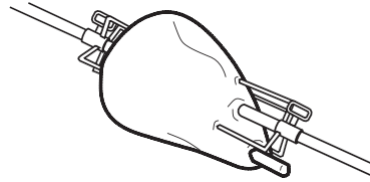
## HOW TO USE A PROBE THERMOMETER

1. The accurate way to determine when a large piece of meat is done is to use a probe thermometer. Insert the thermometer at an angle so the sturdy pointed metal tip rests in the center of the thickest part of the meat. **Be careful that it doesn't touch the spit or the bone, and that the point is not resting in fat (you will notice much less resistance when probing in fat).**



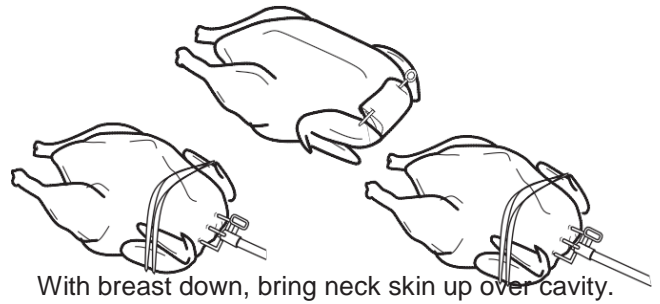
2. When the thermometer displays the desired temperature the meat is done. Add your sauces during the last few minutes of cooking time and let the meat stand about 15 minutes to firm up. Carve and serve.
- Poultry: insert the tip of the thermometer in the thickest part of the thigh close to the body.
  - Ham or roasts: insert the tip of the thermometer in the center of the heaviest section of the meat.

## USING A SPIT – LEG OF LAMB



1. Have 3" of bone sawed from small end of leg.
2. Leave meat around bone intact to form a flap.
3. Put a spit fork on rod.
4. Fold flap up and run rod through flap and leg.
5. Put second fork on rod and insert forks in each end of leg. Test for balance. Tighten screws.

## USING A SPIT – POULTRY



1. With breast down, bring neck skin up over cavity.
2. Turn under edges of skin; skewer to back skin.
3. Loop twine around skewer and tie.
4. Turn breast side up; tie or skewer wings to body.
5. Put a spit fork on rod. Insert rod in neck skin parallel to backbone and exit just above tail.
6. Put second fork on rod and insert forks in breast and tail. Test for balance. Tighten screws.
7. Tie tail to rod with twine. Cross legs; tie to tail.

## THREE CHICKENS ON A SPIT



1. Tie or skewer wings to body.
2. Put a spit fork on rod. Place chickens on rod as demonstrated in the above diagram.
3. Loop twine around tails and legs; tie to rod.
4. Put second fork on rod and insert forks in chicken. Tighten screws.

# MAINTENANCE

## REGULAR MAINTENANCE

To ensure optimal performance and safety, the following components should be inspected and cleaned as required before use of your gas grill.

### COOKING GRIDS - CAST IRON, CAST STAINLESS & HEAVY ROD STAINLESS

BROIL KING® Deep V cast iron and cast stainless cooking grids provide unsurpassed heat retention and grilling performance. BROIL KING® Heavy Rod stainless grids provide maximum durability and good heat retention and good grilling performance. BROIL KING® cast iron grids are coated with a porcelain enamel finish to protect the grids and reduce the tendency of food sticking to grids. Regular use and care improves performance and longevity of the grids.

For optimum performance:

- Before first use and after long periods of storage, wash grids using a light detergent and water and then rinse and dry with paper towel; never air dry grids or use a dishwasher
- Immediately after washing, season cooking grids by coating grids with an organic cold pressed cooking oil with a high smoke point, light the grill and operate on Med/Low for 30 minutes. Recommended cooking oils:
  - Avocado Oil – smoke point (260C/500F)
  - Rice Bran Oil – smoke point (255C/490F)
  - Canola Oil – smoke point (204C/400F)
- Before and after each use, brush grids with a good quality stainless steel bristle brush (Item #'s 65225, 64014, 64034) and lightly coat with a high smoke point cooking oil. This will continue the seasoning process
- **Use medium heat settings to preheat and grill to avoid burning off the protective seasoned coating**
- Avoid applying sugar based marinades or salt to meat before grilling, apply sugar based marinades at end of grilling and salt after grilling
- Use oil based marinades, avoid water based marinades
- Lightly coat food with cooking oil of your choice before grilling
- Turn and rotate your grids periodically
- Ensure the surface of the grid is always coated with a light layer of oil. This helps prevent rust and deterioration and improves the grids non-stick performance
- If rust does occur, Burn-Off the grid, brush with a stainless steel bristle brush and re-season

During long periods of inactivity, grids should be **seasoned**, then stored in a dry place. The grids may be wrapped in protective plastic food wrap. After periods of storage, Burn-Off grids, wash, dry with paper towel and re-season with high smoke point cooking oil.

#### Warning:

**If the grill is hot, use caution and oven mitts while handling the stainless steel bristle brush. Inspect the grids carefully after brushing to ensure there are no broken bristles left on the grid.**

### GREASE TRAY

The grease tray is in the pull out drawer located under the control panel. Clean regularly.

### FLAV-R-WAVE™

The Flav-R-Wave™ is designed to generate smoke and vapor from the food drippings in order to provide that authentic barbecue flavor while protecting the burner. If residue accumulates on the Flav-R-Wave™, remove the cooking grids and scrape the residue off the Flav-R-Wave™ with the grid lifter. (Part # 60745)

## GENERAL CLEANING

Perform a Burn-Off (see below).

When gas grill is cool, remove grids, scrape the Flav-R-Wave™ clean with grid lifter then remove the Flav-R-Wave™.

Clean the interior of the gas grill as necessary by scraping the sides and bottom of the cook box with the grid lifter and vacuum residue.

Rust is a natural oxidation process and may appear on internal stainless steel parts. Rust will not affect performance of your grill.

## BURN-OFF

Ignite the burners as per “Lighting” (page 15).

Operate gas grill on HIGH with lid closed for 10 minutes maximum.

Turn the gas source off then turn control knobs to OFF.

## ANNUAL MAINTENANCE

The following components should be inspected and cleaned at least once a year or after any period of storage over 30 days to ensure optimal performance, safety and efficiency.

## BURNER

Remove burner and inspect for cracks and deterioration. Clean venturi tubes using a pipe cleaner or venturi brush to eliminate any blockages. See “Venturi Tubes.” (Page 14) While the burner is removed, remove the grease shields, clean the interior of cook box by scraping the sides and bottom of the cook box and vacuuming.

## HOSE

Inspect and replace if necessary. For propane see “Hose and Regulator.” (Page 11)

## EXTERIOR ALUMINUM COMPONENTS

If white oxidation spots appear, wash the outside of the aluminum cook box with a mild soap and water solution. Rinse the surfaces thoroughly then wipe them with a cloth dipped in cooking oil to restore the luster. For repair of paint scratches and scuffs, use a good quality HIGH temperature (600°F) spray paint for touch-up.

## STAINLESS STEEL & PORCELAIN COMPONENTS

Wash with soap and water. Use stainless steel cleaner or “Bar Keepers Friend” to polish and remove stains or rust marks if they occur. Weathering and extreme heat can cause a stainless steel lid to turn a tan color. This is discoloration and is not considered a manufacturing defect.

## RESIN COMPONENTS AND SIDE SHELVES

Wash with soap and water.

## REPLACEMENT PARTS

If a problem is found with the regulator, hose, burner, or control valves, do not attempt repair. See your dealer, approved service center, or contact the factory for repairs or replacement parts. To ensure optimum performance, use only original BROIL KING® replacement parts.

## LEAK TEST

When reconnecting a gas cylinder on propane models, be sure to check for leaks. See “Leak Testing.” (Page 13)

# TROUBLESHOOTING

PROBLEM	POSSIBLE CAUSE	CORRECTIVE ACTION
<b>SMELL OF GAS</b>	<b>SHUT OFF LP CYLINDER VALVE AT ONCE. DO NOT USE THE APPLIANCE UNTIL LEAK IS SEALED.</b>	
Leak detected at cylinder, regulator or other connection.	<ol style="list-style-type: none"> <li>1. Regulator fitting loose.</li> <li>2. Gas leak in hose/regulator or control valves.</li> </ol>	<ol style="list-style-type: none"> <li>1. Tighten fitting and "Leak Test." (page 5)</li> <li>2. See authorized service center.</li> </ol>
Flames Beneath Control Panel (Flashback Fire)	<ol style="list-style-type: none"> <li>1. Venturi blocked.</li> </ol>	<ol style="list-style-type: none"> <li>1. Remove burner and clean venturi. See "Venturi Tubes" (page 5)</li> </ol>
Flickering Burner Flame or Low Temperatures on HIGH Setting	<ol style="list-style-type: none"> <li>1. Excess flow safety device has been activated in connection between cylinder and barbecue.</li> </ol>	<ol style="list-style-type: none"> <li>1. Turn LP cylinder valve off then turn all burners to OFF position. Disconnect the regulator from the cylinder. Wait two minutes. Re-attach regulator to the cylinder. Open the cylinder valve slowly. Wait one minute. Light grill as per "Lighting" (page 6)</li> </ol>
Burner Not Lighting	<ol style="list-style-type: none"> <li>1. Out of LP Gas.</li> <li>2. Ignitor issue.</li> <li>3. Excess flow safety device has been activated.</li> <li>4. Regulator is not fully connected to the cylinder valve.</li> <li>5. A leak in the system causing the excess flow device to activate.</li> <li>6. Venturi blocked or misaligned with valve orifice.</li> <li>7. Orifice(s) blocked.</li> <li>8. Hose is twisted.</li> </ol>	<ol style="list-style-type: none"> <li>1. Refill LP Gas Cylinder.</li> <li>2. Try manually lighting burner with a match. See "Lighting" (page 6). If burner lights successfully, it is an ignitor issue. See "Ignitor not Working" below</li> <li>3. Follow "Flickering Flame or Low Temperatures on HIGH setting" solution above.</li> <li>4. Tighten the regulator hand wheel.</li> <li>5. Leak test connections to determine loose fitting. Tighten fitting. Leak test system.</li> <li>6. Remove burner, clean venturi and realign with valve orifice. See page 5 for assistance.</li> <li>7. Remove burner, clean orifices with a pin or fine wire. Do not drill orifices.</li> <li>8. Straighten hose. Keep away from bottom casting.</li> </ol>
Ignitor Not Working	<ol style="list-style-type: none"> <li>1. Ignitor battery is dead</li> <li>2. Ignitor wire(s) not connected</li> <li>3. Electrode misaligned on burner</li> <li>4. Ignitor malfunction</li> </ol>	<ol style="list-style-type: none"> <li>1. Replace battery</li> <li>2. Ensure main burner and side burner electrode wires are all connected</li> <li>3. Realign electrode and clear any surrounding debris from area</li> <li>4. Use "Match Lighting" procedure. (Page 6)</li> </ol>
Decreasing Heat, "Popping Sound"	<ol style="list-style-type: none"> <li>1. Out of LP Gas.</li> <li>2. Venturi blocked.</li> </ol>	<ol style="list-style-type: none"> <li>1. Refill LP Gas Cylinder.</li> <li>2. Remove burner, clean venturi. See "Venturi Tubes" (Page 5) for assistance.</li> </ol>
Hot spots on Cooking Surface	<ol style="list-style-type: none"> <li>1. Venturi blocked</li> <li>2. Debris buildup on Flav-R-Wave</li> </ol>	<ol style="list-style-type: none"> <li>1. Remove burner, clean venturi. See "Venturi Tubes" (page 5) for assistance.</li> <li>2. Scrape off Flav-R-Wave and vacuum</li> </ol>
"Flare-ups" or Grease Fires	<ol style="list-style-type: none"> <li>1. Excessive grease buildup on vaporizer or in gas grill cook box</li> <li>2. Excessive heat.</li> </ol>	<ol style="list-style-type: none"> <li>1. Thoroughly scrape off Flav-R-Wave and inside of cookbox then vacuum out debris</li> <li>2. Turn burner controls to a lower setting</li> </ol>
Regulator Humming Noise	<ol style="list-style-type: none"> <li>1. Cylinder valve opened too quickly.</li> </ol>	<ol style="list-style-type: none"> <li>1. Open cylinder valve slowly.</li> </ol>
Yellow Flame	<ol style="list-style-type: none"> <li>1. Some yellow flame is normal. If it is excessive, the venturi may be blocked.</li> <li>2. Burner ports blocked.</li> </ol>	<ol style="list-style-type: none"> <li>1. Remove burner, clean venturi. See "Venturi Tubes" (page 5) for assistance.</li> <li>2. Remove burner &amp; clean with soft bristle brush (e.g. toothbrush).</li> </ol>
Inside of Lid Appears to be Peeling	<ol style="list-style-type: none"> <li>1. This is a build-up of grease. The inside of lid is not painted and cannot peel.</li> </ol>	<ol style="list-style-type: none"> <li>1. Clean with stiff bristle brush or scraper.</li> </ol>
Cooking Grids Rusting	<ol style="list-style-type: none"> <li>1. Porcelain enamel has been chipped</li> </ol>	<ol style="list-style-type: none"> <li>1. See "Maintenance" (page 10) for help</li> </ol>
Control panel or oven lights not working	<ol style="list-style-type: none"> <li>1. Unit not connected to power.</li> <li>2. Faulty transformer.</li> <li>3. Loose or corroded connections.</li> <li>4. Bulb blown</li> </ol>	<ol style="list-style-type: none"> <li>1. Connect GFI power cord to appliance. Plug to working power outlet.</li> <li>2. Check transformer output is 12Vac. Replace if required.</li> <li>3. Clean connections and ensure all connectors are pushed together firmly.</li> <li>4. Replace bulbs.</li> </ol>
<p><b>If troubleshooting fails to solve any of these or any other issues, please visit <a href="http://www.omcbbq.com">www.omcbbq.com</a> for more information including troubleshooting videos, tricks and tips or call customer service at 1-800-265-2150</b></p>		

# WARRANTY

The OMC Warranty is effective from date of purchase and is limited to the repair or replacement of parts at no charge which prove to be defective under normal domestic use.

In United States and Canada replacement is FOB Factory.

In all other countries replacement is FOB OMC Distributor (Consult your Dealer for name of OMC Distributor).

All other costs are the responsibility of the owner.

This warranty is extended only to the original purchaser as indicated on the warranty registration and applies only to products sold at retail and only when used exclusively by the purchaser in country where purchased. (Different types of gas used in different countries require appropriate valves, orifices and regulators.)

## WHAT IS COVERED

<b>CAST ALUMINUM COOK BOX COMPONENTS</b>	Lifetime
<b>PORCELAIN STEEL COOK BOX</b>	10 Years
<b>TUBE BURNERS</b>	5 Years
<b>REMAINING PARTS AND PAINT</b>	2 Years

## WHAT IS NOT COVERED

Any failures or operating difficulties due to accident, abuse, misuse, alteration, misapplication, vandalism, improper installation or improper maintenance or service, or failure to perform normal and routine maintenance, including but not limited to damage caused by insects within the burner tubes, as set out in the owner's manual.

Deterioration or damage due to severe weather conditions such as hail, hurricanes, earthquakes or tornadoes, discoloration due to exposure to chemicals either directly or in the atmosphere.

Shipping or transportation costs.

Removal or re-installation costs.

Labor costs for installation and repair.

Cost of service calls.

Liability for indirect, or consequential damages.

Gas grills deemed to be used as a communal amenity or gas grills not directly used and maintained by the purchaser

## REPLACEMENT PARTS

"Genuine OMC Gas Grill Parts" must always be used for replacement. Use of any other parts will automatically nullify the above warranty.

## BURNERS

The life of OMC burners (made of stainless steel) depends almost entirely on proper use, cleaning and maintenance. This warranty does not cover failure due to improper use and maintenance. For proper burner maintenance instructions see page 10.

## PORCELAIN-COATED COOKING GRIDS

All OMC cast iron cooking grids are coated with a durable porcelain enamel to assist in cleaning and reduce the tendency of food sticking to the grid. Porcelain is essentially a glass coating. Some chipping may occur if mishandled. This will not affect the use or performance of the grids. The grids are not warranted against chipping or rusting due to mishandling. Consult "Maintenance" (page 10) for proper cooking grid care and cleaning instructions.

## VAPORIZATION SYSTEMS

OMC Gas Grills are designed for use with Flav-R-Wave™ vaporization systems. Use of any other product will nullify the warranty.

## FLAV-R-WAVE™

The Flav-R-Wave™ is warranted against defects in materials or rust through for a period of 2 years from date of purchase. Surface rust will not affect the performance of the Flav-R-Wave™ and is not covered by the warranty. See "Maintenance" (page 10) for proper Flav-R-Wave™ care instructions.

## FREIGHT

Courtesy shipping is provided for warranty orders during the three (3) months after the original date of purchase. After this period, a freight charge will be applied to all warranty orders.

## REGISTER YOUR GRILL

You can register your grill's warranty online at [www.omcbbq.com](http://www.omcbbq.com) or by calling 1-800-265-2150.

## WARRANTY CLAIMS

All warranty is handled directly by OMC. Parts must be returned to OMC Warranty Department, shipping charges prepaid, accompanied by Model Number, Serial Number, and if your grill is not registered, proof of purchase (copy of sales slip or invoice). If inspection confirms the defect, OMC will repair or replace such part in accordance with the terms of the warranty.

On receipt of letter or fax (not by phone) OMC may at its option not require part or parts to be returned.

## NON AMERICAN/CANADIAN RESIDENTS

The above warranty is administered by the OMC distributor in your country. Contact your dealer for the name of your OMC distributor.



# GAS BARBECUES

## MANUEL DE L'UTILISATEUR

FONCTIONNEMENT AU PROPANE LIQUIDE (LP)  
AU CANADA, GAZ PROPANE



ANSI Z21.58-2018 / CSA 1.6-2018

## TABLE DES MATIÈRES

MESURES DE SÉCURITÉ.....	14
INSTALLATION.....	14
BONBONNE DE PROPANE LIQUIDE.....	15
BONBONNE AVEC DISPOSITIF ANTI-DÉBORDEMENT (OPD).....	16
TUYAU ET RÉGULATEUR.....	16
TEST D'ÉTANCHÉITÉ.....	17
TUBES VENTURI.....	17
ALLUMAGE.....	18
FONCTIONNEMENT.....	19
TECHNIQUES DE CUISSON.....	19
ENTRETIEN.....	22
DÉPANNAGE.....	23
GARANTIE.....	24

**REMARQUE POUR L'INSTALLATEUR : CES INSTRUCTIONS DOIVENT ÊTRE LAISSÉES AU CONSOMMATEUR.**



### DANGER

**S'IL Y A UNE ODEUR DE GAZ:**

1. FERMER L'ALIMENTATION EN GAZ DE L'APPAREIL.
2. ÉTEINDRE TOUTE FLAMME NUE.
3. OUVRIR LE COUVERCLE
4. SI L'ODEUR PERSISTE, ÉLOIGNEZ-VOUS DE L'APPAREIL ET APPELEZ IMMÉDIATEMENT VOTRE FOURNISSEUR DE GAZ OU LES POMPIERS.



### AVERTISSEMENT

1. NE PAS ENTREPOSER NI UTILISER DE L'ESSENCE OU AUTRES VAPEURS OU LIQUIDES INFLAMMABLES À PROXIMITÉ DE CET APPAREIL.
2. UNE BONBONNE DE PROPANE QUI N'EST PAS RACCORDÉE À L'APPAREIL NE DEVRAIT PAS ÊTRE ENTREPOSÉE À PROXIMITÉ DE CET APPAREIL OU DE TOUT AUTRE APPAREIL

**VEUILLEZ INSCRIRE LE NUMÉRO DE MODÈLE, LE NUMÉRO DE SÉRIE ET LA DATE D'ACHAT ICI.**

Ces renseignements se trouvent sur une étiquette d'avertissement noire et argent d'OMC à l'arrière ou sur le côté de votre gril à gaz.

Numéro de modèle					-			
Numéro de série					-			
Date d'achat		/		/				
	dd		mm				yyyy	

**LIRE ATTENTIVEMENT CES DIRECTIVES AVANT D'UTILISER VOTRE BARBECUE. CONSERVER CES DIRECTIVES POUR RÉFÉRENCE ULTÉRIEURE.**

POUR LES INSTRUCTIONS D'ASSEMBLAGE, CONSULTER VOTRE MANUEL D'ASSEMBLAGE OU VISITER [www.omcbbq.com](http://www.omcbbq.com) POUR VISIONNER NOS VIDÉOS SUR L'ASSEMBLAGE.

1-800-265-2150

info@omcbbq.com



**MANUFACTURING COMPANY**

585 KUMPF DRIVE  
WATERLOO, ONTARIO, CANADA  
N2V 1K3

SINCE 1906

LIMITED

FR

# MESURES DE SÉCURITÉ

Votre nouveau barbecue au gaz OMC est un appareil sécuritaire et pratique lorsqu'il est assemblé et utilisé correctement. Toutefois, comme tout appareil fonctionnant au gaz, certaines mesures de sécurité s'imposent. **Le non respect de ces mesures de sécurité peut causer de sérieux dommages ou des blessures graves.** Si vous avez des questions en ce qui concerne l'assemblage ou le fonctionnement de l'appareil, consultez votre marchand, technicien d'appareils à gaz, compagnie de gaz ou notre service à la clientèle au 1-800-265-2150 / info@omcbbq.com

## ATTENTION

- **UTILISER À L'EXTÉRIEUR SEULEMENT.**
- **POUR L'ENTREPOSAGE INTÉRIEUR, DÉTACHER LA BONBONNE ET LA RANGER À L'EXTÉRIEUR.**
- **NE PAS FAIRE FONCTIONNER CET APPAREIL SANS SURVEILLANCE.**
- **PRENDRE LES PRÉCAUTIONS NÉCESSAIRES POUR ÉLOIGNER LES ENFANTS DES SURFACES CHAUDES.**

Soyez prudent lorsque vous déplacez l'appareil. Les bords de métal peuvent être coupants. Utilisez les gants appropriés pour soulever ou déplacer le barbecue. Avant de soulever le gril, retirer les tablettes latérales et les grilles de cuisson.

## PRÉCAUTIONS À PRENDRE AVEC L'ÉLECTRICITÉ

1. Si vous utilisez un accessoire qui nécessite une source de courant électrique avec ce gril, l'accessoire doit être mis à la terre lorsqu'il est installé, selon les normes locales en vigueur. En l'absence de normes locales, les normes suivantes s'appliquent:  
**(É.-U.) ANSI/NFPA No. 70 - Dernière édition**  
**(Canada) CSA C22.1 Code Canadien de l'électricité**
2. Ne jamais couper ou enlever la broche de masse de la fiche électrique.
3. Éloigner le fil électrique et le boyau d'alimentation en gaz de toute surface chauffée.

## AVERTISSEMENT LIÉ À LA PROPOSITION 65

La manipulation du matériel en laiton de ce produit vous expose au plomb, un produit chimique identifié par l'État de la Californie comme cause le cancer, de malformations congénitales et d'autres troubles de l'appareil reproducteur. **LAVEZ-VOUS LES MAINS APRÈS AVOIR MANIPULÉ CE PRODUIT.**

## AVERTISSEMENT

Les combustibles utilisés dans les appareils à l'huile ou au gaz et leurs produits de combustion contiennent des produits chimiques identifiés par l'État de la Californie comme cause le cancer, d'anomalies congénitales et autres anomalies du système reproducteur. "Cet avertissement est émis en vertu du California Health and Safety Code Sec. 25249.6"

# INSTALLATION

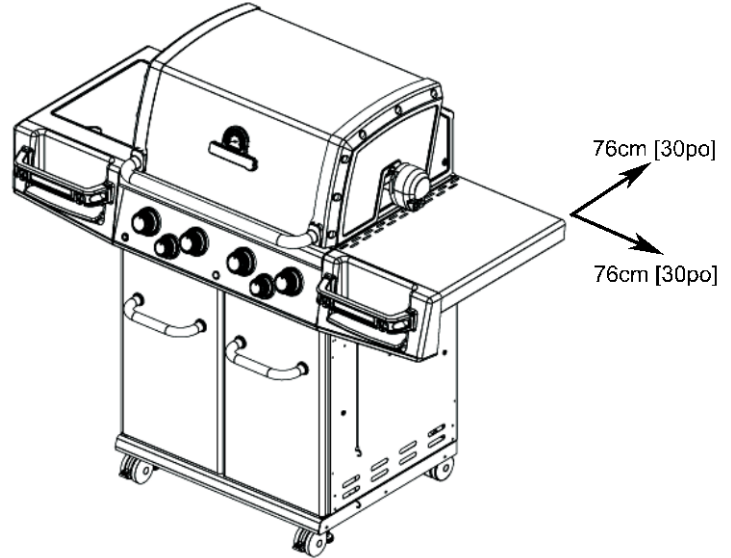
1. Aux États-Unis, cet appareil doit être installé selon les normes locales et la norme nationale applicable:

**ANSI Z223.1/NFPA 54 - Dernière édition du National Fuel Gas Code et plus récentes normes locales, s'il y a lieu.**

2. Au Canada, cet appareil doit être installé selon les normes locales et les normes applicables de la CSA:

**CSA-B149.1 Code d'installation d'appareils fonctionnant au gaz naturel ou au propane.**

3. Les côtés et l'arrière de l'appareil doivent être éloignés d'un minimum de 76cm / 30po de toute surface combustible.



4. Ne pas utiliser cet appareil sous une toiture ou un feuillage.
5. Cet appareil est conçu pour être **UTILISÉ À L'EXTÉRIEUR SEULEMENT. NE PAS UTILISER** dans un garage, un cabanon, sur un balcon ou tout endroit clos.
6. **NE PAS** limiter la circulation d'air à l'appareil.
7. Garder les environs de l'appareil libres de matières combustibles, d'essence et de tout liquide et vapeur inflammables.
8. Cet appareil n'est pas conçu pour être installé sur ou dans un véhicule récréatif ou un bateau.
9. Maintenir l'ouverture de ventilation de l'enceinte de la bonbonne libre et propre.

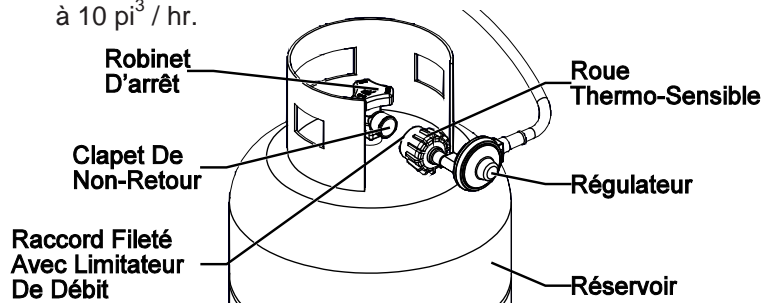
## INSTALLATION DE BONBONNE DE GAZ PROPANE

Les instructions suivantes s'appliquent seulement aux modèles LP. Les bonbonnes de gaz propane doivent être installées selon les instructions d'assemblage en utilisant les supports fournis. N'entreposez jamais une bonbonne de rechange sous cet appareil ou à proximité. Toutes les bonbonnes utilisées doivent être compatibles avec le support de rétention fourni.

# BONBONNE DE GAZ PROPANE

## QCC®-1 RACCORD À FERMETURE RAPIDE

1. Tous les modèles de barbecues au gaz OMC sont conçus pour l'utilisation avec une bonbonne de gaz propane équipée du système QCC®-1 de raccord à fermeture rapide.
2. Le système QCC®-1 incorpore les dispositifs de sûreté exigés par l'American National Standards Institute (ANSI) et le Conseil canadien des normes.
  - Le gaz circule seulement si une connexion positive est établie.
  - Un élément thermo-sensible stoppe le débit du gaz entre 240° et 300° F.
  - Lorsqu'activé, un limiteur de débit limite le débit du gaz à 10 pi<sup>3</sup> / hr.



3. **La bonbonne n'est pas fournie avec le barbecue au gaz.** Procurez-vous une bonbonne munie du raccord QCC®. Ce raccord est reconnaissable grâce au filetage extérieur sur son orifice d'alimentation. Les bonbonnes munies du raccord QCC® sont disponibles chez votre détaillant de grils.

**NOTE: Toute tentative de connexion du régulateur à l'aide d'adaptateurs ou d'autres moyens à une autre soupape pourrait causer dommages, incendies ou blessures et annuler les caractéristiques importantes de sécurité que procure le système QCC®.**

## SPÉCIFICATIONS

1. Toutes les bonbonnes utilisées avec cet appareil doivent être fabriquées et identifiées selon la norme Specifications for LP gas cylinders du U.S. Department of Transportation (D.O.T.) ou la norme CAN/CSA-B339, Bouteilles et tubes pour le transport de marchandises dangereuses des Normes nationales du Canada, selon le cas.
2. La capacité de la bonbonne utilisée avec cet appareil ne doit pas dépasser 9 kg (20 lb). Taille approximative: 46 cm (18 po) de hauteur et 31 cm (12 po) de diamètre.
3. Toutes les bonbonnes utilisées avec cet appareil doivent être inspectées à chaque remplissage et requalifiées par un distributeur autorisé à la date d'expiration de dix (10) ans selon les normes du DOT (USA) et le l'Office des transports du Canada (Canada).
4. Toutes les bonbonnes utilisées avec cet appareil doivent être munies d'un robinet d'arrêt se raccordant à un robinet de réglage N° 510, tel que stipulé par les normes "Standard for Compressed Gas Cylinder Valve Outlet and Inlet Connection" (USA) et ANSI/CGA-V-1-1977 (Canada) CSA B96.

5. Le système d'alimentation de la bonbonne doit permettre à la vapeur de s'échapper.
6. La bonbonne doit être munie d'un rebord pour protéger le robinet d'arrêt.
7. La bonbonne doit être installée conformément aux instructions d'assemblage.
8. Ne jamais remplir la bonbonne à plus de 80 % pour éviter un incendie qui pourrait causer de sérieuses blessures ou la mort.
9. La bonbonne doit être munie d'un robinet de sûreté et de décharge directement relié à la chambre de gaz à l'intérieur du réservoir.

## MANUTENTION

1. Les règlements gouvernementaux interdisent l'expédition de bonbonnes de propane pleines. Vous devez faire remplir votre nouvelle bonbonne chez un détaillant de propane.
2. Une bonbonne de propane pleine est sous extrême pression. Toujours la manipuler avec soin et la transporter en position verticale. Protéger la soupape contre les dommages accidentels
3. Ne pas incliner la bonbonne lorsque vous la fixez au régulateur. Fixez solidement la bonbonne pendant le transport, l'utilisation et l'entreposage.
4. Si la bonbonne est inclinée après sa connexion au régulateur, débranchez le régulateur et faites vérifier la bonbonne avant de la réutiliser.

## ENTREPOSAGE

1. Conserver la bonbonne à l'extérieur, dans un endroit bien aéré.
2. Ne pas entreposer la bonbonne en plein soleil ou près d'une source de chaleur ou de combustion.
3. Si vous rangez votre barbecue à l'intérieur, débranchez d'abord la bonbonne. Les bonbonnes déconnectées doivent être munies d'un bouchon anti-poussière et ne pas être entreposées dans un bâtiment, un garage ou tout autre espace clos.
4. Garder hors de la portée des enfants.
5. Lorsque la bonbonne est connectée au gril, ils doivent être entreposés à l'extérieur, dans un endroit bien aéré.

## FONCTIONNEMENT

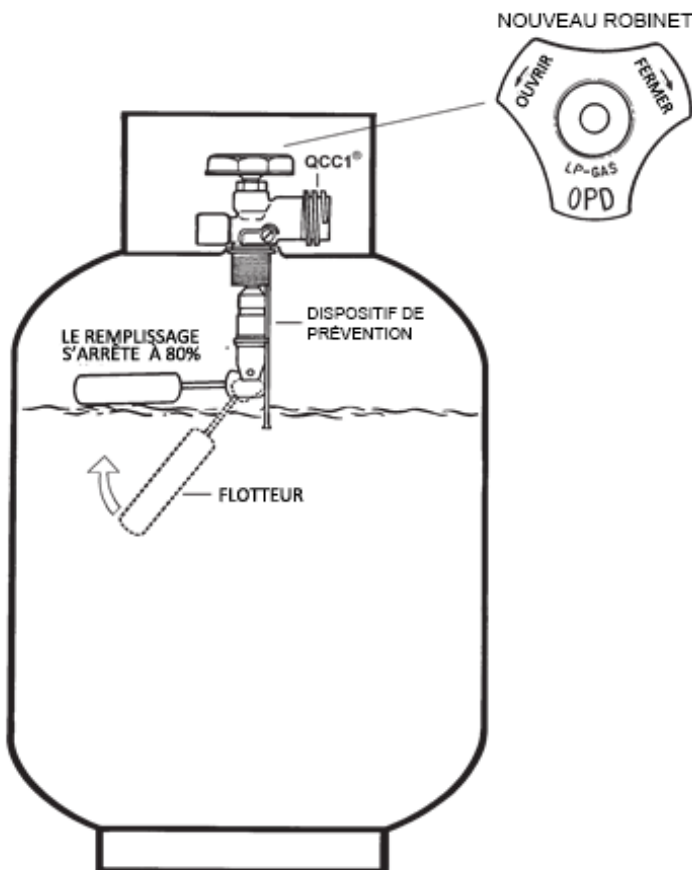
1. Ne jamais brancher votre gril à gaz à une bonbonne sans utiliser le régulateur fourni et **JAMAIS À UNE SOURCE DE GAZ PROPANE NON RÉGLEMENTÉE.** Vous devez utiliser le régulateur fourni avec le gril.
2. **Toujours** effectuer un test d'étanchéité quand vous connectez la bonbonne à votre appareil. Consultez "Test d'étanchéité" (Page 17).
3. **Ne jamais** faire fonctionner l'appareil lorsqu'il y a une odeur de gaz propane. Éteindre toute flamme et déterminer la source de l'odeur avant de continuer. **Ne pas** allumer l'appareil avant d'avoir trouvé et scellé la source de la fuite de propane.
4. **Toujours** fermer le robinet de la bonbonne quand l'appareil n'est pas utilisé.

## DISPOSITIF DE PRÉVENTION DE REMPLISSAGE EXCESSIF

1. La norme ANSI Z21.58/CAN/CGA-1.6 pour les appareils au gaz extérieurs exige qu'ils doivent être utilisés avec une bonbonne équipée d'un dispositif d'arrêt volumétrique ou dispositif de prévention de remplissage excessif.
2. Le dispositif a été conçu pour réduire la possibilité de remplissage excessif de la bonbonne de propane, diminuant ainsi la possibilité qu'une soupape de sûreté ne dégage du propane brut. Avec un tel dispositif, la purge et le remplissage s'effectuent plus lentement. Des postes de remplissage ont indiqué aux consommateurs que ces bonbonnes étaient "défectueuses". Ce n'est pas le cas. Il est possible que certains détaillants ne connaissent pas ce dispositif et son effet sur la purge et le remplissage.
3. Les nouveaux dispositifs sur le marché possèdent une technologie qui permet d'atteindre une meilleure performance en BTU, réduisant le temps requis pour la purge d'une bonbonne.

## IDENTIFICATION

Pour identifier ces bonbonnes, la forme du robinet est standard, tel que démontré ci-dessous.



1. Tous les modèles sont équipés d'un régulateur avec un raccord pour connexion rapide QCC®-1.
2. La connexion QCC possède un dispositif magnétique limitateur de débit de gaz dans le cas d'une fuite entre le régulateur et la soupape de l'appareil. Ce dispositif sera activé si le robinet de la bonbonne est ouvert quand les soupapes du barbecue sont ouvertes. **Assurer que les soupapes du grill sont fermées avant d'ouvrir le robinet de la bonbonne pour prévenir une activation accidentelle.**
3. Le raccord QCC® est muni d'une roue thermosensible qui fermera le module arrière de la bonbonne QCC® si la température atteint de 240° à 300°F. Si cela se produit, ne tentez pas de rebrancher. Remplacer l'assemblage du tuyau et du régulateur avec un neuf.
4. Le régulateur de pression est réglé à 28 cm (11 po) CE (colonne d'eau) et convient seulement pour le gaz propane. Le tuyau et les accouplements sont conformes à la norme CGA CAN 1.83. Ne pas tenter d'effectuer une modification ou une substitution.
5. Protéger le tuyau des graisses de cuisson qui s'égouttent et l'éloigner de toute surface chaude, y compris le fond du boîtier du grill.
6. Inspecter le joint du raccord de la soupape QCC® de la bonbonne lorsque vous remplacez la bonbonne, ou une fois l'an, selon ce qui est le plus fréquent. Remplacer le joint s'il y a des fissures, plis ou abrasions.
7. Inspecter le tuyau avant chaque utilisation. Si vous observez des fissures, coupures, abrasions ou tout autre dommage, ne pas utiliser l'appareil.
8. Pour la réparation ou le remplacement de l'assemblage du tuyau et du régulateur, communiquer avec le service à la clientèle.

## RACCORDEMENT

1. S'assurer que le robinet de la bonbonne et le barbecue sont fermés.
2. Placer la bonbonne pleine sur le support à bonbonne tel qu'indiqué dans les instructions d'assemblage.
3. Centrer le raccord sur le clapet de la bonbonne et tenir en place. Avec l'autre main, tournez la roue dans le sens des aiguilles d'une montre jusqu'au bout. Ne pas utiliser d'outils. Serrer à la main. Lors du raccordement, tenir le régulateur parallèle au clapet de la bonbonne pour assurer un raccord parfait.
4. Vérifier l'étanchéité. Voir "Test d'étanchéité". (Page 17)
5. Référez-vous aux instructions d'allumage. Pour éviter l'activation du limitateur de débit, ouvrez la bonbonne lentement et vérifiez que le barbecue est éteint. Si le limitateur de débit est accidentellement activé, fermer la bonbonne et les soupapes du barbecue, attendre 10 secondes, et rouvrir lentement le robinet de la bonbonne et ensuite les soupapes du barbecue.

## DÉCONNEXION

Toujours fermer le robinet de la bonbonne et enlever l'écrou de raccordement avant de déplacer la bonbonne de sa position d'utilisation.



# TEST D'ÉTANCHÉITÉ

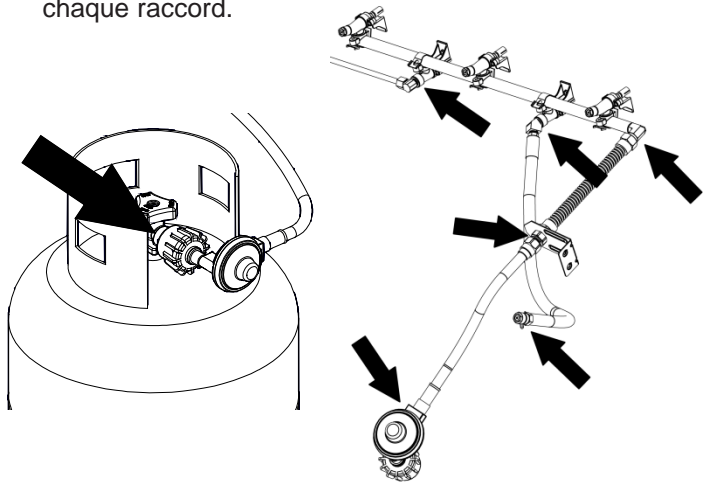
Toutes les connexions fabriquées en usine ont été testées pour des fuites de gaz. Toutefois, lors de l'expédition et la manutention, un raccord pourrait s'être desserré.

## MESURES DE PRÉCAUTION:

- Vérifier l'étanchéité de toutes les connexions avant d'utiliser votre barbecue au gaz.
- Tester la soupape de la bonbonne pour des fuites possibles à chaque remplissage.
- Inspectez pour des fuites à chaque fois que vous branchez un raccord de gaz.
- Ne jamais fumer lorsque vous testez l'étanchéité.
- Ne jamais vérifier s'il y a des fuites à l'aide d'une allumette ou d'une flamme nue.
- Effectuer le test d'étanchéité à l'extérieur.

## VÉRIFICATION DES FUITES DE GAZ:

1. Éteindre toute flamme nue ou cigarette à proximité.
2. Assurer que les soupapes de la bonbonne et de l'appareil sont fermées.
3. Connecter la bonbonne. Voir "Tuyau et régulateur". (Page 21)
4. Préparer une solution savonneuse: parties égales d'eau et de détergent liquide.
5. Ouvrir lentement le robinet de la bonbonne pleine.
6. Avec un pinceau, brosser la solution savonneuse sur chaque raccord.



7. Si la solution fait des bulles, il y a une fuite.
8. Si vous détectez une fuite, fermer le robinet de la bonbonne, resserrer la connexion et testez à nouveau.
9. Si la fuite persiste, communiquez avec votre détaillant. Ne pas faire fonctionner l'appareil s'il y a une fuite.

## Si votre barbecue est équipé d'un brûleur latéral ou arrière:

1. Suivre les étapes 1 à 5 ci-dessus.
2. Placer le bout du doigt sur l'ouverture de l'orifice au bout du tuyau.
3. Tourner le bouton de contrôle du brûleur latéral à la position "HIGH".
4. Brossez chaque raccord entre l'orifice et le bouton de contrôle avec une solution savonneuse.
5. Fermer le bouton de contrôle du brûleur arrière ou latéral.

# TUBES VENTURI

Toujours garder les tubes venturi propres. Les obstructions des tubes de venturi causées par les araignées, les insectes et les nids peuvent s'enflammer. Même si le barbecue s'allume, le gaz accumulé peut s'enflammer au niveau des tubes venturi, du panneau de commande ou du brûleur latéral.



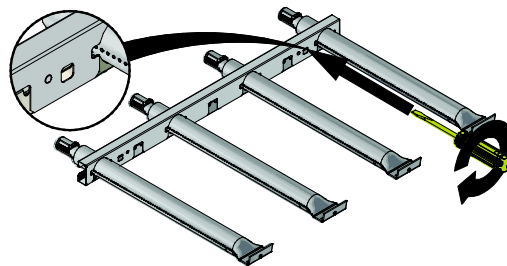
TUBE VENTURI TOILE D'ARAIGNÉE BRÛLEUR TUBULAIRE  
S'il y a un retour de flamme, fermer immédiatement la source de gaz.

Inspecter et nettoyer les tubes venturi (brûleur principal, brûleur latéral et brûleur arrière) si vous remarquez le suivant:

1. Une odeur de gaz.
2. Votre barbecue n'atteint pas la température désirée.
3. La température du barbecue n'est pas uniforme.
4. Les brûleurs émettent des crépitements.

## INSPECTION ET NETTOYAGE DES TUBES VENTURI

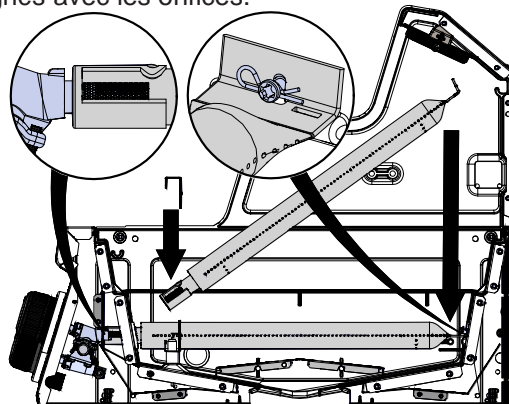
1. Fermer l'alimentation en gaz à l'aide du robinet de la bonbonne.
2. Lorsque le barbecue est refroidi, enlever les attaches de retenue des brûleurs et la partie supérieure du coffrage. Soulever les brûleurs du fond du boîtier.



3. Nettoyer les tubes venturi avec une tige ou accessoire de nettoyage à venturi (accessoire #77310 ou #18270).



4. Replacer le brûleur dans sa position originale dans le boîtier en veillant à ce que les tubes venturi soient bien alignés avec les orifices.

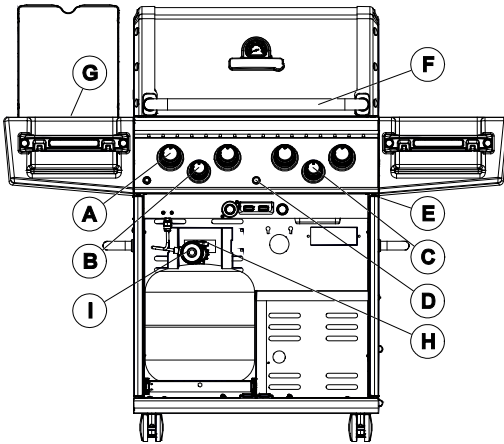


5. Replacer les attaches de retenue des brûleurs. Remettre le couvercle du coffrage en place.

# ALLUMAGE

## COMPOSANTES DE BASE D'UN BARBECUE AU GAZ

- A. Brûleur principal
- B. Brûleur latéral
- C. Brûleur arrière
- D. Allumeur
- E. Orifice d'allumage manuel
- F. Poignée
- G. Brûleur latéral
- H. Soupape de la bonbonne
- I. Régulateur



## INSTRUCTIONS D'ALLUMAGE

1. L'appareil doit être assemblé selon les instructions d'assemblage.
2. S'assurer que la bonbonne de propane est pleine et bien branchée au régulateur. Voir "Tuyau et régulateur". (Page 16)
3. S'assurer qu'il n'y a pas de fuites de gaz dans le système d'alimentation de gaz. Voir "Test d'étanchéité" (Page 17)
4. Veiller à ce que les tubes venturi sont bien situés sur les orifices des soupapes de gaz. Voir le diagramme de venturi. (Page 17)
5. S'assurer que les fils d'allumage du brûleur principal et du brûleur latéral sont connectés.
6. Lire attentivement toutes les instructions figurant sur la plaque de renseignements apposée au barbecue.
7. **AVERTISSEMENT: Toujours ouvrir le boîtier pendant l'allumage et ne pas se pencher au-dessus.**
8. Placer les boutons de contrôle à "OFF" et ouvrir le robinet de la bonbonne de gaz.

## ALLUMAGE DU BRÛLEUR PRINCIPAL:

- a. Ouvrir le boîtier et fermer seulement une fois allumé.
- b. Vérifier que la pile est installée dans le système d'allumage électronique.
- c. Pousser et tourner le bouton de l'un des brûleurs principaux à "HIGH".
- d. Pousser le bouton d'allumage et maintenir la pression ou allumez à l'aide d'une allumette.
- e. Le brûleur devrait s'allumer en 5 secondes, sinon, fermez immédiatement la source de gaz si le barbecue ne s'allume pas. Pour allumer le brûleur avec une allumette, voir f. ci-dessous.
- f. Insérer l'allumette enflammée dans le trou d'allumage sur le côté inférieur droit du boîtier.
- g. Pousser et tourner le bouton de contrôle du brûleur principal droit à "HIGH".
- h. Le brûleur devrait s'allumer en 5 secondes.
- i. Après l'allumage du premier brûleur, pousser et tourner le bouton de contrôle adjacent à "HIGH" et répéter pour les autres brûleurs qui devraient s'allumer automatiquement, sans l'allumeur.

Avis: En cas de vent, allumer chaque brûleur individuellement. Utiliser un porte-allumette pour placer une allumette enflammée près de chaque brûleur.

## ALLUMAGE DU BRÛLEUR LATÉRAL:

- a. Pousser et tourner le bouton du brûleur latéral à "HIGH".
- b. Pousser le bouton d'allumage et maintenez la pression.
- c. Le brûleur devrait s'allumer en 5 secondes. Pour allumer le brûleur avec une allumette, voir d. ci-dessous.
- d. Placer une allumette allumée près des orifices du brûleur.
- e. Pousser et tourner le bouton du brûleur latéral à "HIGH".
- f. Le brûleur devrait s'allumer en 5 secondes.

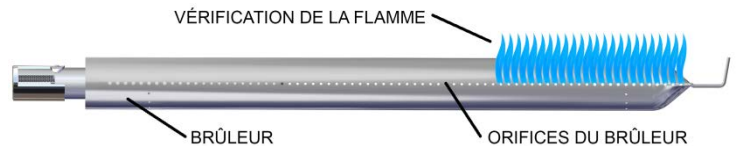
Note: Les casseroles sur le brûleur latéral ne devraient pas dépasser 9" (23 cm) de diamètre ou peser plus de 15 lbs (7 kg).

## ALLUMAGE DU BRÛLEUR ARRIÈRE POUR RÔTISSEUR:

Avertissement : ne pas faire fonctionner le brûleur principal en même temps que le brûleur arrière.

- a. Le brûleur arrière doit être en place avant de tourner le bouton de contrôle.
- b. **ENLEVER LA GRILLE DE RÉCHAUD.**
- c. Pousser et tourner le bouton du brûleur arrière à "HIGH"
- d. Pousser le bouton d'allumage et maintenir la pression.
- e. Le brûleur devrait s'allumer en 5 secondes. Pour allumez le brûleur avec une allumette, voir f. ci-dessous.
- f. Placer une allumette enflammée près des orifices du brûleur.
- g. Pousser et tourner le bouton du brûleur arrière à "HIGH"
- h. Le brûleur devrait s'allumer en 5 secondes.

**ATTENTION – Vérifier votre barbecue une fois allumé. Les orifices du brûleur devraient produire des flammes de 2.5cm / 1 po au réglage "HIGH".**



Si vous notez les problèmes suivants, il est possible que les tubes venturi soient bloqués. Fermer immédiatement le gaz et nettoyer les tubes venturi. Voir "Tubes venturi". (Page 17)

1. Une odeur de gaz.
2. Il y a un retour de flamme.
3. La température du gril n'est pas uniforme.
4. Les brûleurs émettent des crépitements.

## SI LE BRÛLEUR NE S'ALLUME PAS:

1. Pousser et tourner le bouton de contrôle à "ARRÊT". Attendre 5 minutes et essayer encore, avec le bouton de contrôle à "MEDIUM".
2. Si un brûleur ne s'allume pas, voir "Dépannage" à la page 23. Si le problème persiste, ne pas faire fonctionner l'appareil. Communiquez avec OMC, votre détaillant ou un centre de service approuvé.

## ÉTEINDRE L'APPAREIL:

1. Fermer le robinet de la bonbonne.
2. Tourner les boutons de contrôle à "ARRÊT".

# FONCTIONNEMENT

**Première utilisation: Avant de cuisiner avec votre barbecue pour la première fois, allumez-le pour brûler toute odeur ou corps étranger, comme suit:**

1. Les grilles de cuisson en place, allumez le barbecue au gaz en suivant les instructions d'allumage (page 26) et faire fonctionner le barbecue à "HIGH" de 10 à 15 minutes. Ensuite, fermer l'alimentation en gaz et tourner tous les boutons de contrôle à "ARRÊT".
2. Quand le barbecue est refroidi, vaporiser ou enduire généreusement toute la surface et les coins des grilles de cuisson d'huile d'olive ou végétale. Les grilles en fonte devraient être légèrement enduites à chaque utilisation.
3. Vous êtes prêt pour la cuisson. Passez au "préchauffage".

**Préchauffage:** Préchauffer le barbecue à MEDIUM/HIGH pendant 10 minutes, le couvercle fermé. Réduire la température selon ce que vous allez griller. Brossez fermement les grilles de cuisson avec une brosse en métal. Ensuite, enduire ou vaporiser les grilles d'huile d'olive ou végétale pour éviter que les aliments ne collent aux grilles.

**Position du couvercle:** La position du couvercle pendant la cuisson est une question de préférence personnelle mais le grill cuit plus rapidement, utilise moins de propane et contrôle mieux la température lorsque le couvercle est fermé. Un couvercle fermé donne aussi un goût plus fumé aux viandes cuites directement sur les grilles et est aussi indispensable pour la fumaison ou la cuisson à convection.

**Système de vaporisation:** Votre barbecue est conçu pour fonctionner avec le système de vaporisation Flav-R-Wave™ compris. Ne pas utiliser de pierres de lave, de briquettes en céramique ou tout autre système de vaporisation autre que celui fourni avec votre barbecue.

## TEMPÉRATURES DE CUISSON

**Réglage élevé:** La température à la surface des grilles est d'environ 600 – 650°F (320 – 340°C). Utiliser cette température pour chauffer rapidement le grill ou brûler les résidus d'aliments des grilles à la fin de la cuisson. Cette température est aussi idéale pour saisir des steaks avant de réduire la température. L'option de cuisson "HI" n'est que très rarement utilisée et ne convient pas à de longues périodes de cuisson.

**Moyen/élevé:** Produit une température à la surface des grilles d'environ 550°F (290 C) avec le couvercle fermé. Utiliser pour réchauffer le barbecue et pour cuire des biftecks et côtelettes.

**Moyen:** Produit une température d'environ 450° F (230°C) à l'intérieur du barbecue avec le couvercle fermé. Utiliser pour griller la volaille, les hamburgers, les légumes, pour rôtir et la cuisson au four.

**Bas:** Produit une température d'environ 310- 350° F (155-175° C) à l'intérieur du barbecue avec le couvercle fermé. Utiliser pour la fumaison, de grosses coupes de viande, des poissons délicats et pour la pâte et des pâtisseries, telles que des quesadillas.

**Ces températures sont approximatives et varient selon la température ambiante et la force du vent.**

# TECHNIQUES DE CUISSON

## CUISSON DIRECTE

La cuisson directe est une méthode qui cuit les aliments sur les grilles au-dessus d'un brûleur allumé. Il s'agit de la méthode la plus populaire de cuire les portions individuelles telles que les biftecks, côtelettes, poisson, hamburgers, brochettes et légumes.

1. Préparer la nourriture d'avance pour éviter les délais dans la coordination du repas. Si vous utilisez une marinade ou des épices, appliquer avant de placer la viande sur la grille de cuisson. Si vous badigeonnez, faites-le de 2 à 4 minutes avant la fin de la cuisson pour éviter la carbonisation.
2. Les fourchettes, pinces, gants, sauces et assaisonnements devraient être placés à proximité afin de ne pas avoir à quitter le barbecue pendant la cuisson.
3. La viande doit être à la température de la pièce avant la cuisson. Ôter le surplus de graisse de la viande pour minimiser les flambées causées par les égouttements de graisse.
4. Préchauffer le barbecue à la température désirée avec le couvercle fermé.
5. Enduire les grilles d'huile d'olive ou végétale pour prévenir que les aliments ne s'adhèrent aux grilles.
6. Ne pas saler la viande pendant la cuisson au barbecue. La viande demeure plus juteuse si on ajoute le sel après la cuisson.
7. Pour éviter des biftecks "secs", utiliser des pinces plutôt qu'une fourchette et commencer la cuisson à "MEDIUM / HIGH" pour saisir la viande et sceller la saveur. Réduire la chaleur et allonger la durée de cuisson pour griller des tranches de viande plus épaisses.
8. Apprenez à vérifier si la viande est prête selon le temps de cuisson et son apparence. La viande s'affermite en cuisant. Un bifteck mou est saignant, un bifteck ferme est bien cuit.
9. Suivez le guide de grillade du bifteck parfait pour la plupart des viandes, poissons, volailles et légumes.

### GUIDE POUR LA GRILLADE DU BIFTECK PARFAIT

DEPOSEZ LE BIFTECK À ANGLE SUR UNE GRILLE CHAUDE.

RETOURNEZ LE BIFTECK COMME ILLUSTRÉ CI-DESSOUS.

RETOURNEZ LE BIFTECK UNE DEUXIÈME FOIS.

RETOURNEZ LE BIFTECK UNE DERNIÈRE FOIS.

Épaisseur de la viande	Réglage de chaleur	Temps de cuisson par côté				Temps total		
		A	B	C	D			
1 1/2"	1"							
	Rare	Haut	1 1/4	1 1/4	1 1/4	1 1/4	7 minutes	
	Saignant	Mi-saignant	Moyen/Haut	2	2	2	2	8 minutes
	Mi-saignant	Moyen	Moyen/Haut	2 1/2	2 1/2	2 1/2	2 1/2	9 minutes
	Moyen	Bien cuit	Moyen	2 1/2	2 1/2	2 1/2	2 1/2	10 minutes
	Bien cuit	Moyen	3	3	3	3	3	12 minutes

# TECHNIQUES DE CUISSON

GUIDE DE CUISSON DIRECTE				
	ÉPAISSEUR 1 po	TEMPÉRATURE	DURÉE PAR CÔTÉ	TOTALE DE MINUTES
POULET	MOYEN / BIEN CUIT	MOYEN / BAS	4 / 4 / 4 / 4	16
AILES DE POULET	MOYEN / BIEN CUIT	MOYEN / BAS	5 / 5 / 5 / 5	20
HAMBURGER	MOYEN	MOYEN / BAS	3 / 3 / 3 / 3	12
HAMBURGERS 3/4" GELÉS	MOYEN	MOYEN / BAS	3 / 3 / 3 / 3	12
FILET DE POISSON	MOYEN	MOYEN	2 / 2 / 2 / 2	8 - 10
QUEUE DE HOMARD	MOYEN	MOYEN	4 / 4 / 4 / 4	16 - 20

UTILISEZ LA TECHNIQUE DE CUISSON DU BIFTECK PARFAIT (PAGE 19).

## CUISSON INDIRECTE À LA CONVECTION

Cette méthode est idéale pour cuire de grosses coupes de viandes comme des rôtis ou des volailles. La viande est cuite par l'air chaud qui circule autour des aliments.

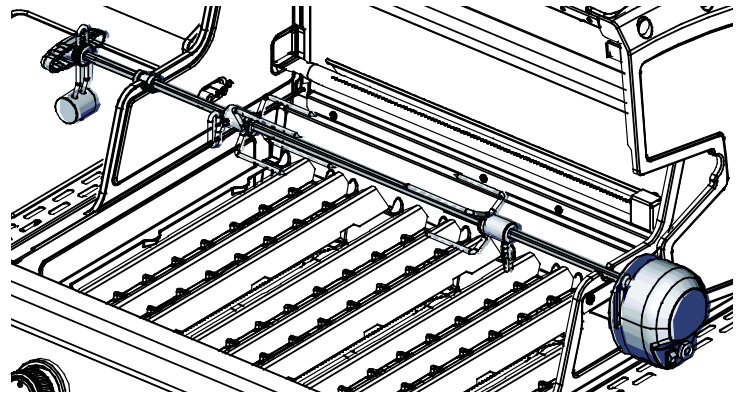
1. Pour la plupart des cuissons à convection avec ou sans tournebroche, on recommande l'utilisation d'une lèche-frite pour capter les jus de cuisson. Placer la lèche-frite sur le Flav- R-Wave, sous le centre de la viande. Verser un demi à un pouce d'eau dans la lèche-frite. Pour plus de saveur, ajouter du jus de fruit, du vin ou une marinade. Ne pas laisser le liquide s'évaporer complètement de la lèche-frite.
2. On recommande de fermer le couvercle et de cuire à basse température pour la cuisson par convection sans tournebroche. Tous les brûleurs peuvent être à "LOW" ou les brûleurs extérieurs à "MEDIUM" et le(s) brûleur(s) du centre à "OFF". En fermant les brûleurs du centre, on évite que le liquide dans la lèche-frite ne brûle.
3. Avant de placer la viande sur le gril, badigeonnez d'huile végétale pour dorer la viande.
4. La cuisson indirecte sans lèche-frite est déconseillée. Si vous le faites, faites bien attention car les jus de cuisson pourraient causer un feu de graisse.
5. Éteindre le gril et laisser refroidir avant d'enlever la lèche-frite. Les jus de cuisson sont hautement inflammables et doivent être manipulés avec soin pour éviter les blessures.
6. Pour une cuisson à convection de rôtis et de volaille sans tournebroche, placer la viande sur une rôtissoire directement sur les grilles de cuisson.

GUIDE POUR LA CUISSON À CONVECTION ET AU TOURNEBROCHE			
RÔTI DE BOEUF	3 - 6 Lb.	MOYEN/BAS	2 - 4 HRS
RÔTI DE BOEUF	6 - 10 Lb.	MOYEN/BAS	3 - 5 HRS
RÔTI DE PORC	2 - 5 Lb.	MOYEN/BAS	2 - 4 HRS
RÔTI DE PORC	6 - 10 Lb.	MOYEN/BAS	3 - 5 HRS
DINDE OU POULET	2 - 5 Lb.	MOYEN/BAS	2 - 4 HRS
DINDE OU POULET	5 - 10 Lb.	MOYEN/BAS	3 - 5 HRS

QUAND VOUS UTILISEZ LE BRÛLEUR ARRIÈRE, RÉGLER À MOYEN / HAUTE

## CUISSON AU TOURNEBROCHE

Suivre les étapes de la cuisson indirecte à convection.



1. Le tournebroche peut accommoder jusqu'à 15 lb (7 kg) de viande, limité seulement par l'espace de rotation. Pour de meilleurs résultats, installer la viande au centre de la broche afin qu'elle soit bien équilibrée.
2. Si l'espace le permet, le tournebroche peut être utilisé avec les grilles de cuisson en place.
3. Bien attacher la viande sur la broche avant de l'installer sur le barbecue. Pour la volaille, attacher fermement les ailes et les cuisses.

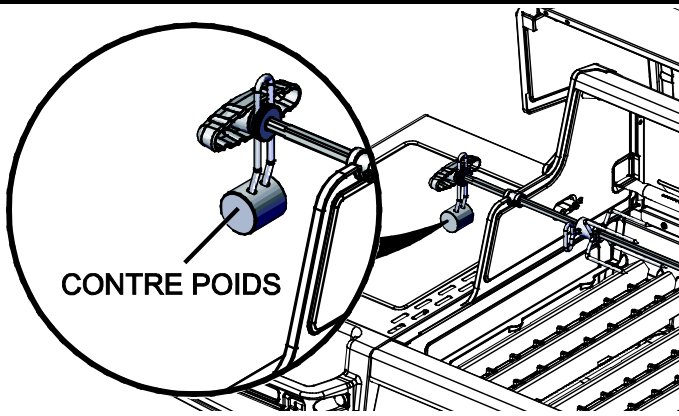
## CUISSON AU TOURNEBROCHE AVEC BRÛLEUR ARRIÈRE

1. Certains modèles sont équipés d'un brûleur arrière pour la cuisson au tournebroche. Cette méthode offre des résultats supérieurs pour la cuisson de rôtis et de volaille. Puisque la source de chaleur est située à l'arrière, il n'y aura pas de flambée causée par l'égouttement des jus de cuisson. Un plat ou une lèche-frite placée sous la broche permettra de recueillir les jus pour l'arrosage ou la préparation d'une sauce.
2. Le brûleur arrière à ressort peut être facilement enlevé lorsqu'il n'est pas utilisé.
3. Pour le fonctionnement du brûleur arrière, voir "Allumage du brûleur arrière". (Page 18)

GUIDE DE TEMPÉRATURE POUR VIANDES ET VOLAILLES			
	SAIGNANT	MOYEN	BIEN CUIT
BOEUF/AGNEAU/VEAU	130°F / 55°C	146°F / 63°C	160°F / 70°C
PORC		150°F / 65°C	170°F / 77°C
VOLAILLE			170°F / 77°C
HAMBURGER			160°F / 70°C

POUR DE MEILLEURS RÉSULTATS, UTILISER UN THERMOMÈTRE À VIANDE

# TECHNIQUES DE CUISSON

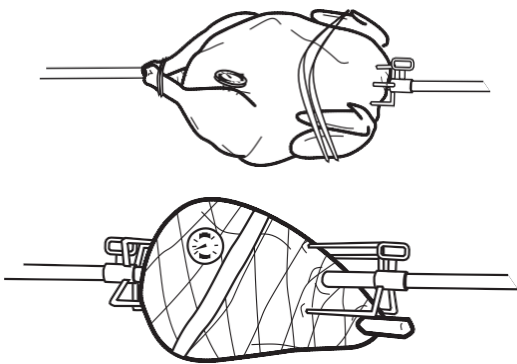


## ÉQUILIBRER LE TOURNEBROCHE

1. Desserrer la poignée de la broche pour permettre au contrepoids de balancer librement.
2. Placer la broche dans les coches du boîtier du barbecue. Permettre au côté le plus lourd de la viande de pivoter vers le bas.
3. Ajuster le contrepoids sur le dessus de la broche, à l'opposé du côté le plus lourd de la viande.
4. Serrer la poignée. Vérifier périodiquement que la viande tourne uniformément lors de la cuisson. Ajuster le contrepoids au besoin. **Attention: utiliser des gants de cuisine pour ajuster le contrepoids.**

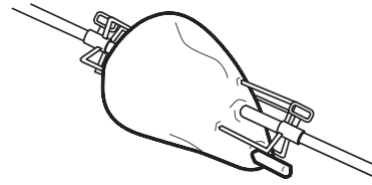
## COMMENT UTILISER UN THERMOMÈTRE À SONDE

1. La façon précise de déterminer qu'une grosse coupe de viande est cuite est d'utiliser un thermomètre à sonde. Insérer le bout métallique obliquement au centre de la viande, dans la partie la plus épaisse. **Veiller à ne pas toucher d'os ou la broche et vous assurer que la sonde est installée dans la chair, et non le gras. Vous remarquerez beaucoup moins de résistance lorsque le thermomètre sonde du gras.**



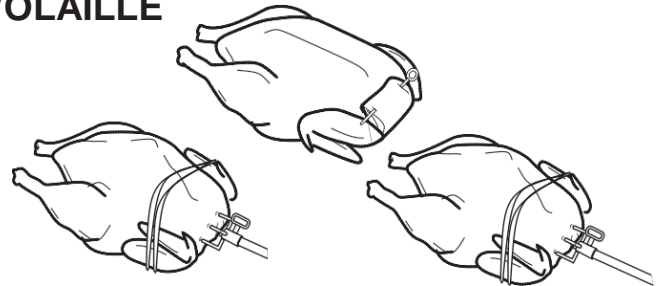
2. Quand le thermomètre indique la température désirée, la viande est cuite. Ajouter vos sauces dans les dernières minutes de cuisson. Laisser reposer la viande 15 minutes afin qu'elle se raffermisse. Découper et servir.
  - Volaille: insérer le bout du thermomètre dans la partie la plus épaisse de la cuisse, près du corps.
  - Jambon ou rôtis: insérer le bout du thermomètre au centre de la section la plus épaisse de la viande.

## UTILISER UNE BROCHE POUR UN GIGOT D'AGNEAU



1. Faire scier 3 po d'os de la petite partie du gigot.
2. Laisser la viande autour de l'os intacte pour former un rabat.
3. Placer une fourchette sur la broche.
4. Replier le rabat et passer la broche à travers le rabat et le gigot.
5. Placer une deuxième fourchette sur la broche et insérer les deux fourchettes à chaque extrémité du gigot. Vérifier l'équilibre. Serrer les vis.

## UTILISER UNE BROCHE POUR LA VOLAILLE



1. Poitrine vers le bas, recouvrir la cavité avec la peau du cou.
2. Plier la peau et fixer avec une brochette.
3. Enrouler une ficelle autour de la brochette et attacher.
4. Poitrine vers le haut, attacher les ailes au corps avec une ficelle ou une brochette.
5. Placer une fourchette sur la broche. Insérer la broche dans la peau du cou, parallèle à la colonne vertébrale, ressortir juste au-dessus de la queue.
6. Placer une deuxième fourchette sur la broche et insérer les dents dans la poitrine et la queue. Vérifier l'équilibre. Serrer les vis.
7. Avec de la ficelle, attacher la queue à la broche, croiser les cuisses et attacher à la queue.

## TROIS POULETS SUR UNE BROCHE



1. Avec une ficelle ou des brochettes, fixer les ailes au corps.
2. Placer une fourchette sur la broche. Placer les poulets sur la broche tel qu'indiqué sur le diagramme ci-dessus.
3. Enrouler une ficelle autour des queues et des cuisses. Fixer à la broche.
4. Placer la deuxième fourchette sur la broche et insérer les dents dans le poulet. Serrer les vis.

# ENTRETIEN

## ENTRETIEN RÉGULIER

Pour assurer un fonctionnement optimal et la sécurité, les composants suivants devraient être inspectés et nettoyés au besoin avant l'utilisation de votre gril à gaz.

### GRILLES DE CUISSON - FONTE, FONTE EN ACIER INOXYDABLE ET TIGE EN ACIER INOXYDABLE LOURDE

Les grilles de cuisson en fonte et fonte d'acier inoxydable en forme de V profonde de BROIL KING<sup>MD</sup> fournissent une rétention de chaleur inégale et une excellente performance de grillade.

Les grilles métalliques en acier lourd de BROIL KING<sup>MD</sup> offrent une grande durabilité et une bonne rétention de la chaleur, en plus d'une excellente performance de cuisson.

Les grilles en fonte de BROIL KING<sup>MD</sup> sont revêtues d'un émail de porcelaine pour protéger les grilles et réduire la tendance des aliments de coller aux grilles. L'entretien et l'utilisation régulière améliore la performance et la longévité des grilles.

Pour une performance optimale:

- Avant la première utilisation et après de longues périodes d'inactivité, lavez les grilles avec un détergent léger et de l'eau et puis rincez et séchez-les avec un essuie-tout ; ne jamais laisser les grilles sécher à l'air ou les mettre au lave-vaisselle.
- Immédiatement après le lavage, assaisonnez les grilles de cuisson en les enduisant d'une huile de cuisson biologique pressée à froid avec un point de fumée élevé, allumez le gril et faites-le fonctionner sur feu moyen/bas pendant 30 minutes.  
Huiles de cuisson recommandées:
  - Huile d'avocat – point de fumée (260C/500F)
  - Huile de riz – point de fumée (255C/490F)
  - Huile de Canola - point de fumée (204C/400F)
- Avant et après chaque utilisation, récurvez les grilles avec une brosse en acier inoxydable de bonne qualité (articles n° 65225, 64014, 64034) et enduisez-les légèrement d'une huile de cuisson à point de fumée élevé. Ceci poursuivra le processus d'assaisonnement.
- **Utilisez un réglage de chaleur moyen pour le préchauffage afin d'éviter de brûler le revêtement protecteur.**
- Ne pas appliquer des marinades à base de sucre ni saler la viande avant la grillade - faites-le plutôt après la cuisson.
- Utilisez des marinades à base d'huile et évitez les marinades à base d'eau.
- Enduisez légèrement les aliments de l'huile de friture de votre choix avant de les griller.
- Retourner vos grilles périodiquement.
- Assurez-vous que la surface de la grille est toujours enduite d'une légère couche d'huile. Cela empêche la rouille et la détérioration et améliore la performance antiadhésive des grilles.
- En cas de rouille, décalaminez la grille, récurvez-la avec une brosse en acier inoxydable et répétez le processus d'assaisonnement.

Pendant de longues périodes d'inactivité, les grilles devraient être **assaisonnées** et rangées dans un endroit sec. Les grilles peuvent être enveloppées dans une pellicule de plastique alimentaire protectrice. Après une période de rangement, décalaminez les grilles, lavez et séchez-les avec un essuie-tout et répétez le processus d'assaisonnement avec une huile de cuisson à point de fumée élevé.

#### Avertissement:

**Si la grille est chaude, utilisez des mitaines de four et soyez prudent(e) en manipulant la brosse en acier inoxydable. Inspectez les grilles soigneusement après le récurage pour vous assurer qu'il n'y ait aucune soie cassée ou laissée sur la grille.**

## PLATEAU À GRAISSE

Le plateau à graisse est situé dans le tiroir en-dessous du panneau de commande. Le nettoyer régulièrement.

### FLAV-R-WAVE<sup>MC</sup>

Le Flav-R-Wave est conçu pour produire de la fumée et de la vapeur à partir des égouttements de jus, afin de donner une saveur de barbecue authentique tout en protégeant le brûleur. Si des résidus s'accumulent sur le Flav-RWave<sup>MC</sup>, enlever les grilles de cuisson et racler les résidus sur le Flav-R-Wave<sup>MC</sup> avec le lève-grille. (Pièce n° 60745)

### NETTOYAGE GÉNÉRAL

Effectuer un brûlage (voir ci-dessous).

Lorsque le gril est froid, enlever les grilles, gratter les Flav-R-Wave et les enlever. Nettoyer l'intérieur du gril à gaz si nécessaire en raclant les côtés et le bas de la zone de cuisson avec le lève-grille et éliminer les résidus avec un aspirateur. La rouille est un processus d'oxydation naturel et elle peut apparaître sur les pièces internes en acier inoxydable. La rouille n'affectera pas les performances de votre gril.

### BRÛLAGE

Allumer les brûleurs, voir "Brûlage" (page 37). Faire fonctionner le gril à feu élevé, couvercle fermé, pendant 10 minutes ou jusqu'à ce qu'il n'y ait plus de fumée. Fermer la source de gaz et tourner les boutons de contrôle à OFF.

### ENTRETIEN ANNUEL

Les composantes suivantes doivent être inspectées et nettoyées au moins une fois par an ou après toute période d'entreposage de plus de 30 jours pour une performance optimale, sécuritaire et efficace.

### BRÛLEUR

Enlever le brûleur et examiner pour des signes de détérioration ou fissures. Nettoyer les tubes venturi à l'aide d'une tige ou d'une brosse à venturi pour éliminer les blocages. Voir "Tubes venturi" (page 36). Pendant que le brûleur est enlevé, nettoyer l'intérieur du boîtier en grattant les côtés et le fond et ensuite passer l'aspirateur.

### TUYAU

Examiner et remplacer, au besoin. Voir "Tuyau et régulateur". (Page 33)

### COMPOSANTS EXTÉRIEURS EN ALUMINIUM

Si des taches d'oxydation blanches apparaissent, laver l'extérieur du boîtier avec de l'eau et un détergent doux. Bien rincer les surfaces et les essuyer avec un chiffon imbibé d'huile de cuisson pour leur redonner leur lustre. Pour réparer les égratignures ou les marques sur la peinture, retoucher avec une peinture à pulvériser de bonne qualité pour surfaces à HAUTE température (600°F).

### COMPOSANTS EN ACIER INOXYDABLE ET PORCELAINE

Laver avec une solution d'eau savonneuse. Utiliser un nettoyant à inox pour polir et enlever les taches ou les marques. Les conditions atmosphériques et la chaleur extrême peuvent décolorer le couvercle en acier inoxydable au brun clair. Cette décoloration n'est pas considérée un défaut de fabrication.

### COMPOSANTS EN RÉSINE ET TABLETTES LATÉRALES

Nettoyer avec de l'eau savonneuse.

### PIÈCES DE RECHANGE

Si un problème survient avec le régulateur, le tuyau, les brûleurs, ou les boutons de contrôle, ne tentez pas de les réparer. Pour toute réparation ou pièce de rechange, voir votre détaillant ou un centre de réparation approuvé, ou communiquer avec le fabricant. Pour une performance optimale, n'utilisez que les pièces de rechange BROIL KING<sup>MD</sup>.

### TEST D'ÉTANCHÉITÉ

Quand vous rebranchez une bonbonne aux modèles propane, vérifier s'il y a des fuites. Voir "Test d'étanchéité" (Page 35).

# DÉPANNAGE

PROBLÈME	CAUSE POSSIBLE	MESURE CORRECTIVE
<b>ODEUR DE GAZ</b>	<b>FERMER IMMÉDIATEMENT LE ROBINET DE LA BONBONNE DE PROPANE. NE PAS UTILISER L'APPAREIL JUSQU'À CE QUE LA FUITE SOIT SCÉLLÉE.</b>	
Fuite détectée à la bonbonne, au régulateur ou autre connexion.	1. Raccord du régulateur desserré. 2. Fuite de gaz dans le tuyau/régulateur ou la soupape de contrôle.	1. Resserrer et voir "Test d'étanchéité" (page 17) 2. Voir votre centre de service autorisé.
Flammes sous le panneau de contrôle (retour de flamme)	1. Venturi bloqué.	1. Enlever le brûleur et nettoyer le venturi. Voir "Tubes venturi" (page 17)
Flamme de brûleur vacillante ou basse températures au réglage HIGH.	1. Le dispositif de sécurité limitateur de débit a été activé entre la bonbonne et le grill.	1. Fermer le robinet de la bonbonne de propane et éteindre tous les brûleurs. Débrancher le régulateur de la bonbonne. Attendre deux minutes. Rebrancher le régulateur à la bonbonne. Tourner le robinet de la bonbonne lentement. Attendre une minute. Allumer le grill et voir "Allumage" (page 18)
Le brûleur n'allume pas.	1. Manque de propane. 2. Problème avec le bouton d'allumage.  3. Le dispositif de sécurité limitateur de débit a été activé. 4. Le régulateur n'est pas complètement connecté à la soupape de la bonbonne. 5. Une fuite dans le système a activé le dispositif limitateur de débit. 6. Venturi bloqué ou non aligné avec l'orifice de la soupape. 7. Orifice(s) bloqué(s). 8. Tuyau tordu.	1. Faire remplir la bonbonne. 2. Tenter d'allumer manuellement le brûleur avec une allumette. Voir "Allumage" (page 18). Si le brûleur s'allume, le bouton d'allumage fait défaut. Voir "Bouton d'allumage ne fonctionne pas" ci-dessous. 3. Suivre la solution "Flamme de brûleur vacillante ou basse température au réglage HIGH" ci-dessus. 4. Serrer la roue à main du régulateur.  5. Tester l'étanchéité des connexions pour déterminer la composante desserrée. Resserrer. Tester l'étanchéité du système. 6. Enlever le brûleur, nettoyer le venturi et réaligner avec l'orifice de la soupape. Voir la page 17. 7. Enlever le brûleur et nettoyer les orifices avec une aiguille ou un fil en métal. N'utilisez pas une perceuse. 8. Redresser le tuyau. Éloigner du fond du boîtier.
Le bouton d'allumage ne fonctionne pas.	1. La pile du bouton d'allumage ne fonctionne plus 2. Les fils du bouton d'allumage ne sont pas branchés 3. L'électrode n'est pas bien alignée sur le brûleur 4. Le bouton d'allumage ne fonctionne pas	1. Remplacer la pile. 2. Vérifier que les fils de l'électrode du brûleur principal et du brûleur latéral sont connectés 3. Réaligner l'électrode et enlever tout débris de l'espace. 4. Voir "Allumer le brûleur avec une allumette" (Page 18)
Chaleur moins intense, crépitements.	1. Panne de propane. 2. Venturi bloqué.	1. Faire remplir la bonbonne. 2. Enlever le brûleur et nettoyer le venturi. Voir "Tubes venturi" (Page 17).
Sections chaudes sur la surface de cuisson	1. Venturi bloqué 2. Débris accumulés sur le Flav-R-Wave	1. Enlever le brûleur et nettoyer le venturi. Voir "Tubes venturi" (Page 17). 2. Gratter le Flav-R-Wave et passer l'aspirateur.
Flambées ou feux de graisse	1. Accumulation excessive de graisse sur le vaporisateur ou dans le boîtier du barbecue 2. Chaleur excessive.	1. Bien gratter le Flav-R-Wave et l'intérieur du boîtier et passer l'aspirateur pour enlever les débris 2. Tourner les boutons de contrôle à une température inférieure
Vrombissement du régulateur	1. Le robinet de la bonbonne a été ouvert trop rapidement.	1. Ouvrir le robinet plus lentement.
Flamme jaune	1. Il est normal d'apercevoir un peu de flammes jaunes mais en quantité excessive, il est possible que le venturi soit bloqué. 2. Orifices du brûleur bloqués.	1. Enlever le brûleur et nettoyer le venturi. Voir "Tubes venturi" (page 17). 2. Enlever le brûleur et nettoyer avec une brosse à soies souples (ex: brosse à dent).
L'intérieur du couvercle semble peler	1. Une accumulation de graisse. L'intérieur du boîtier n'est pas peint donc il ne peut pas peler.	1. Nettoyer avec une brosse à poils rigides ou un grattoir.
Rouille sur les grilles de cuisson	1. L'émail s'est écaillé	1. Voir "Entretien" (page 22)
L'éclairage du panneau de commande ou du four ne fonctionne pas	1. L'appareil n'est pas raccordé à la source d'alimentation. 2. Convertisseur défectueux. 3. Raccords desserrés ou corrodés. 4. Ampoule brûlée	1. Raccordez le cordon électrique avec disjoncteur de mise à la terre à l'appareil. Branchez l'appareil dans une prise électrique fonctionnelle. 2. Vérifiez que le débit du convertisseur est 12 V.c.a. Remplacez au besoin. 3. Nettoyez les raccords et assurez-vous que tous les connecteurs sont solidement comprimés. 4. Remplacez les ampoules

**Si ce dépannage ne résout pas ces problèmes particuliers ou autres, visitez [www.omcbbq.com](http://www.omcbbq.com) pour plus de renseignements, y compris des capsules de dépannage, conseils et astuces ou appelez le service à la clientèle au 1-800-265-2150**

# GARANTIE

La garantie d'OMC entre en vigueur à compter de la date d'achat, et se limite à la réparation ou au remplacement gratuit(e) des pièces qui s'avèrent être défectueuses sous des conditions d'utilisation domestique normales.

Au Canada et aux États-Unis, les pièces de remplacement sont expédiées FOB usine.

Dans tous les autres pays, elles sont expédiées FOB le Distributeur OMC (veuillez consulter votre concessionnaire pour le nom du distributeur OMC). Tous les autres coûts sont la responsabilité du propriétaire. Cette garantie n'est accordée qu'à l'acheteur original indiqué sur le formulaire d'enregistrement de la garantie, et ne s'applique qu'aux produits vendus au détail et utilisés dans le pays d'achat. (Les différents types d'alimentation en gaz nécessitent de différents régulateurs, valves et orifices).

## CE QUI EST COUVERT PAR LA GARANTIE

<b>COMPOSANTES DE LA CHAMBRE DE CUISSON EN FONTE D'ALUMINIUM</b>	Vie
<b>CHAMBRE DE CUISSON EN ACIER ÉMAILLÉ DE PORCELAINE</b>	10 Ans
<b>BRÛLEURS EN TUBE</b>	5 Ans
<b>PIÈCES RESTANTES ET PEINTURE</b>	2 Ans

## CE QUI N'EST PAS COUVERT PAR LA GARANTIE

Toutes défaillances ou difficultés au niveau du fonctionnement causées par un accident, l'abus, une mauvaise utilisation, une modification, une mauvaise application, le vandalisme, une mauvaise installation, l'entretien/le service incorrect, ou un manquement à fournir l'entretien régulier, y compris sans limitations les dommages causés par les insectes dans les brûleurs, tel qu'indiqué dans le guide de l'utilisateur.

La détérioration ou les dommages causés par les intempéries telles que la grêle, les ouragans, les tremblements de terre ou les tornades, la décoloration suite à l'exposition directe ou indirecte aux produits chimiques.

Coûts d'expédition ou de transport.

Coûts d'enlèvement ou de réinstallation.

Coûts de main d'œuvre pour l'installation et les réparations.

Coûts des appels de service.

Responsabilité pour les dommages indirects ou consécutifs.

Les grils à gaz prévus pour l'usage comme aménagement commun ou les grils à gaz non directement utilisés et entretenus par l'acheteur.

## PIÈCES DE REMPLACEMENT

Les "pièces de remplacement OMC véritables" doivent toujours être utilisées en cas de remplacement. L'installation de différentes pièces annulera automatiquement la garantie ci-dessus.

## BRÛLEURS

La durée de vie des brûleurs OMC (fabriqués d'acier inoxydable) dépend presque totalement d'une utilisation correcte et d'un bon nettoyage et entretien. Cette garantie ne protège pas contre l'utilisation et l'entretien incorrects. Veuillez consulter la page 23 pour des directives d'entretien des brûleurs.

## GRILLES DE CUISSON REVÊTUES DE PORCELAINE

Toutes les grilles de cuisson en fonte d'OMC sont revêtues de porcelaine émaillée pour faciliter le nettoyage et réduire l'adhésion des aliments sur la grille. La porcelaine agit essentiellement d'un revêtement en verre. Une mauvaise manipulation peut causer l'écaillage de cette finition. Ceci n'affectera pas le fonctionnement ni la performance des grilles. La garantie ne protège pas contre l'écaillage ou la rouille des grilles en raison d'une mauvaise manipulation. Veuillez consulter la section "Entretien" à la page 22 pour les directives d'entretien et de nettoyage.

## SYSTÈMES DE VAPORISATION

Les grils à gaz OMC sont conçus pour l'utilisation avec les systèmes de vaporisation Flav-R-Wave™. L'usage de tout autre produit annulera la garantie.

## FLAV-R-WAVE™

Les composants Flav-R-Wave™ sont garantis contre tout défaut de matériel ou la rouille pendant 2 ans compter de la date d'achat. La rouille superficielle n'affectera pas la performance des composants Flav-R-Wave™, et elle n'est pas couverte par la garantie. Veuillez consulter la section "Entretien" à la page 22 pour les directives d'entretien des composants Flav-R-Wave™.

## TRANSPORT

L'expédition est offerte gratuitement pour les commandes de garantie envoyées dans les trois (3) mois qui suivent la date d'achat. Après cette période, un frais d'expédition s'appliquera à toutes les commandes de garantie.

## ENREGISTREZ VOTRE GRIL

Vous pouvez enregistrer la garantie de votre gril en ligne sur [www.omcbbq.com](http://www.omcbbq.com) ou en composant le 1-800-265-2150.

## RÉCLAMATIONS DE GARANTIE

Toutes les réclamations de garantie sont traitées directement par OMC. Les pièces doivent être renvoyées au Service de la garantie d'OMC, les frais d'expédition prépayés, accompagnées du no de modèle et de série, et si votre gril n'est pas enregistré, de la preuve d'achat (copie du reçu de vente ou de la facture). Dans le cas où l'inspection confirme une défaillance, OMC réparera ou remplacera la pièce en question selon les provisions de la garantie. Sur la réception d'une lettre ou d'une télécopie (non par téléphone) et à sa propre discrétion, OMC peut choisir de ne pas exiger le renvoi des pièces.

## RÉSIDENTS NON AMÉRICAINS/CANADIENS

La garantie ci-dessus est administrée par le distributeur OMC dans votre pays. Veuillez contacter le détaillant pour savoir le nom de votre distributeur OMC.





# PARRILLA A GAS

## MANUAL DEL USUARIO

PARA USAR CON GAS LP (PROPANO LICUADO) EN CANADÁ, GAS PROPANO



ANSI Z21.58-2018 / CSA 1.6-2018

## ÍNDICE

SEGURIDAD .....	26
INSTALACIÓN .....	26
CILINDRO DE GAS LP .....	27
CILINDRO CON OPD.....	28
MANGUERA Y REGULADOR .....	28
PRUEBA DE FUGAS .....	29
TUBOS VENTURI .....	29
ENCENDIDO .....	30
FUNCIONAMIENTO .....	31
TÉCNICAS DE COCCIÓN .....	31
MANTENIMIENTO .....	34
DIAGNÓSTICO DE PROBLEMAS .....	35
GARANTÍA .....	36

**NOTA PARA EL INSTALADOR: HAY QUE DEJARLE ESTAS INSTRUCCIONES AL CLIENTE.**



### PELIGRO

SI SIENTE OLOR A GAS:

1. CORTE EL SUMINISTRO DE GAS DEL ARTEFACTO.
2. APAGUE TODAS LAS LLAMAS EXPUESTAS.
3. ABRA LA TAPA
4. SI EL OLOR PERSISTE, MANTÉNGASE A DISTANCIA DEL ARTEFACTO Y LLAME INMEDIATAMENTE A SU PROVEEDOR DE GAS O A LOS BOMBEROS.



### ADVERTENCIA

1. NO ALMACENE NI UTILICE GASOLINA NI OTROS LÍQUIDOS NI VAPORES INFLAMABLES EN LAS PROXIMIDADES DE ESTA PARRILLA.
2. LOS CILINDROS LP QUE NO ESTÉN CONECTADOS A LA PARRILLA NO DEBEN ALMACENARSE CERCA DE ÉSTE NI DE NINGÚN OTRO ARTEFACTO.

**INTRODUZCA AQUÍ SU NÚMERO DE MODELO, NÚMERO DE SERIE Y FECHA DE COMPRA.**

Esta información puede encontrarse en la etiqueta de advertencia negra y plateada de OMC que se encuentra en la parte posterior o lateral de su parrilla a gas.

Número de modelo					-			
Número de serie					-			
Fecha de Compra			/			/		
			dd			mm	aaaa	

**LEA CUIDADOSAMENTE TODAS LAS INSTRUCCIONES ANTES DE UTILIZAR SU PARRILLA A GAS. GUARDE ESTAS INSTRUCCIONES PARA REFERENCIA FUTURA.**

POR INSTRUCCIONES DE ARMADO, CONSULTE SU MANUAL DE ARMADO O VISITE [www.omcbbq.com](http://www.omcbbq.com) PARA VER NUESTROS VIDEOS DE ARMADO.

1-800-265-2150  
info@omcbbq.com



SINCE 1906  
**MANUFACTURING COMPANY**  
LIMITED  
585 KUMPF DRIVE  
WATERLOO, ONTARIO, CANADA  
N2V 1K3

ES

# SEGURIDAD

Su nueva parrilla a gas OMC es un artefacto seguro y práctico si se arma y se usa correctamente. Sin embargo, como sucede con todo artefacto que funciona con gas, es necesario respetar ciertas medidas de seguridad al utilizarlo. **No seguir estas medidas de seguridad podría causar heridas o daños graves.** Si tiene alguna pregunta sobre el montaje o utilización de la parrilla, consulte a su distribuidor, a un especialista en artefactos a gas, a la compañía de gas o llame a nuestro servicio de atención al cliente al 1-800-265-2150. / info@omcbbq.com

## CUIDADO

- **SÓLO PARA USO EN EXTERIORES.**
- **SI GUARDA LA PARRILLA EN UN INTERIOR, DESCONECTE Y DEJE EL CILINDRO EN EL EXTERIOR.**
- **ESTE ARTEFACTO NO PUEDE DEJARSE FUNCIONANDO SIN ATENDERLO.**
- **DEBE PONERSE ESPECIAL CUIDADO EN MANTENER A LOS NIÑOS PEQUEÑOS ALEJADOS DE LAS SUPERFICIES CALIENTES.**

Tenga cuidado al manejar o transportar este producto. Los bordes de metal pueden ser peligrosos. Utilice los guantes adecuados para levantar o manipular el artefacto. Antes de levantarlo, retire los estantes, rejillas y parrillas.

## PRECAUCIONES ELÉCTRICAS

1. Si en combinación con este artefacto utiliza cualquier accesorio que necesite una fuente externa de alimentación de corriente, deberá instalar dicho accesorio con una toma eléctrica a tierra, de acuerdo con los códigos locales. Si no hubiese códigos locales, guíese por las siguientes normas:

**(EE.UU.) ANSI/NFPA No. 70- Última edición y (Canadá) CSA C22.1 Código eléctrico de Canadá**

2. No corte ni desconecte la toma a tierra del enchufe.
3. Mantenga el cable de alimentación y la manguera del combustible alejados de toda superficie caliente.

## ADVERTENCIA SEGÚN LA LEY 65

Al manipular el bronce que contiene este producto, usted se está exponiendo al plomo, un producto químico que de acuerdo con el Estado de California produce cáncer, defectos de nacimiento y otros daños reproductivos. **LÁVESE LAS MANOS LUEGO DE MANIPULAR ESTE PRODUCTO.**

## ADVERTENCIA

El combustible utilizado en artefactos que queman gas o aceite y los productos de dicha combustión contienen productos químicos que de acuerdo con el Estado de California producen cáncer, defectos de nacimiento y otros daños reproductivos. Esta advertencia se emite de acuerdo con lo establecido por el Código Sanitario y de Seguridad de California, Sección 25249.6

# INSTALACIÓN

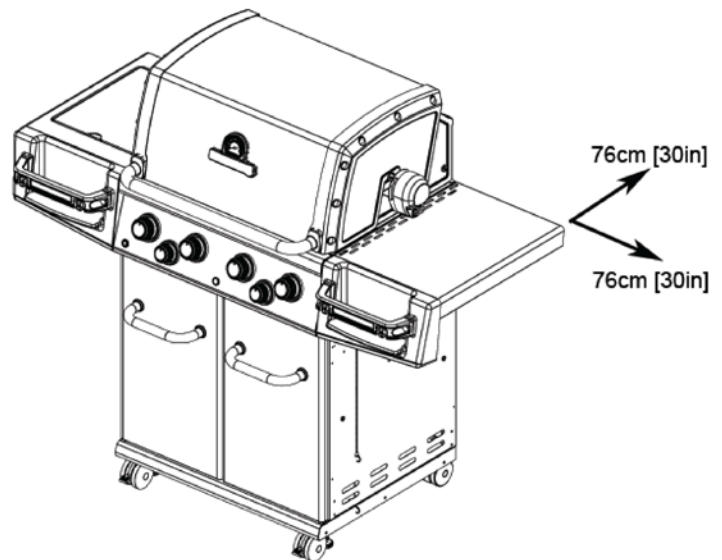
1. En U.S.A., este artefacto debe instalarse de acuerdo con los códigos locales y con los códigos nacionales pertinentes:

**ANSI Z223.1/NFPA 54 - Última edición del Código nacional del gas combustible y los códigos locales más recientes, según corresponda.**

2. En Canadá, este artefacto debe instalarse de acuerdo con los códigos locales y con las normas CSA pertinentes:

**CSA-B149.1 Código de instalación de gas natural y propano**

3. El artefacto debe ubicarse lejos de superficies combustibles, alejado de estas como mínimo 76 cm / 30 pulgadas por cada lado, y 76 cm / 30 pulgadas de la parte posterior.



4. **No utilice** este artefacto dentro de ninguna construcción techada ni debajo de follaje.
5. Este artefacto es para **USO EXCLUSIVO EN EXTERIORES**, NO lo utilice en garajes, galpones, balcones ni en ningún otro tipo de área cerrada.
6. **NO** limite el flujo de aire que circula alrededor del artefacto.
7. Mantenga el área que rodea al artefacto libre de materiales combustibles, gasolina, y de cualquier otro líquido o vapor inflamable.
8. Este artefacto no está diseñado para ser instalado en vehículos recreativos ni en embarcaciones.
9. Mantenga la(s) entrada(s) de ventilación del alojamiento del cilindro despejadas y libres de desechos.

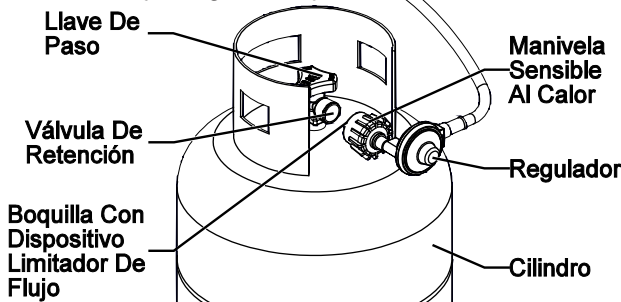
## COLOCACIÓN DEL CILINDRO DE GAS LP

Las instrucciones que aparecen a continuación son únicamente para modelos LP. Los cilindros de gas LP deben instalarse de acuerdo con las instrucciones de montaje utilizando el retén suministrado. No almacene los cilindros de repuesto debajo ni cerca de este artefacto. Todos los cilindros utilizados deben ser compatibles con los medios de retención suministrados para el cilindro.

# CILINDRO DE GAS LP

## ACOPLAMIENTO DE CIERRE RÁPIDO QCC®-1

1. Todos los modelos OMC están diseñados para utilizarse con cilindros de gas LP equipados con el sistema de Acoplamiento de cierre rápido QCC®-1.
2. El sistema QCC®-1 incorpora las características de seguridad que exige el Instituto Nacional de Normalización de Estados Unidos (ANSI, por sus siglas en inglés) y el Comité Regulador de Normas de Canadá.
  - El gas no circulará hasta que la conexión establecida no sea correcta.
  - Un elemento térmico suspenderá el flujo de gas entre 240° y 300° F.
  - Siempre que esté activado, un Dispositivo limitador de flujo limitará el flujo de gas a 10 pies cúbicos / hora.



3. El cilindro de gas LP no viene incluido con la Parrilla a gas. Asegúrese de comprar uno con la válvula QCC®. Puede reconocer la válvula verificando las roscas externas en el puerto de entrada de la válvula. Puede adquirir los cilindros equipados con QCC® a través de su proveedor de la parrilla a gas.

**NOTA:** Cualquier intento de conectar el regulador, utilizando adaptadores o cualquier otro medio, a otra válvula podría causar daños, incendios, o heridas y podría inutilizar las importantes características de seguridad del sistema QCC®-1.

## ESPECIFICACIÓN

1. Todos los cilindros de gas LP que se utilizan con este artefacto deben estar contruidos e identificados de acuerdo con las Especificaciones para cilindros de gas LP del Departamento de Transportación (DOT, por sus siglas en inglés), o la Norma Nacional de Canadá, CAN/CSA-B339, Cilindros, esferas y tubos para transportación de productos peligrosos; y la Comisión, según corresponda.
2. El cilindro de gas LP que se utiliza con este artefacto no debe sobrepasar las 20 libras (9 kg) de capacidad. Aproximadamente 18 pulgadas (46 cm) de alto y 12 pulgadas (31 cm) de diámetro.
3. Todos los cilindros de gas LP que se utilizan con este artefacto deben revisarse cada vez que se llenen y deben ser revaluados en un punto de suministro autorizado una vez cumplida su fecha de vencimiento (10 años), según lo dispuesto por los códigos del DOT (EE.UU.) y por la Comisión Canadiense de Transportación (Canadá) para cilindros de gas LP.
4. Todos los cilindros que se utilicen con este artefacto deben suministrarse con una válvula de cierre terminada en una salida de válvula No. 510, según las especificaciones de las Normas de conexión de entrada y salida para válvulas de cilindros de gas comprimido ANSI/CGA-V-1-1977 (EE.UU.) y CSA B96 (Canadá).

5. El sistema de suministro del cilindro debe estar acondicionado para recuperación de vapor.
6. El cilindro debe incluir un collar para proteger la válvula del cilindro.
7. El cilindro debe instalarse de acuerdo con las instrucciones de montaje.
8. Nunca llene el cilindro más allá del 80% de su capacidad. Podría producirse un incendio que podría provocar muertes o heridas graves.
9. La válvula del cilindro debe incluir un dispositivo de alivio de seguridad directamente conectado al espacio de los vapores del cilindro.

## MANEJO

1. Las reglamentaciones gubernamentales prohíben el envío de cilindros de gas LP llenos. Usted debe llevar su cilindro nuevo a un vendedor de gas LP para llenarlo.
2. Los cilindros de gas LP llenos están bajo una presión muy alta. Manéjelos siempre con cuidado y transpórtelos en posición vertical. Proteja la válvula contra accidentes que puedan dañarla.
3. No incline el cilindro de gas LP mientras lo conecta al regulador. Asegure firmemente el cilindro para su transportación, utilización y almacenamiento.
4. Si se inclina el cilindro después de conectarlo al regulador, suspenda el suministro de gas, desconecte el regulador y sométalo a revisión antes de volver a utilizarlo.

## ALMACENAMIENTO

1. Almacene el cilindro de gas LP en el exterior en un lugar bien ventilado.
2. No almacene el cilindro de gas LP directamente al sol, ni cerca de una fuente de calor o combustión.
3. Si desea almacenar la parrilla bajo techo, desconecte y retire primero el cilindro de gas LP. Los cilindros desconectados deben estar cubiertos con una tapa que los proteja del polvo y no se deben almacenar en edificios, garajes ni en ninguna otra área cerrada.
4. Manténgalos fuera del alcance de los niños.
5. Cuando el cilindro de gas LP esté conectado a la parrilla, tanto la parrilla como el cilindro de gas deben almacenarse en el exterior en un lugar bien ventilado.

## FUNCIONAMIENTO

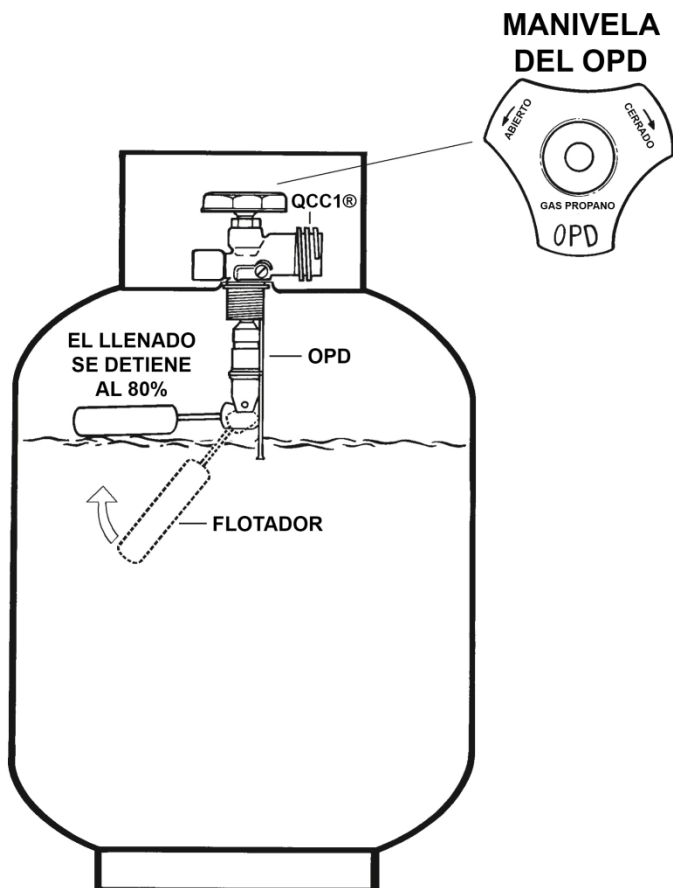
1. Nunca conecte su parrilla a gas a un cilindro de gas LP sin el regulador suministrado con el artefacto, y **NUNCA LA CONECTE A UNA FUENTE DE GAS SIN REGULADOR.** Debe emplearse el regulador suministrado con la parrilla.
2. **Siempre compruebe que no haya fugas en la conexión entre el cilindro de gas LP y el regulador cuando conecte el cilindro de gas LP a la parrilla. Ver “Prueba de fugas”.** (Página 29)
3. **No** utilice la parrilla si hay olor a gas LP. Apague todas las llamas y determine la fuente de la que proviene el gas LP antes de continuar. **No encienda** la parrilla hasta que haya detectado y sellado la fuga de gas LP.
4. **Siempre cierre** la válvula del cilindro de gas LP cuando no esté usando la parrilla.

## DISPOSITIVO DE PREVENCIÓN CONTRA LLENADO EXCESIVO

1. La norma para artefactos a gas para exteriores, ANSI Z21.58/ CAN/CGA-1.6, exige que los artefactos sean usados con cilindros equipados con un Dispositivo de prevención contra llenado excesivo (OPD, por sus siglas en inglés).
2. El OPD está diseñado para reducir el potencial de llenado excesivo de los cilindros de propano, con lo cual se reduce la posibilidad de que la válvula de alivio despidan propano crudo. El OPD permite purgar/llenar el cilindro más lentamente. Algunas estaciones de suministro les han informado a los consumidores que estos cilindros están "defectuosos". No se trata de un defecto. Puede que algunas estaciones de suministro de propano no estén al tanto de este dispositivo y de su efecto en el proceso de purgado/llenado.
3. Los nuevos OPD que están saliendo al mercado tienen una tecnología que permite salidas de BTU mucho mayores, lo cual reduce el tiempo que demora purgar un cilindro.

## IDENTIFICACIÓN

Para identificar estos cilindros, se ha estandarizado la manivela del OPD con la forma que se muestra.



1. Todos los modelos están equipados con una manguera y un regulador con un Acoplamiento de cierre rápido QCC®-1.
2. El acoplamiento QCC®-1 contiene un Dispositivo limitador de flujo que limitará el flujo de gas si se presentara una fuga entre el regulador y la válvula del artefacto. Este dispositivo se activará si se abre la válvula del cilindro mientras están abiertas las válvulas del artefacto. **Asegúrese de que las válvulas del artefacto estén cerradas antes de abrir la válvula del cilindro para evitar que se active por accidente.**
3. El acoplamiento QCC® incorpora una manivela sensible al calor que hará que se cierre el módulo trasero de control de la válvula del cilindro QCC® cuando se exponga a temperaturas entre los 240° y 300°F. Cuando ocurra esto, no intente volver a conectar la manivela. Saque el conjunto de la manguera/regulador y reemplácelo por uno nuevo.
4. El regulador de presión está calibrado para 11 pulgadas de columna de agua y únicamente debe utilizarse con gas LP. Los acoples entre manguera y manguera cumplen con la Norma CGA CAN 1.83. No se debe realizar ninguna modificación ni sustitución.
5. Proteja la manguera contra el goteo de grasa y no permita que haga contacto con ninguna superficie caliente, incluyendo la base fundida de la parrilla.
6. Inspeccione el sello de la válvula del cilindro QCC® cuando reemplace el cilindro de gas LP o una vez al año, lo que ocurra con más frecuencia. Reemplace el sello si hay algún indicio de rajaduras, marcas o abrasión.
7. Inspeccione previamente la manguera cada vez que vaya a utilizar la parrilla. Si la manguera está partida, cortada, desgastada o dañada de cualquier otro modo, no debe utilizar la parrilla.
8. Para reparaciones o reemplazos del conjunto manguera/regulador, póngase en contacto con nuestro servicio de atención al cliente en el 1-800-265-2150 o visite el sitio de Internet [info@omcbbq.com](mailto:info@omcbbq.com).

## CONEXIÓN

1. Asegúrese de que la válvula del cilindro y las válvulas del artefacto estén cerradas.
2. Coloque correctamente el cilindro de gas LP lleno en el tanque LP.
3. Centre el pasador de la válvula del cilindro y sujételo en su lugar. Con la otra mano, haga girar la manivela en sentido horario hasta que no pueda seguir girándola. No utilice herramientas. Ajústela con la mano únicamente. Cuando establezca la conexión, sostenga el regulador en paralelo con la válvula del cilindro, para que no se crucen las roscas de la conexión.
4. Compruebe que no haya fugas en las conexiones. Ver "Prueba de fugas". (Página 29)
5. Consulte las instrucciones de encendido. **Para evitar que se active el Dispositivo limitador de flujo cuando encienda la parrilla, abra lentamente la válvula del cilindro con las válvulas del artefacto cerradas.** Si el Dispositivo limitador de flujo se activa por accidente, cierre la válvula del cilindro y las válvulas del artefacto, espere 10 segundos para permitir que el dispositivo se reajuste, abra lentamente la válvula del cilindro, y luego abra la válvula del artefacto.

## DESCONEXIÓN

Siempre cierre la válvula del cilindro LP y retire la tuerca de acople antes de mover el cilindro de la posición de funcionamiento especificada.

# PRUEBA DE FUGAS

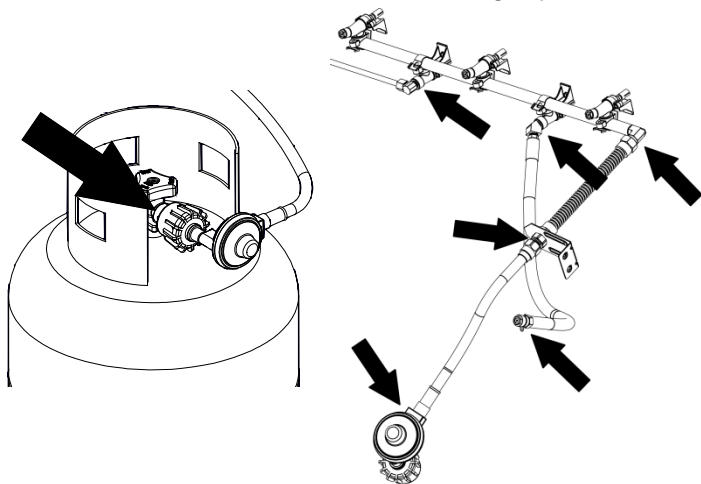
Todas las conexiones de fábrica se prueban rigurosamente para detectar fugas de gas. Sin embargo, durante su transporte y manejo puede aflojarse algún acople.

## COMO PRECAUCIÓN DE SEGURIDAD:

- Compruebe todos los acoples para detectar si hay fugas antes de utilizar su parrilla a gas.
- Compruebe la válvula del cilindro para detectar si hay alguna fuga cada vez que llene el cilindro.
- Compruebe si hay alguna fuga cada vez que conecte un acople de gas.
- No fume en ningún momento mientras realiza la comprobación.
- Nunca compruebe si hay una fuga con un fósforo encendido o una llama expuesta.
- Realice la prueba de fugas en un exterior.

## PARA COMPROBAR SI HAY FUGAS:

1. Apague cualquier llama expuesta o cigarrillo que haya en el área.
2. Asegúrese de que la válvula del cilindro y las válvulas de la parrilla a gas estén cerradas
3. Conecte el cilindro de gas LP. Ver "Manguera y regulador".
4. Prepare una solución jabonosa con una parte de agua y otra parte de detergente líquido.
5. Con un cilindro de gas lleno, abra lentamente el cilindro.
6. Unte cada conexión con la solución de agua jabonosa.



7. Las fugas pueden identificarse mediante la formación de burbujas en el área de la fuga.
8. Si se detecta una fuga, cierre la válvula de cierre del cilindro de gas, ajuste la conexión y vuelva a realizar la comprobación.
9. Si la fuga continúa, contacte a su proveedor de la parrilla de gas para obtener ayuda. No intente utilizar la parrilla si hay una fuga.

## Si su parrilla a gas está equipada con un quemador lateral o posterior:

1. Siga los pasos anteriores del 1 y 5
2. Coloque la yema del dedo sobre la apertura del orificio en el extremo de la manguera.
3. Haga girar el control "LATERAL"/"POSTERIOR" hasta "ALTA".
4. Unte solución jabonosa en cada conexión entre el orificio y la válvula de control.
5. Haga girar el control "LATERAL"/"POSTERIOR" hasta "APAGADO".

# TUBOS VENTURI

Siempre mantenga limpios los tubos Venturi. Las obstrucciones en los tubos Venturi provocadas por arañas, insectos y nidos pueden desencadenar retornos de llamas. De hecho, aunque la parrilla a gas pueda encender todavía, el gas retenido puede encenderse y desatar llamas alrededor de los tubos Venturi en el panel de control o en el quemador lateral.



TUBO VENTURI TELARAÑA QUEMADOR DEL TUBO

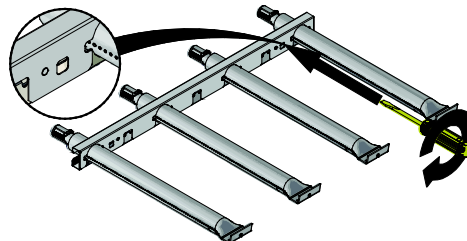
Si se produce un retorno de llamas, corte el suministro de la fuente de gas inmediatamente.

Revise y limpie los tubos Venturi (quemador principal, quemador lateral, quemador posterior) si se presenta cualquiera de las siguientes señales:

1. Siente olor a gas.
2. Su parrilla a gas no gana temperatura.
3. Su parrilla se calienta de manera irregular.
4. Los quemadores emiten chasquidos.

## INSPECCIÓN Y LIMPIEZA DE LOS TUBOS VENTURI

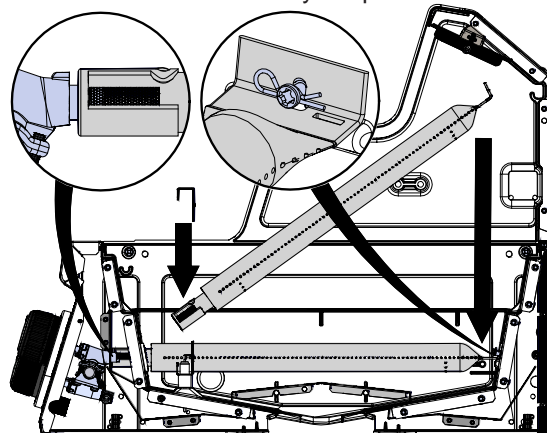
1. Corte el suministro de gas cerrando la válvula del cilindro de propano.
2. Cuando se enfríe la parrilla, saque los sujetadores del quemador y la parte superior de la caja recolectora. Saque los quemadores de la armazón de la parrilla a gas.



3. Limpie los tubos Venturi con un limpiador de tubos o con una herramienta de limpieza Venturi (Accesorio #77310 o #18270).



4. Vuelva a bajar el quemador hasta su ubicación en la caja de la parrilla a gas, asegurándose de que los tubos Venturi estén correctamente alineados y acoplados en los orificios.

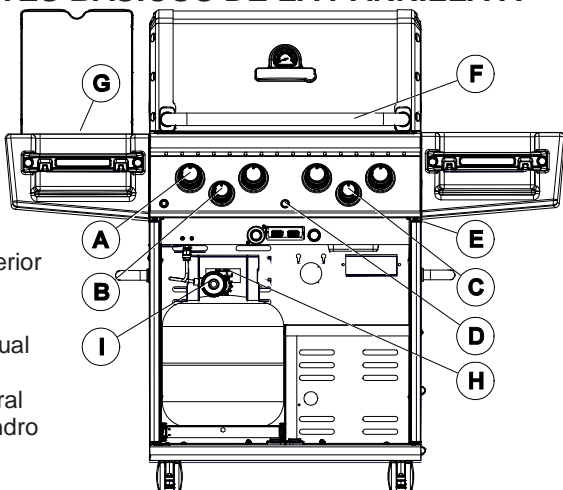


5. Asegure los quemadores con sus sujetadores correspondientes. Vuelva a colocar en su lugar la cubierta de la caja recolectora.

# ENCENDIDO

## COMPONENTES BÁSICOS DE LA PARRILLA A GAS

- A. Controles del quemador principal
- B. Control del quemador lateral
- C. Controles del quemador posterior
- D. Encendedor
- E. Orificio para encendido manual
- F. Mango
- G. Quemador lateral
- H. Válvula del cilindro
- I. Regulador



## INSTRUCCIONES DE ENCENDIDO

1. El artefacto debe armarse de acuerdo con las instrucciones de montaje.
2. Asegúrese de que el cilindro LP esté lleno y correctamente conectado al regulador. Ver: "Manguera y regulador". (Página 28)
3. Asegúrese de que no haya fugas de gas en el sistema de suministro de gas. Ver: "Prueba de fugas" (Página 29)
4. Asegúrese de que los tubos Venturi estén correctamente colocados sobre los orificios de la válvula de gas. (Ver diagrama de Venturi, página 29)
5. Asegúrese de que los cables de encendido del Quemador principal y del Quemador lateral estén conectados.
6. Revise cuidadosamente todas las instrucciones que aparecen en la placa de información que viene fijada a la parrilla a gas.
7. **ADVERTENCIA: Abra siempre la cubierta antes de encender la parrilla y no se incline sobre esta mientras la enciende.**
8. Lleve las perillas de control hasta "APAGADO" y abra el suministro de gas.

## ENCENDIDO DEL QUEMADOR PRINCIPAL:

- a. Levante la cubierta de la parrilla y déjela abierta hasta que encienda la parrilla.
- b. Compruebe que se ha instalado la batería en el encendedor electrónico.
- c. Presione y haga girar una perilla de control del quemador principal hacia "ALTA".
- d. Mantenga presionado el botón del encendedor o utilice un fósforo.
- e. El quemador debe encenderse en unos 5 segundos; si no se enciende en ese período de tiempo, cierre el suministro de la fuente de gas inmediatamente. Para encender el quemador con un fósforo avance hasta el paso f.
- f. Inserte un fósforo encendido a través del agujero de encendido situado en la parte inferior derecha de la caja cocción.
- g. Presione y haga girar a la derecha la perilla de control del quemador principal hacia "ALTA".
- h. El quemador debe encenderse en unos 5 segundos.
- i. Cuando se haya encendido el primer quemador, presione y haga girar la perilla adyacente de control del quemador principal hasta "ALTA" y luego vuelva a repetir a operación con los otros quemadores; estos quemadores deben encenderse automáticamente sin el encendedor .

Nota: Si hay viento, encienda cada quemador individualmente. Utilice el portafósforos para hacer descender un fósforo encendido para encender cada quemador.

## ENCENDIDO DEL QUEMADOR LATERAL:

- a. Presione y haga girar la perilla de control del quemador lateral hacia "ALTA".
- b. Mantenga presionado el botón del encendedor.
- c. El quemador debe encenderse en unos 5 segundos. **Para encender el quemador con un fósforo avance hasta el paso d.**
- d. Acerque el fósforo encendido a los puertos del quemador.
- e. Presione hacia adentro la perilla de control del quemador lateral y hágala girar hacia "ALTA".
- f. El quemador debe encenderse en unos 5 segundos.

Nota: Las ollas que se coloquen en el quemador lateral no deben sobrepasar las 9 pulgadas (23 cm) de diámetro ni las 15 libras (7 kg) de peso.

## ENCENDIDO DEL QUEMADOR POSTERIOR PARA ROSTIZAR:

Advertencia: no haga funcionar el quemador principal y el quemador posterior al mismo tiempo.

- a. El quemador posterior debe estar en su lugar antes de accionar la perilla de control.
- b. **SAQUE EL ESTANTE PARA CALENTAR.**
- c. Presione y haga girar la perilla de control del quemador posterior hacia "ALTA".
- d. Mantenga presionado el botón del encendedor.
- e. El quemador debe encenderse en unos 5 segundos. Para encender el quemador con un fósforo avance hasta el paso f.
- f. Acerque el fósforo encendido a los puertos del quemador.
- g. Presione hacia adentro la perilla de control del quemador posterior y hágala girar hacia "ALTA".
- h. El quemador debe encenderse en unos 5 segundos.

## CUIDADO - Revise su parrilla a gas antes de encenderla.

Todos los puertos de los quemadores deben mostrar una llama de 2,5 cm / 1 pulgada en "ALTA".



**Si se presenta cualquiera de los siguientes síntomas, significa que probablemente hay un atasco en los tubos Venturi. Cierre inmediatamente el suministro de gas y limpie los tubos Venturi. Ver "Tubos Venturi". (Página 29)**

1. **Siente olor a gas.**
2. **Se produce un retorno de llamas.**
3. **Su parrilla se calienta de manera irregular.**
4. **Los quemadores emiten chasquidos.**

## SI EL QUEMADOR NO SE ENCIENDE:

1. Presione y haga girar la perilla de control hacia "APAGADO". Espere 5 minutos y vuelva a intentarlo con la perilla de control en "MEDIA".
2. Si no se enciende ningún quemador, vea el "Diagnóstico de problemas" en la página 35. Si el problema persiste, no intente utilizar el artefacto; póngase en contacto con OMC, con su proveedor o con un centro de servicios autorizado.

## APAGADO:

1. Cierre la válvula del cilindro.
2. Gire las perillas de control hacia "APAGADO".

**Uso por primera vez:** Antes de cocinar por primera vez en su parrilla a gas, enciéndala para deshacerse de cualquier olor o materia extraña de la siguiente forma:

1. Con las rejillas de cocción colocadas en su lugar, encienda la parrilla a gas siguiendo las instrucciones de encendido (ver página 42) y déjela funcionar en "ALTA" entre 10 y 15 minutos. A continuación, cierre el suministro de la fuente de gas y haga girar todas las perillas de control a la posición de "APAGADO".
2. Cuando la parrilla se haya enfriado, acondicione bien las rejillas de cocción rociándolas o untándolas con aceite de oliva o aceite vegetal. Asegúrese de que toda la superficie esté abundantemente cubierta incluyendo las esquinas. En el caso de las rejillas de cocción de hierro fundido, el acondicionamiento debe realizarse cada vez que vaya a usar la parrilla.
3. Ya está todo listo para asar. Proceda a realizar el "Pre calentamiento".

**Pre calentamiento:** Precaliente la parrilla a gas en MEDIA/ALTA con la cubierta cerrada durante diez minutos. Reduzca la temperatura hasta un punto adecuado para lo que vaya a asar. Raspe firmemente pero con cuidado las rejillas con un cepillo de alambre para rejillas. A continuación, unte o rocíe las rejillas con aceite vegetal o con aceite de oliva para evitar que los alimentos se peguen.

**Posición de la cubierta:** La posición de la cubierta durante la cocción es una cuestión de preferencia personal, pero la parrilla a gas cocina más rápido, consume menos gas y controla mejor la temperatura cuando la cubierta está cerrada. Mantener la cubierta cerrada también le infunde a la carne asada directamente sobre la rejilla un sabor más ahumado, y es esencial para asados ahumados o por convección.

**Sistemas de vaporización:** Su parrilla a gas está diseñada para utilizarse con el sistema de vaporización Flav-R-Wave™ suministrado con la misma. No utilice rocas de lava, briquetas cerámicas ni ningún otro sistema de vaporización que no sea el que se suministró con la parrilla a gas.

## TEMPERATURAS DE COCCIÓN

**Temperatura Alta:** Produce temperaturas en la rejilla de cocción de aproximadamente 600 - 650°F (320 - 340° C). Utilice esta temperatura únicamente para calentamiento rápido o para quemar los residuos de alimentos de las rejillas de cocción cuando haya terminado de cocinar. Esta temperatura también es ideal para dorar los filetes antes de reducir la temperatura. En raras ocasiones, por no decir que nunca, se utiliza la temperatura ALTA para cocciones prolongadas.

**Media/Alta:** Produce temperaturas en la rejilla de cocción de aproximadamente 550°F (290°C). Utilice esta temperatura para calentar y para asar filetes y chuletas.

**Media:** Produce temperaturas en el interior de la parrilla a gas de aproximadamente 450° F (230°C) con la cubierta cerrada. Utilice esta temperatura para la mayoría de sus asados a la parrilla de pollo, hamburguesas y verduras, y también para asar y hornear.

**Baja:** Produce temperaturas dentro de la parrilla a gas de aproximadamente 310-350°F (155-175°C). Utilice esta temperatura para todos los ahumados, para grandes trozos de carne, pescados delicados y para masas y pastelillos, como por ejemplo para quesadillas.

**Estas temperaturas son solo aproximadas y varían de acuerdo con la temperatura externa y con la cantidad de viento.**

## ASADO DIRECTO

El método de asado directo consiste en cocinar la comida en las rejillas directamente sobre un quemador encendido. El asado directo es el método más popular para cocinar alimentos de una sola pieza, como filetes, chuletas, pescado, hamburguesas, brochetas y verduras.

1. Prepare los alimentos de antemano para evitar demoras y problemas de tiempo. Si utiliza adobo o especias, debe añadirlos a la carne antes de colocarla en la rejilla de cocción. Si va a adobar con salsas, añádalas en los últimos 2-4 minutos del asado para evitar que se quemen.
2. Organice el área alrededor de la parrilla a gas de manera tal que tenga a mano pinches, pinzas, guantes para horno, salsas y condimentos, a fin de poder permanecer junto a la parrilla mientras está cocinando.
3. Antes de comenzar a asar, deje que la carne tome la temperatura ambiente. Elimine el exceso de grasa de la carne para minimizar las llamaradas que se producen cuando esta comienza a gotear.
4. Precaliente la parrilla a gas hasta la temperatura deseada con la cubierta cerrada.
5. Cubra las rejillas con aceite vegetal o de oliva para evitar que los alimentos se peguen a las rejillas.
6. Evite añadir sal cuando cocine carnes en la parrilla a gas. La carne se mantendrá más jugosa si añade la sal después de cocinada.
7. Para evitar que los filetes "se resequen", utilice pinzas en lugar de un tenedor y comience en temperatura "MEDIA/ALTA" para dorar la carne y sellar los jugos dentro de esta. Reduzca la temperatura y extienda el tiempo de cocción cuando ase trozos de carne más gruesos.
8. Aprenda a probar cuándo la carne está lista por el tiempo transcurrido y por su consistencia. La carne se vuelve más firme a medida que se cocina. Cuando la carne está blanda, está cruda. Cuando está firme, está bien cocida.
9. Siga la guía para el asado perfecto de filetes con la mayoría de las carnes, pescados, aves y verduras.

### GUÍA PARA ASAR EL FILETE PERFECTO

COLOQUE EL FILETE EN ÁNGULO SOBRE LA PARRILLA CALIENTE.

DELO VUELTA COMO SE INDICA A CONTINUACIÓN.

VUELVA A DAR VUELTA Y A ROTAR EL FILETE.

VUELVA A DAR VUELTA EL FILETE UNA VEZ MÁS.

Espesor de la carne		Ajuste de Calor	Tiempo por cada lado				Tiempo total
			A	B	C	D	
1½"	1"		A	B	C	D	
Poco hecho		Alto	1¾	1¾	1¾	1¾	7 minutos
Jugoso		Medio/Alto	2	2	2	2	8 minutos
Jugoso		Medio/Alto	2¼	2¼	2¼	2¼	9 minutos
Mediano		Mediano	2½	2½	2½	2½	10 minutos
Bien hecho		Mediano	3	3	3	3	12 minutos

# TÉCNICAS DE COCCIÓN

GUÍA DE ASADO DIRECTO				
	1º DE ESPESOR	AJUSTE DE CALOR	TIEMPO POR CADA LADO	MINUTOS TOTALES
POLLO	MEDIO / BIEN HECHO	MEDIA / BAJA	4 / 4 / 4 / 4	16
ALAS DE POLLO	MEDIO / BIEN HECHO	MEDIA / BAJA	5 / 5 / 5 / 5	20
HAMBURGUESA	MEDIO	MEDIA / BAJA	3 / 3 / 3 / 3	12
HAMBURGUESA DE 3/4 PULG. CONGELADAS	MEDIO	MEDIA / BAJA	3 / 3 / 3 / 3	12
FILETE DE PESCADO	MEDIO	MEDIA	2 / 2 / 2 / 2	8 - 10
COLAS DE LANGOSTA CORTADAS	MEDIO	MEDIA	4 / 4 / 4 / 4	16 - 20

**UTILICE LA MISMA TÉCNICA DE LA GUÍA DE ASADO PERFECTO DE FILETES. (PAGE 31).**

## COCCIÓN POR CONVECCIÓN INDIRECTA

Este método es ideal para cocinar trozos grandes de carne como asados o aves. Los alimentos se cocinan con el aire caliente que circula a su alrededor.

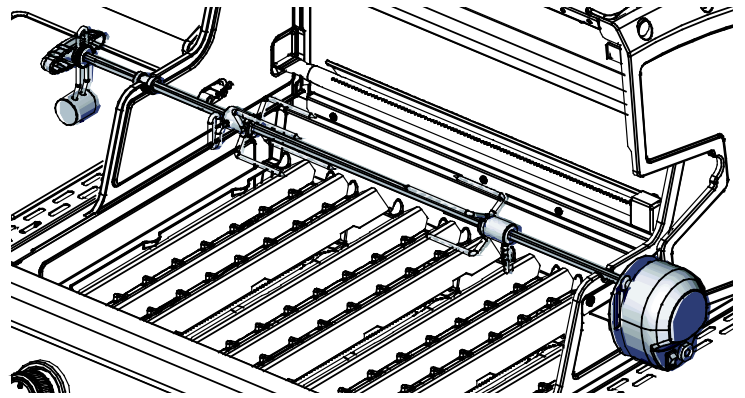
1. Para la mayoría de las aplicaciones de cocción por convección y sin rostizador, se recomienda utilizar una bandeja colectora para que el goteo caiga dentro de ella. Coloque la bandeja colectora sobre el Flav-R-Wave, debajo de los alimentos hacia el centro. Coloque entre media y una pulgada de agua en la bandeja colectora. También puede añadir jugo de frutas, vino o adobo para realzar el sabor. No deje que la bandeja colectora se quede sin líquido.
2. La cocción por convección sin un rostizador es mejor con la cubierta cerrada y temperatura baja. Todos los quemadores pueden ajustarse en baja o los quemadores externos pueden ajustarse a media y el/los quemador(es) del centro pueden apagarse. Apagar el quemador central evitará que ardan los jugos de la bandeja colectora.
3. Antes de colocar la carne en la parrilla a gas, recubra la carne con aceite vegetal. Así logrará dorar mejor la parte externa de la carne.
4. Cuando cocine sin bandeja colectora (algo que no es recomendable) debe poner mucha atención para evitar el riesgo de que se incendie la grasa.
5. Apague la parrilla a gas y deje que se enfríe antes de sacar la bandeja colectora. La grasa que gotea es muy inflamable y debe manejarse con cuidado para evitar heridas.
6. Para cocinar asados y carne de ave por convección sin un rostizador, coloque la carne en una parrilla asadora directamente sobre las rejillas.

GUÍA DE COCINA PARA CONVECCIÓN INDIRECTA Y ROSTIZADO			
ASADO DE RES	3 - 6 Lb.	MEDIA / BAJA	2 - 4 HRS
ASADO DE RES	6 - 10 Lb.	MEDIA / BAJA	3 - 5 HRS
ASADO DE CERDO	2 - 5 Lb.	MEDIA / BAJA	2 - 4 HRS
ASADO DE CERDO	6 - 10 Lb.	MEDIA / BAJA	3 - 5 HRS
PAVO O POLLO	2 - 5 Lb.	MEDIA / BAJA	2 - 4 HRS
PAVO O POLLO	5 - 10 Lb.	MEDIA / BAJA	3 - 5 HRS

**CUANDO UTILICE UN QUEMADOR PARA ROSTIZAR, SELECCIONE LA TEMPERATURA MEDIA/ALTA**

## ROSTIZADO

Siga los pasos de cocción por convección indirecta que aparecen anteriormente.



1. El rostizador tiene capacidad para hasta 7 kg (15 libras) de carne con el factor limitante del espacio necesario para hacerla girar. Para obtener los mejores resultados, la carne debe centrarse en la línea central de la barra para eliminar desbalances.
2. El rostizador puede utilizarse con las rejillas de cocción en su lugar si el espacio lo permite.
3. Sujete firmemente la carne a la barra antes de colocarla en la parrilla a gas. Al asar aves, asegure bien las alas y los muslos.

## QUEMADOR POSTERIOR PARA ROSTIZAR

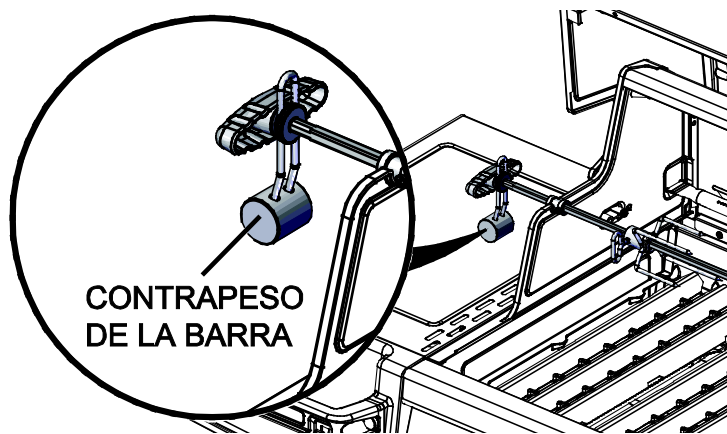
1. Algunos modelos vienen con un quemador posterior para rostizar. El método de rostizado con un quemador posterior es el mejor para cocinar asados y carne de aves. La fuente de calor queda situada detrás de la carne, con lo cual no hay riesgo de llamaradas causadas por el goteo de la grasa. Un plato o bandeja colectora situada debajo de la barra servirá para coleccionar los jugos para adobar o para preparar una salsa.
2. El quemador posterior cargado por resorte puede sacarse fácilmente cuando no se está usando.
3. Para saber cómo operar su quemador posterior, vea "Encendido del quemador posterior". (Página 30)

GUÍA DE TEMPERATURA DE LAS CARNES			
	POCO HECHA	MEDIA	BIEN HECHA
RES / CORDERO / TERNERA	130°F / 55°C	146°F / 63°C	160°F / 70°C
CERDO		150°F / 65°C	170°F / 77°C
AVES			170°F / 77°C
HAMBURGUESA			160°F / 70°C

**PARA OBTENER LOS MEJORES RESULTADOS, UTILICE UN TERMÓMETRO PARA CARNES**



# TÉCNICAS DE COCCIÓN

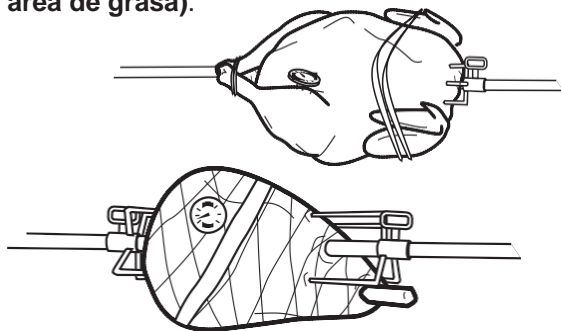


## CONTRAPESO DE LA BARRA

1. Afloje el mango de la barra para que el contrapeso pueda girar libremente.
2. Coloque la barra rostizadora en las ranuras de caja de la parrilla a gas. Deje que el lado más pesado de la carne rote hacia abajo.
3. Ajuste el contrapeso a la parte superior de la barra, en el lugar opuesto al lado más pesado de la carne.
4. Ajuste el mango de la barra. Verifique periódicamente que la carne rote suavemente mientras se cocina. Ajuste el contrapeso de ser necesario. **ATENCIÓN: Utilice guantes para horno cuando ajuste el contrapeso.**

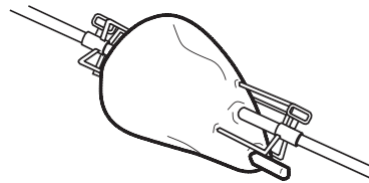
## CÓMO UTILIZAR UN TERMÓMETRO DE SONDA

1. La forma precisa de determinar cuándo un trozo de carne grande está hecho es utilizar un termómetro de sonda. Inserte el termómetro inclinado de manera tal que la punta resistente de metal llegue a hacer contacto con el centro de la parte más gruesa de la carne. **Tenga cuidado de que no toque ni la barra ni el hueso, y de que la punta no esté en contacto con la grasa (sentirá mucho menos resistencia cuando sondee un área de grasa).**



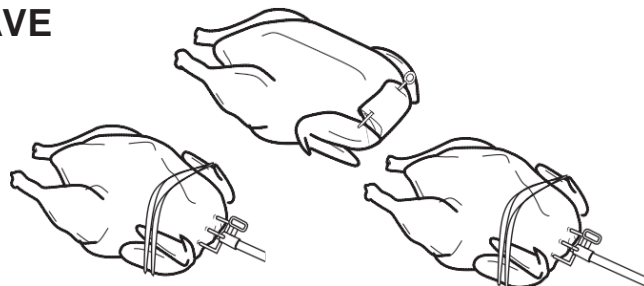
2. Cuando el termómetro muestre la temperatura deseada, la carne está lista. Añada sus salsas durante los últimos minutos de cocción y deje que la carne repose unos 15 minutos para que gane firmeza. Corte y sirva.
- Carne de ave: inserte la punta del termómetro en la parte más gruesa del muslo cerca del cuerpo.
  - Jamón o asados: inserte la punta del termómetro en el centro de la sección más pesada de la carne.

## CÓMO USAR UNA BARRA - PIERNA DE CORDERO



1. Corte 3 pulgadas del hueso en el extremo pequeño de la pierna.
2. Deje carne alrededor del hueso para formar un pliegue.
3. Coloque un pinche en la barra.
4. Doble el pliegue hacia arriba y pase la barra a través del mismo y de la pierna.
5. Coloque el segundo pinche en la barra y clave los pinches en ambos extremos de la pierna. Verifique que quede balanceada. Ajuste los tornillos.

## CÓMO USAR UNA BARRA - CARNE DE AVE



1. Con la pechuga hacia abajo, tire de la piel hacia arriba sobre la cavidad.
2. Gire los extremos inferiores de la piel, coloque el pinche en la piel de la parte de atrás.
3. Enrolle el hilo alrededor del pinche y átelo.
4. Gire la pechuga hacia arriba, ate o pinche las alas al cuerpo.
5. Coloque un pinche en la barra. Inserte la barra en la piel del cuello, paralela a la columna vertebral, haciendo que salga por encima de la cola.
6. Coloque el segundo pinche en la barra y clave los pinches en la pechuga y la cola. Verifique que quede balanceada. Ajuste los tornillos.
7. Ate la cola a la barra con hilo. Cruce los muslos y átelos a la cola.

## TRES POLLOS EN UNA BARRA



1. Ate o pinche las alas al cuerpo.
2. Coloque un pinche en la barra. Coloque los pollos en la barra como se muestra en el diagrama anterior.
3. Enrolle el hilo alrededor de las colas y los muslos y átelo a la barra.
4. Coloque el segundo pinche en la barra y clave los pinches en los pollos. Ajuste los tornillos.

# MANTENIMIENTO

## MANTENIMIENTO REGULAR

Para asegurar un rendimiento y seguridad óptimos, hay que inspeccionar y limpiar los siguientes componentes como sea necesario, antes de usar su parrilla a gas.

### REJILLAS DE COCCIÓN - FUNDICIÓN DE HIERRO, FUNDICIÓN DE ACERO INOXIDABLE Y VARILLAS GRUESAS DE ACERO INOXIDABLE

Las rejillas de cocción V profunda BROIL KING® de fundición de hierro y de fundición de acero inoxidable brindan una retención de calor y un rendimiento de cocción insuperables.

Las rejillas de cocción de varillas gruesas de acero inoxidable BROIL KING® brindan la máxima durabilidad y buena retención de calor con buen rendimiento de cocción.

Las rejillas de cocción de hierro fundido BROIL KING® están cubiertas con un acabado de esmalte de porcelana para protegerlas y reducir la tendencia de los alimentos a pegarse a ellas. El uso y el cuidado periódico mejoran el rendimiento y la duración de las rejillas. Para un rendimiento óptimo:

- Antes de usarlas por primera vez y luego de mucho tiempo de almacenamiento, lave las rejillas con un detergente suave y agua, y luego enjuáguelas y séquelas con una toalla de papel; nunca seque las rejillas al aire ni utilice un lavavajillas
- Inmediatamente después de lavarlas, acondicione las rejillas de cocción recubriéndolas en aceite de cocina orgánico prensado en frío y con un alto grado de humo, encienda la parrilla y hágala funcionar en Med/Low durante 30 minutos. Aceites de cocina recomendados:
  - Aceite de aguacate – punto de humo (260C/500F)
  - Aceite de salvado de arroz – punto de humo (255C/490F)
  - Aceite de canola – punto de humo (204C/400F)
- Antes y después de cada uso, limpie las rejillas con un cepillo de cerdas de acero inoxidable de buena calidad (artículos # 65225, 64014, 64034) y recúbrelas levemente con un aceite vegetal de alto grado de humo. Esto continuará el proceso de acondicionamiento
- **Use el ajuste de calor medio para precalentar la parrilla y evitar que se quemé la cubierta acondicionadora de protección**
- Evite colocar marinados en base a azúcar o a sal sobre el metal antes de cocinar. Coloque los marinados en base a azúcar al final de la cocción y los salados después de cocinar
- Use marinados en base a aceite. Evite los marinados en base a agua
- Recubra levemente la comida con el aceite de cocina que prefiera antes de cocinarla
- Gire y haga rotar sus rejillas periódicamente
- Asegúrese de que la superficie de las rejillas esté siempre cubierta por una capa fina de aceite. Esto ayuda a prevenir la oxidación y el deterioro, y mejora el rendimiento antiadherente de las rejillas
- Si aparece óxido, caliente bien la rejilla, límpiela con un cepillo de cerdas de acero inoxidable y vuelva a acondicionarla

Durante períodos más extensos de inactividad, hay que acondicionar las rejillas y luego guardarlas en un lugar seco. Se pueden envolver en plástico para alimentos para protegerlas. Luego de guardarlas durante mucho tiempo, caliéntelas bien, lávelas, séquelas con toallas de papel y vuelva a acondicionarlas con un aceite de cocina de alto punto de humo.

**Si la parrilla está caliente, tenga cuidado y utilice guantes para horno para trabajar con el cepillo de cerdas de acero inoxidable.**

**Inspeccione cuidadosamente la parrilla después de cepillarla para verificar que no hayan quedado cerdas rotas en la rejilla.**

## BANDEJA RECOLECTORA DE GRASA

La bandeja colectora de grasa está en el cajón que está debajo del panel de control. Límpiela regularmente.

## FLAV-R-WAVE™

La Flav-R-Wave™ está diseñada para generar humo y vapor a partir del goteo de la comida, para mejorar el auténtico sabor a parrilla al mismo tiempo que protege el quemador. Si se acumulan residuos en el Flav-R-Wave™, saque las rejillas de cocción y raspe los residuos del Flav-R-Wave™ con el elevador de rejillas. (Parte # 60745)

## LIMPIEZA GENERAL

Realice una Quema de residuos (ver a continuación).

Cuando la parrilla a gas se enfríe, saque las rejillas, raspe el Flav-R-Wave™ para limpiarlo y luego sáquelo.

Limpie el interior de la parrilla a gas según sea necesario raspando los laterales y el fondo de la caja de cocción con el elevador de rejillas y aspirando los residuos.

La oxidación es un proceso natural y puede presentarse en partes internas de acero inoxidable. El óxido no afectará el rendimiento de su parrilla.

## QUEMA DE RESIDUOS

Encienda los quemadores según se indica en la sección "Encendido". Deje encendida la parrilla a gas en HIGH con la tapa cerrada durante 10 minutos como máximo.

Cierre el suministro de la fuente de gas y haga girar las perillas de control a la posición de "OFF".

## MANTENIMIENTO ANUAL

Los siguientes componentes deben inspeccionarse y limpiarse al menos una vez al año o después de períodos de almacenamiento de más de 30 días para garantizar un rendimiento, seguridad y eficiencia óptimos.

### QUEMADOR

Saque el quemador e inspeccione si presenta rajaduras o deterioro. Limpie los tubos Venturi utilizando un limpiador de tubos o un cepillo Venturi para eliminar cualquier obstrucción. Ver "Tubos Venturi". (Página 59). Cuando se haya removido el quemador, remueva las cubiertas de grasa, limpie el interior de la caja de cocción raspando los laterales y el fondo, y aspirándola.

### MANGUERA

Inspecciónela y reemplácela si es necesario. Para propano, consulte "Manguera y regulador".

### COMPONENTES EXTERIORES DE ALUMINIO

Si aparecen puntos blancos de óxido, lave el exterior de la caja de cocción de aluminio con una solución de agua y jabón suave. Enjuague bien las superficies y luego límpielas utilizando un paño humedecido en aceite de cocina para devolverles el brillo. Para reparar rayones de la pintura, utilice un aerosol de pintura de ALTA temperatura (600°F) de buena calidad para retocarla.

### COMPONENTES DE ACERO INOXIDABLE Y DE PORCELANA

Lávalos con agua y jabón. Use un limpiador para acero inoxidable o "Bar Keepers Friend" para pulir y remover manchas o marcas de óxido, si aparecieran. El desgaste y el calor extremo pueden hacer que la cubierta de acero inoxidable tome un color bronceado. Se trata de una decoloración y no se considera un defecto de fabricación.

### COMPONENTES DE RESINA Y ESTANTES LATERALES

Lávalos con agua y jabón.

### PARTES DE REEMPLAZO

Si detecta un problema en el regulador, manguera, quemador o válvulas de control, no intente repararlo. Vea a su proveedor, centro de servicios autorizado, o póngase en contacto con la fábrica para reparaciones o reemplazo de partes. Para asegurar un rendimiento óptimo, utilice únicamente partes de repuesto originales de BROIL KING®.

### PRUEBA DE FUGAS

Cuando conecte un cilindro de gas a modelos que funcionan con gas propano, asegúrese de comprobar si hay fugas. Ver "Prueba de fugas".

# DIAGNÓSTICO DE PROBLEMAS

PROBLEMA	CAUSA POSIBLE	ACCIÓN CORRECTIVA
<b>OLOR A GAS</b>	<b>CIERRE DE INMEDIATO LA VÁLVULA DEL CILINDRO LP. NO UTILICE EL ARTEFACTO HASTA QUE NO SE HAYA SELLADO LA FUGA.</b>	
Fuga detectada en el cilindro, en el regulador o en otra conexión.	1. Acople del regulador suelto. 2. Fuga de gas en la manguera/regulador o en las válvulas de control.	1. Apriete el acople y realice una "Prueba de fugas" (página 29) 2. Diríjase a un centro de servicios autorizado.
Llamas debajo del panel de control (retorno de llamas)	1. Tubo Venturi obstruido.	1. Saque el quemador y limpie el tubo Venturi. Ver "Tubos Venturi" (página 29)
Llama parpadeante en el quemador o Temperaturas bajas con el control en ALTA	1. El dispositivo de seguridad contra flujo excesivo se ha activado en la conexión entre el cilindro y la parrilla.	1. Cierre la válvula del cilindro LP y luego lleve todos los quemadores a la posición de APAGADO. Desconecte el regulador del cilindro. Espere dos minutos. Vuelva a conectar el regulador al cilindro. Abra lentamente la válvula del cilindro. Espere un minuto. Encienda la parrilla según se indica en "Encendido" (página 30)
El quemador no enciende	1. Se terminó el gas LP. 2. Problema del encendedor.  3. Se ha activado el dispositivo de seguridad contra flujo excesivo. 4. El regulador no está completamente conectado a la válvula del cilindro. 5. Una fuga en el sistema hace que el dispositivo contra el exceso de flujo se active. 6. Tubo Venturi obstruido o desalineado con respecto al orificio de la válvula. 7. Orificio(s) bloqueado(s). 8. La manguera está doblada.	1. Vuelva a llenar el cilindro de gas LP. 2. Intente encender el quemador manualmente con un fósforo. Ver "Encendido" (página 30). Si el quemador se enciende correctamente, se trata de un problema del encendedor. Ver "El encendedor no funciona" a continuación 3. Siga la solución que aparece más arriba en "Llama parpadeante o Temperaturas bajas con control en ALTA". 4. Ajuste la manivela del regulador.  5. Compruebe si hay fugas en las conexiones para determinar si hay un acople suelto. Apriete el acople. Compruebe que no haya fugas en el sistema. 6. Saque el quemador, limpie el tubo Venturi y vuelva a alinearlos con el orificio de la válvula. Vea la página 29 para obtener ayuda. 7. Saque el quemador, limpie los orificios con un alfiler o con un alambre. No perforo orificios. 8. Enderece la manguera. Manténgala alejada del fondo de la parrilla.
El encendedor no funciona	1. Se agotó la batería del encendedor 2. Cable(s) del encendedor desconectado(s)  3. Electrodo desalineado en el quemador 4. Desperfecto del encendedor	1. Reemplace la batería 2. Asegúrese de que los cables del quemador principal y del quemador lateral estén todos conectados 3. Vuelva a alinear el electrodo y limpie los restos circundantes del área 4. Utilice el procedimiento de "Encendido con fósforo" (página 30)
Disminución del calor, "Chasquido"	1. Se terminó el gas LP. 2. Tubo Venturi obstruido.	1. Vuelva a llenar el cilindro de gas LP. 2. Saque el quemador, limpie el tubo Venturi. Ver "Tubos Venturi" (página 29) para obtener ayuda.
Puntos calientes en la superficie de cocción	1. Tubo Venturi obstruido. 2. Acumulación de residuos en Flav-R-Wave	1. Saque el quemador, limpie el tubo Venturi. Ver "Tubos Venturi" (página 29) para obtener ayuda. 2. Raspar y aspirar el Flav-R-Wave.
"Llamaradas" o grasa incendiada	1. Acumulación excesiva de grasa en el vaporizador o en la caja de cocción de la parrilla a gas. 2. Calor excesivo	1. Raspe bien el Flav-R-Wave y el interior de la caja de cocción y luego aspire los restos. 2. Lleve los controles del quemador a un ajuste inferior
Zumbido del regulador	1. Se abrió demasiado rápido la válvula del cilindro.	1. Abra lentamente la válvula del cilindro.
Llama amarilla	1. Es normal que la llama sea un poco amarilla. Si se torna demasiado amarilla, puede que el tubo Venturi esté obstruido. 2. Puertos del quemador bloqueados.	1. Saque el quemador, limpie el tubo Venturi. Ver "Tubos Venturi" (página 29) para obtener ayuda. 2. Saque el quemador y límpielo con un cepillo de cerdas suaves (por ejemplo, un cepillo de dientes).
El interior de la cubierta parece estar descascarándose	1. Se trata de una acumulación de grasa. El interior de la cubierta no está pintado y no puede descascararse.	1. Límpielo con un cepillo de cerdas duras o con una espátula.
Rejillas de cocción oxidadas	1. Se ha dañado el esmalte de porcelana	1. Vea "Mantenimiento" (página 34) para obtener ayuda
Las luces del panel de control o internas no funcionan	1. La unidad no está conectada al suministro eléctrico. 2. Transformador fallado. 3. Conexiones flojas o corroídas. 4. Foco quemado	1. Conecte el cable GFI de alimentación al artefacto. Enchúfelo en un tomacorriente que funcione. 2. Verifique que haya 12 VCA a la salida del transformador. Reemplácelo si fuera necesario. 3. Limpie las conexiones y verifique que todos los conectores estén bien enchufados. 4. Reemplace los focos.
<b>Si no consigue resolver estas u otras dificultades con el diagnóstico de problemas, visite el sitio de Internet <a href="http://www.omcbbq.com">www.omcbbq.com</a> para obtener más información incluyendo videos de diagnóstico de problemas, trucos y consejos, o llame a nuestro servicio de atención al cliente: 1-800-265-2150</b>		

# GARANTÍA

La Garantía OMC es válida a partir de la fecha de compra y está limitada a reparaciones o reemplazos de partes sin costo alguno de componentes defectuosos en condiciones normales de uso doméstico.

En Canadá y Estados Unidos, el reemplazo se realiza FOB en la fábrica.

En todos los demás países, el reemplazo es FOB al distribuidor OMC (consulte a su proveedor para conocer el nombre del Distribuidor OMC).

Todos los demás costos son responsabilidad del dueño.

Esta garantía se le otorga únicamente al comprador original como se indica en el registro de garantía y es válida únicamente para productos de venta al por menor y solo cuando tales productos son utilizados exclusivamente por el comprador en el país donde los compró. (Los diferentes tipos de gas utilizados en distintos países requieren válvulas, orificios y reguladores adecuados.)

## LO QUE CUBRE

<b>COMPONENTES DE FUNDICIÓN DE ALUMINIO DE LA CAJA DE COCCIÓN</b>	De por vida
<b>CAJA DE COCCIÓN DE PORCELANA Y ACERO</b>	10 Años
<b>TUBOS DE LOS QUEMADORES</b>	5 Años
<b>PARTES RESTANTES Y PINTURA</b>	2 Años

## LO QUE NO ESTÁ CUBIERTO

Cualquier falla o problema de funcionamiento debido a un accidente, uso indebido o incorrecto, alteración, uso para otros fines, vandalismo, instalación incorrecta o mantenimiento o reparación inadecuados, o el incumplimiento del mantenimiento de rutina, incluyendo, pero sin limitarse a, daños causados por insectos dentro de los tubos del quemador, como se especifica en el manual del propietario.

Deterioro o daños debidos a condiciones meteorológicas severas, como granizo, huracanes, terremotos o tornados, decoloración debido a exposición a productos químicos ya sea directamente o en el ambiente.

Costos de envío o transportación.

Costos de devolución o reinstalación.

Costo de mano de obra por reinstalación o reparaciones.

Costo de llamadas de servicios técnicos.

Responsabilidad por daños indirectos o consiguientes.

Parrillas a gas que se consideren de uso colectivo o parrillas a gas que no sean utilizadas ni reciban mantenimiento directamente del comprador.

## PARTES DE REPUESTO

Para los reemplazos, siempre debe utilizar "Partes auténticas para Parrillas a gas OMC". El uso de cualquier otra parte anulará automáticamente la garantía descrita anteriormente.

## QUEMADORES

La vida de los quemadores OMC (hechos de acero inoxidable) depende casi completamente de su uso, limpieza y mantenimiento adecuados. Esta garantía no cubre fallas causadas por uso y mantenimiento inadecuados. Para consultar las instrucciones de mantenimiento adecuado, vea la página 34.

## REJILLAS DE COCCIÓN RECUBIERTAS DE PORCELANA

Todas las rejillas de hierro fundido para cocinar de OMC están cubiertas con un esmalte de porcelana para facilitar el proceso de limpieza y reducir la tendencia de los alimentos a pegarse a las rejillas. La porcelana es en esencia una cubierta de vidrio. Si las rejillas se manejan incorrectamente, el recubrimiento puede dañarse. Esto no afectará el uso ni el rendimiento de las rejillas. Las rejillas no están aseguradas contra daños ni oxidación derivados de su mal manejo. Consulte la sección "Mantenimiento" (página 34) para ver las instrucciones de cuidado y limpieza de la rejilla de cocción.

## SISTEMAS DE VAPORIZACIÓN

Las parrillas a gas OMC están diseñadas para utilizarse con sistemas de vaporización Flav-R-Wave™. El uso de cualquier otro producto anulará automáticamente la garantía.

## FLAV-R-WAVE™

El Flav-R-Wave™ está asegurado contra defectos materiales y oxidación durante un período de 2 años a partir de la fecha de compra. El óxido de la superficie no afectará el rendimiento del Flav-R-Wave™ y no está cubierto por la garantía. Vea la sección "Mantenimiento" (página 34) para consultar las instrucciones de cuidado adecuadas del Flav-R-Wave™.

## ENVÍO

Durante los tres (3) primeros meses después de la fecha original de compra, se realizan envíos de cortesía para los encargos de garantía. Después de dicho período, se cobrará el precio del envío en todos los encargos de garantía.

## REGISTRE SU PARRILLA

Puede registrar la garantía de su parrilla utilizando el sitio de Internet [www.omcbbq.com](http://www.omcbbq.com) o llamando al 1-800-265-2150.

## RECLAMACIONES DE GARANTÍA

Las partes deben devolverse al Departamento de Garantía de OMC, previo pago anticipado de los costos de envío, acompañado del Número del modelo, Número de serie, y si su parrilla no está registrada, la constancia de compra (copia del recibo de compra o factura). Si la inspección confirma el defecto, OMC reparará o reemplazará dicha parte de acuerdo con los términos de la garantía.

Al recibir la carta o fax (no por teléfono) puede que OMC, a su criterio, no requiera la devolución de la(s) parte(s).

## RESIDENTES FUERA DE EE.UU. / CANADÁ

La garantía anterior es gestionada por el distribuidor de OMC en su país. Contacte a su proveedor para conocer el nombre de su distribuidor OMC.