

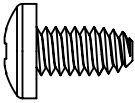
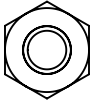
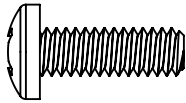
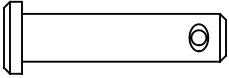
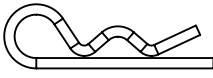
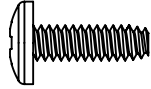
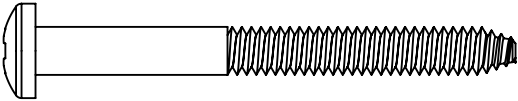
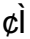

Broil King®





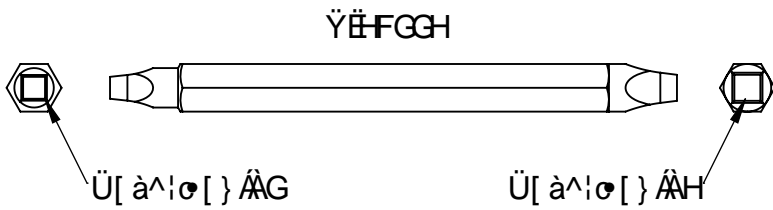
POËÜÖY OEÜÒÁÐ ÔŠWÖÖÖÁ



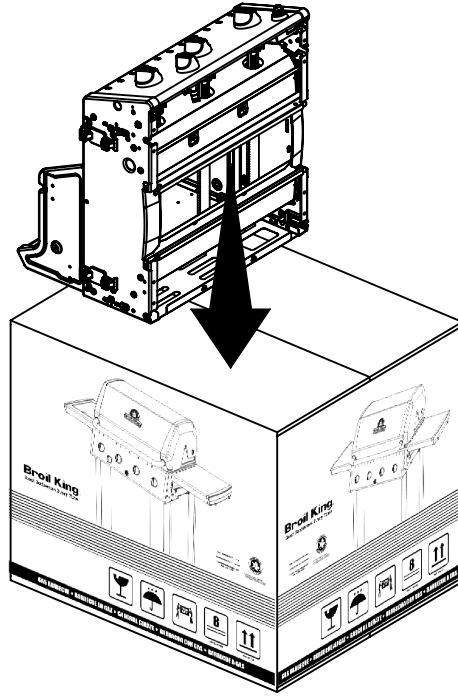
| | | | | | | | | |
|------------|---|----|---------|---|------|---------|---|----|
| YËG ÎÍ |  | çI | YËFĪ JH |  | çI Á | YËGF€ |  | çĪ |
| ÛFGHÍ |  | çG | ÛFGHH |  | çI | ÛHÍ €JI |  | çF |
| YËFĪ ÎG |  | | | | | | çÌ | |
| FEG €FH |  | | | | | | çG | |
| GEEÉÍ ÈÈÈÈ |  | | | | | | çF | |



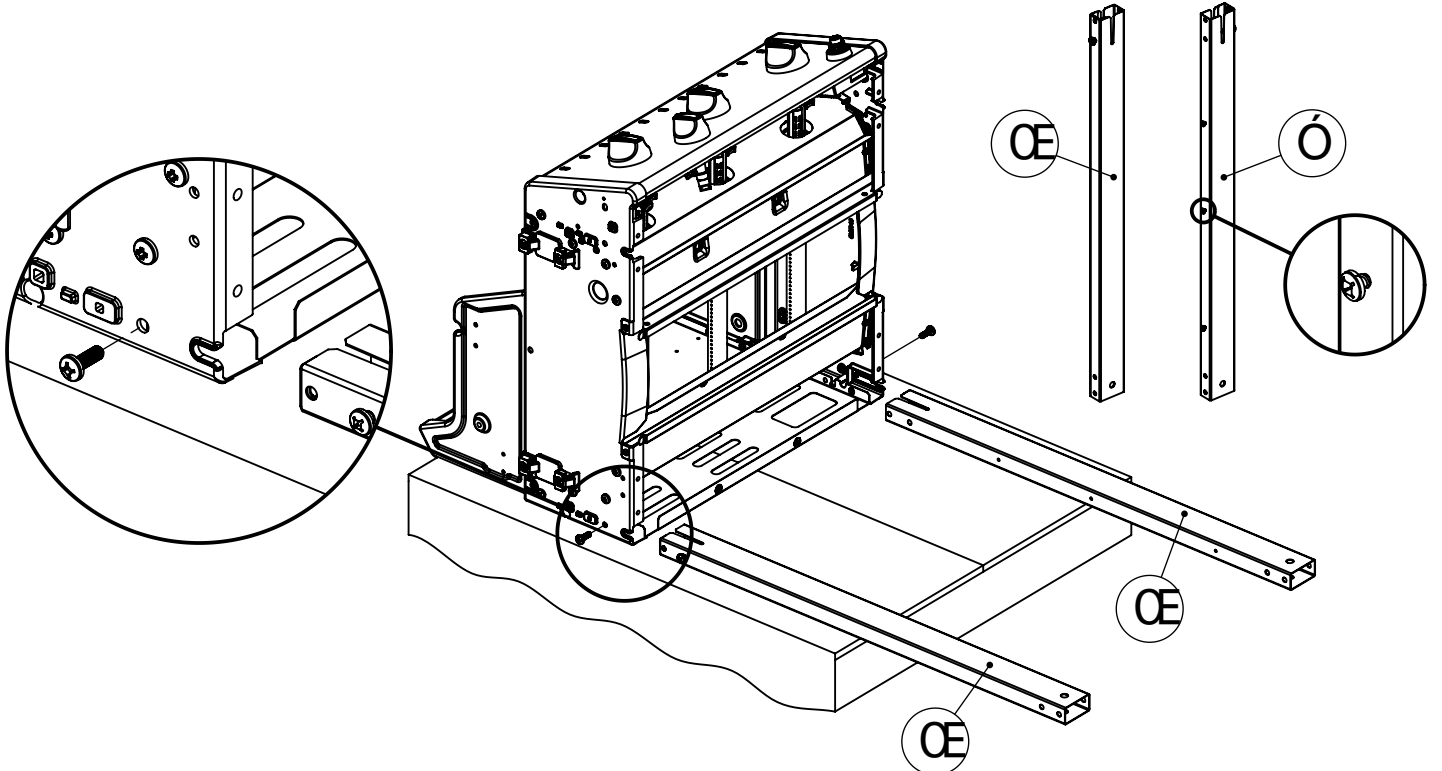
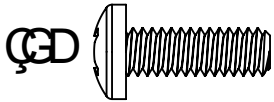
VUUŠÛÄÜÒÛWÖÛÖÖ

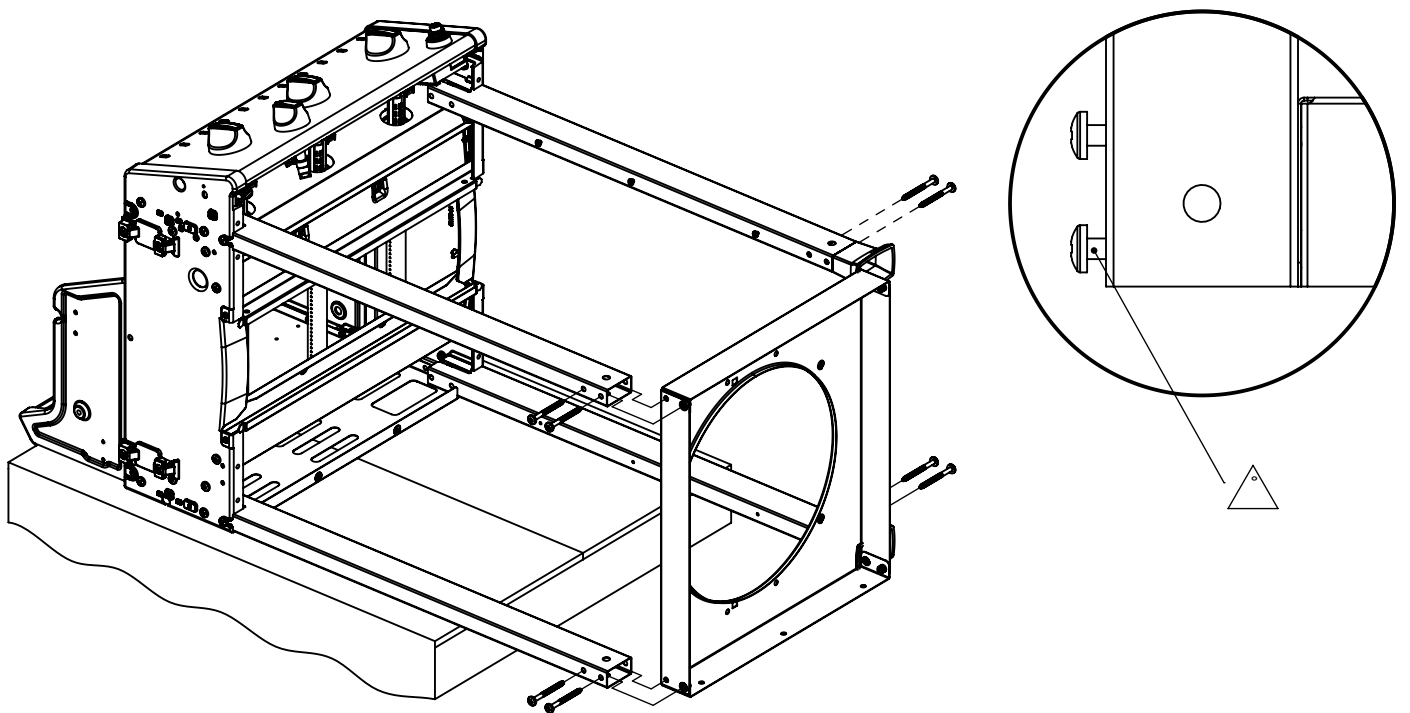
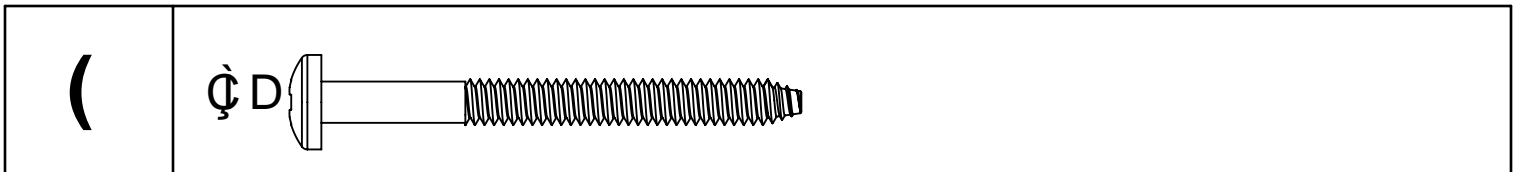
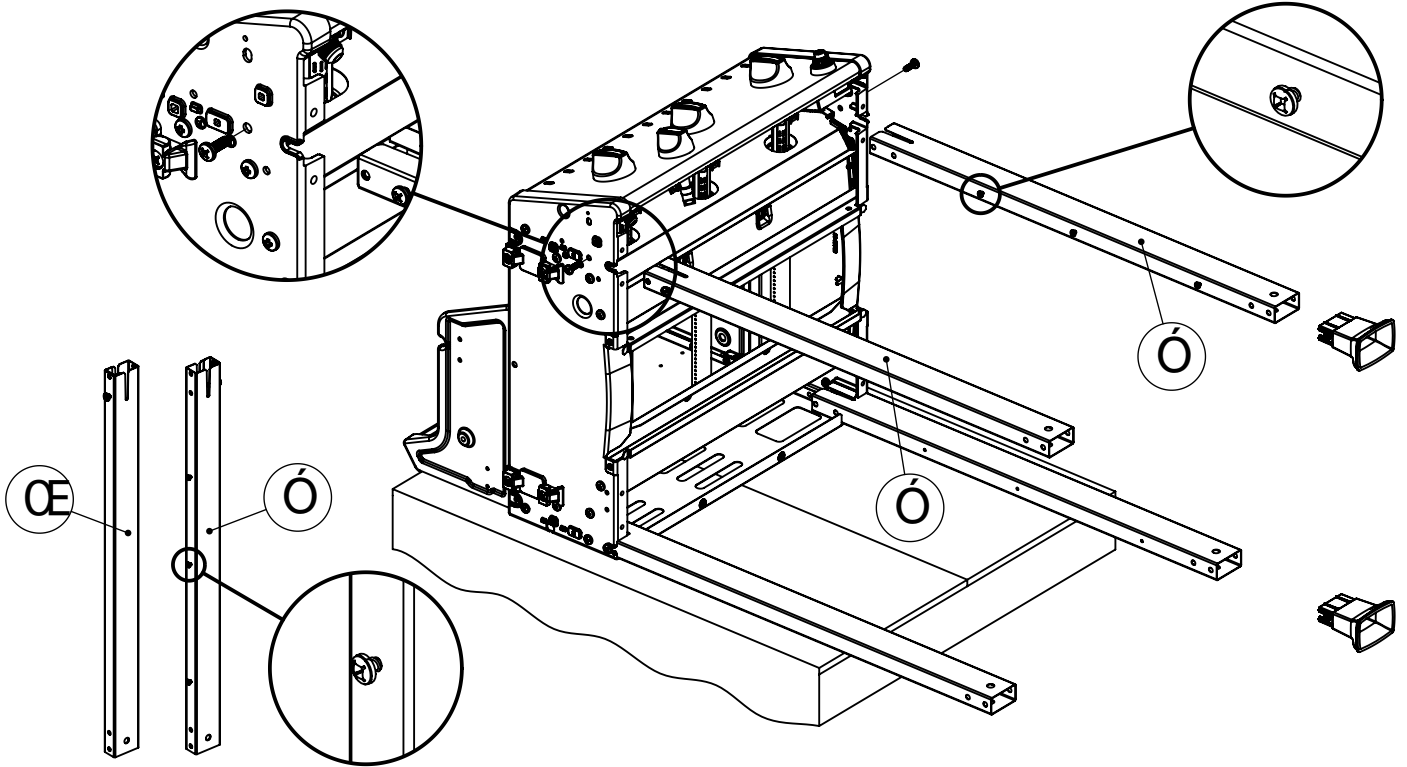
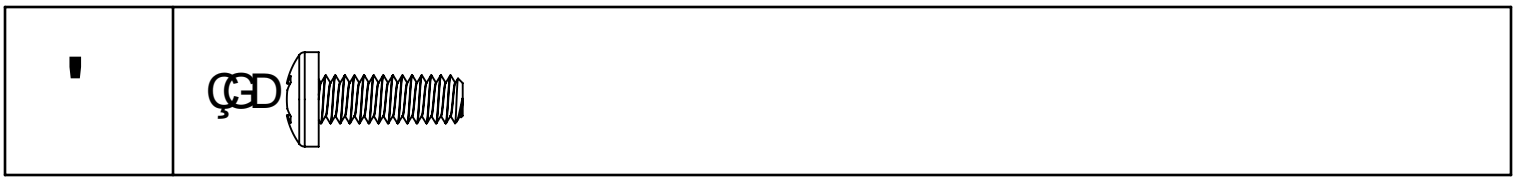


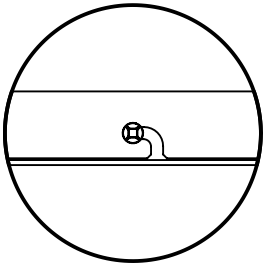
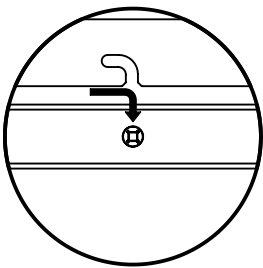
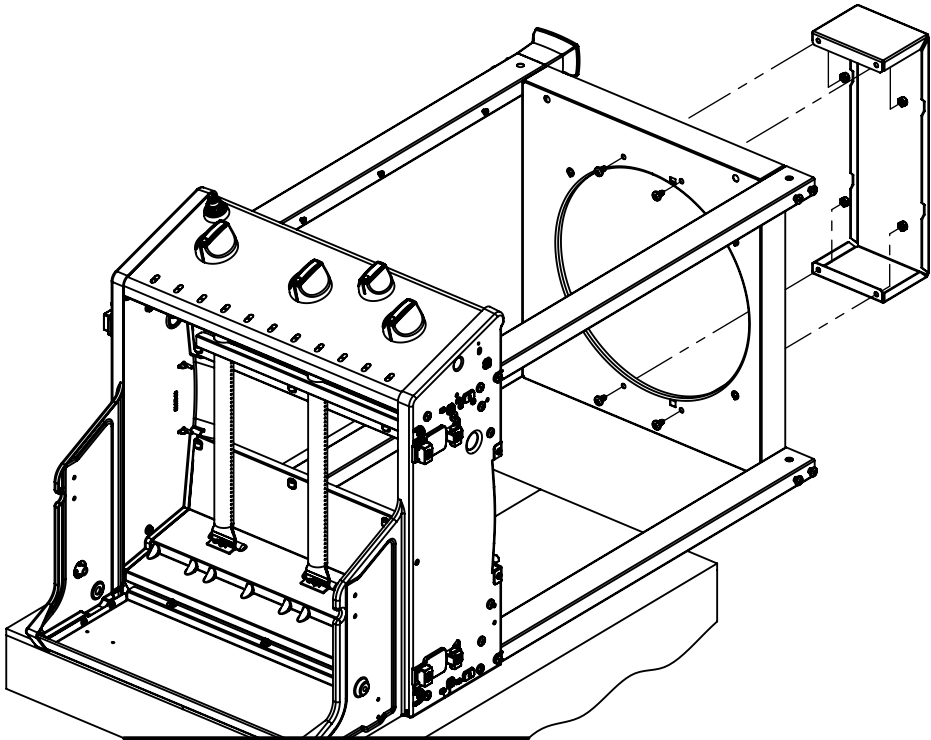
%



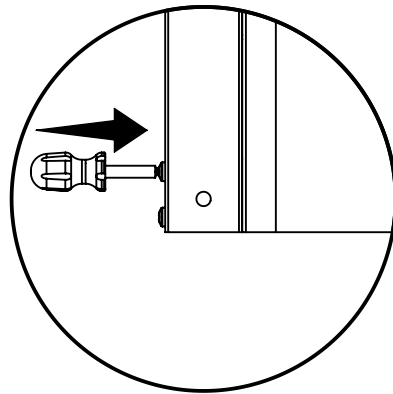
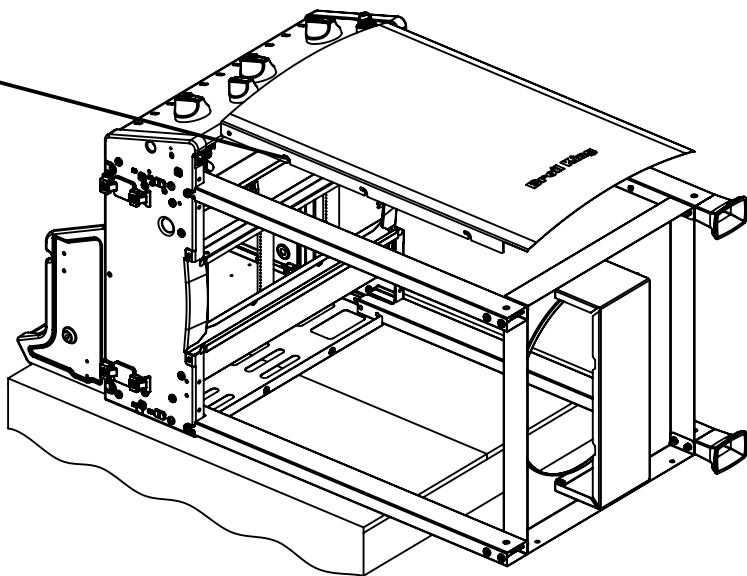
&



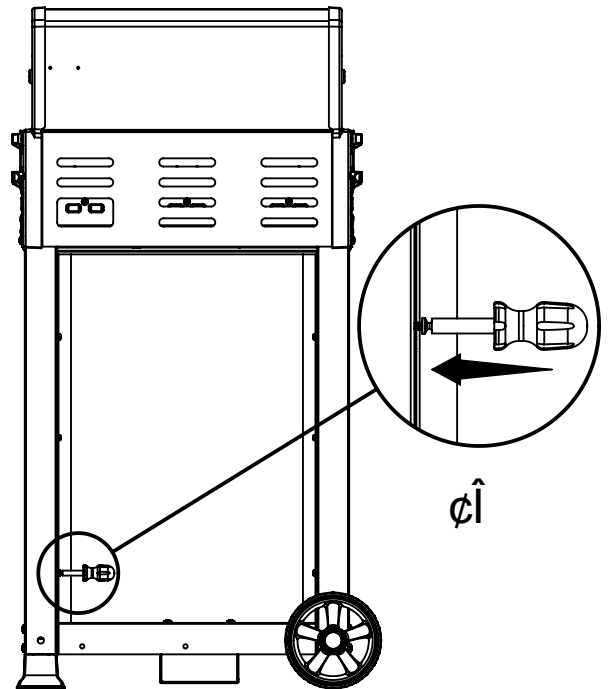
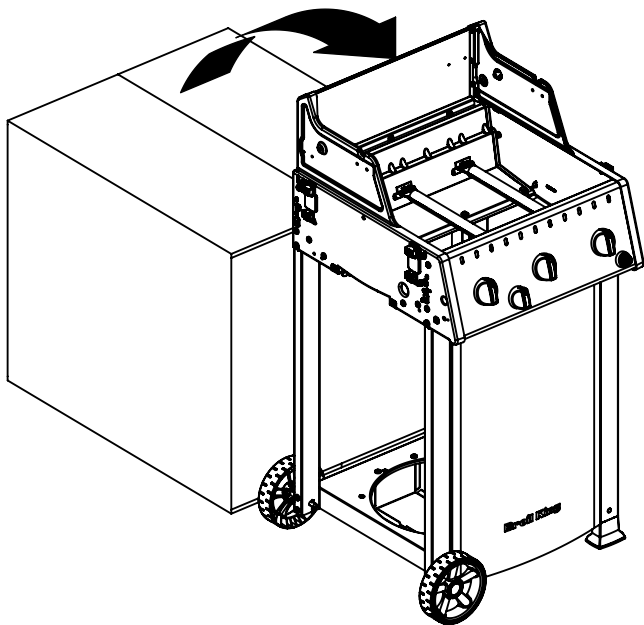
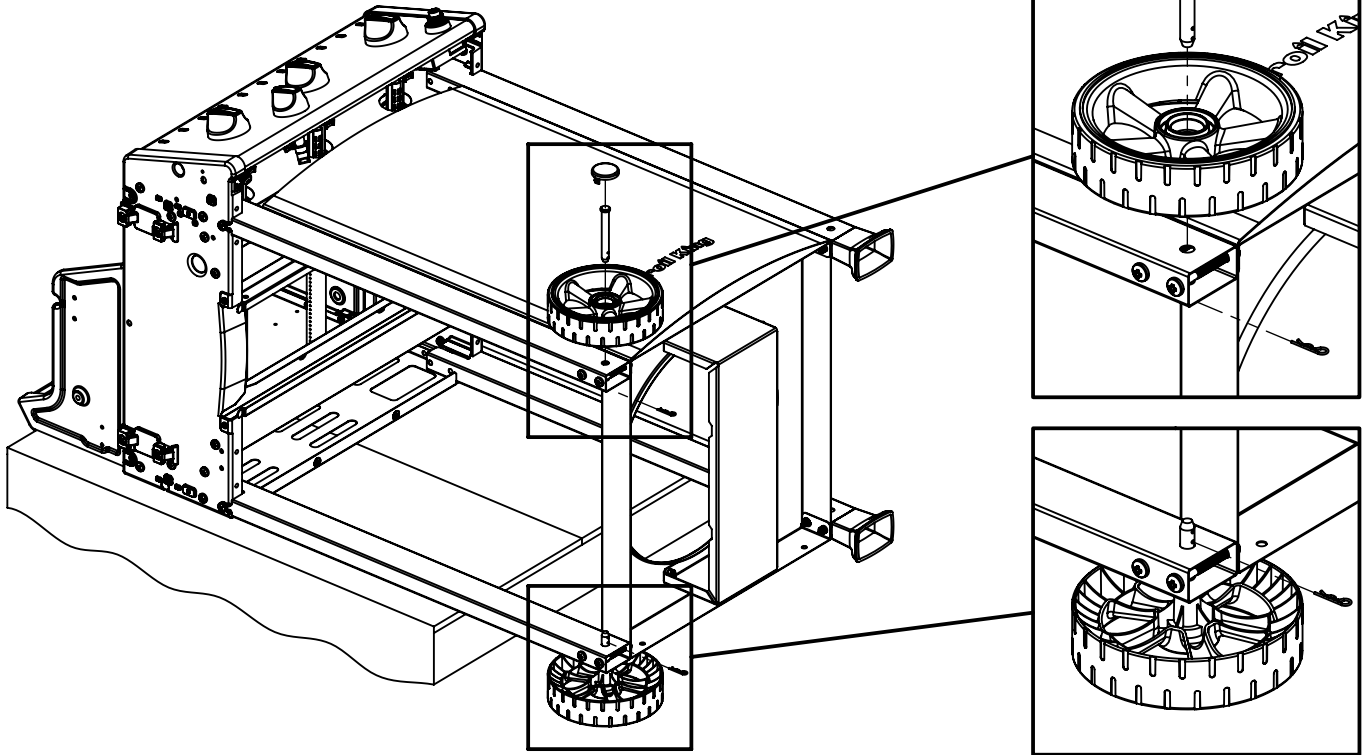
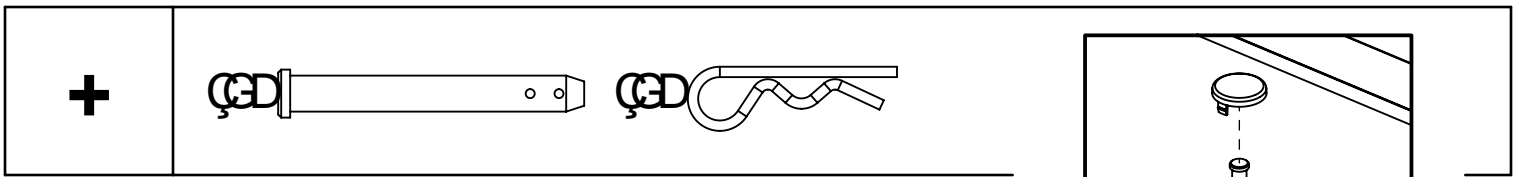




$\hat{\epsilon}i$

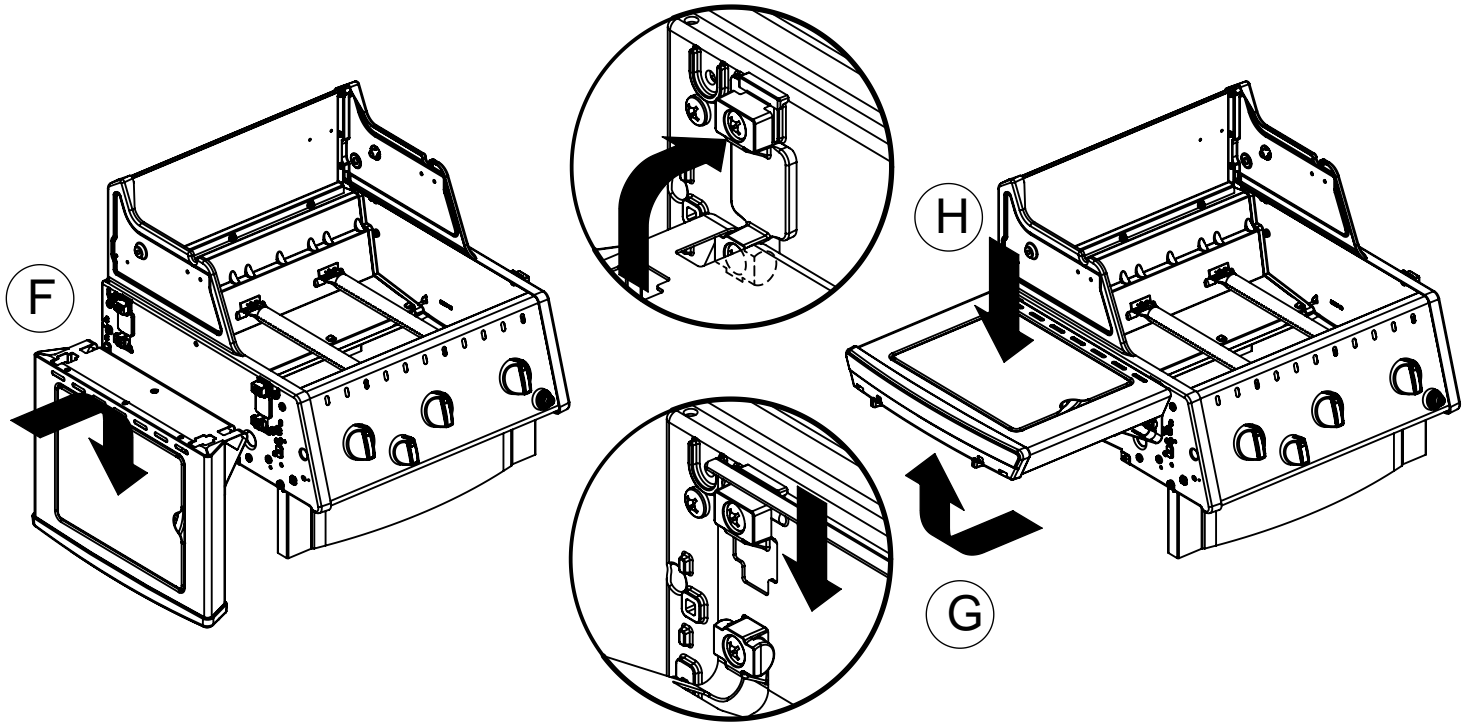


ϵi

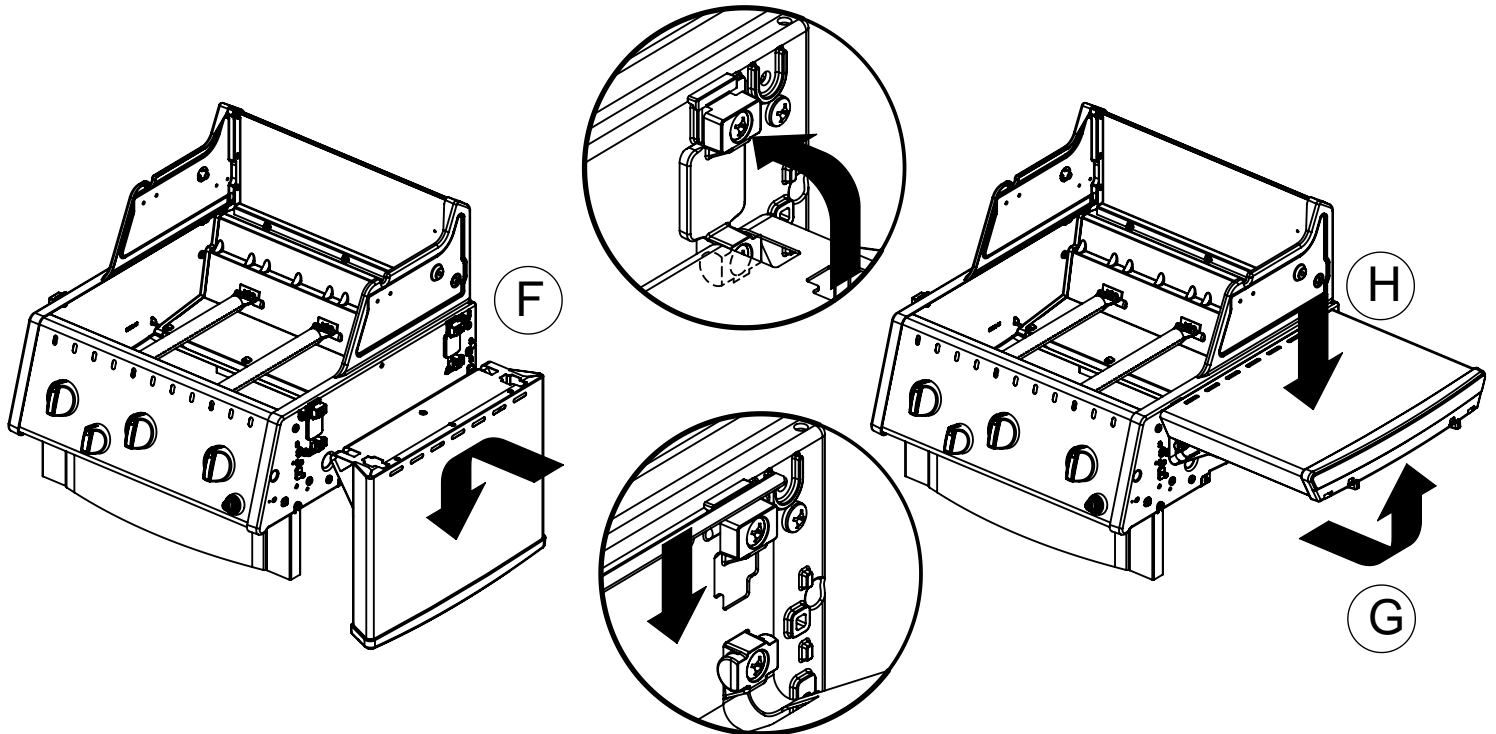


çî

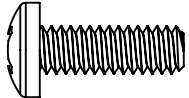
| | |
|---|--|
| - | |
|---|--|

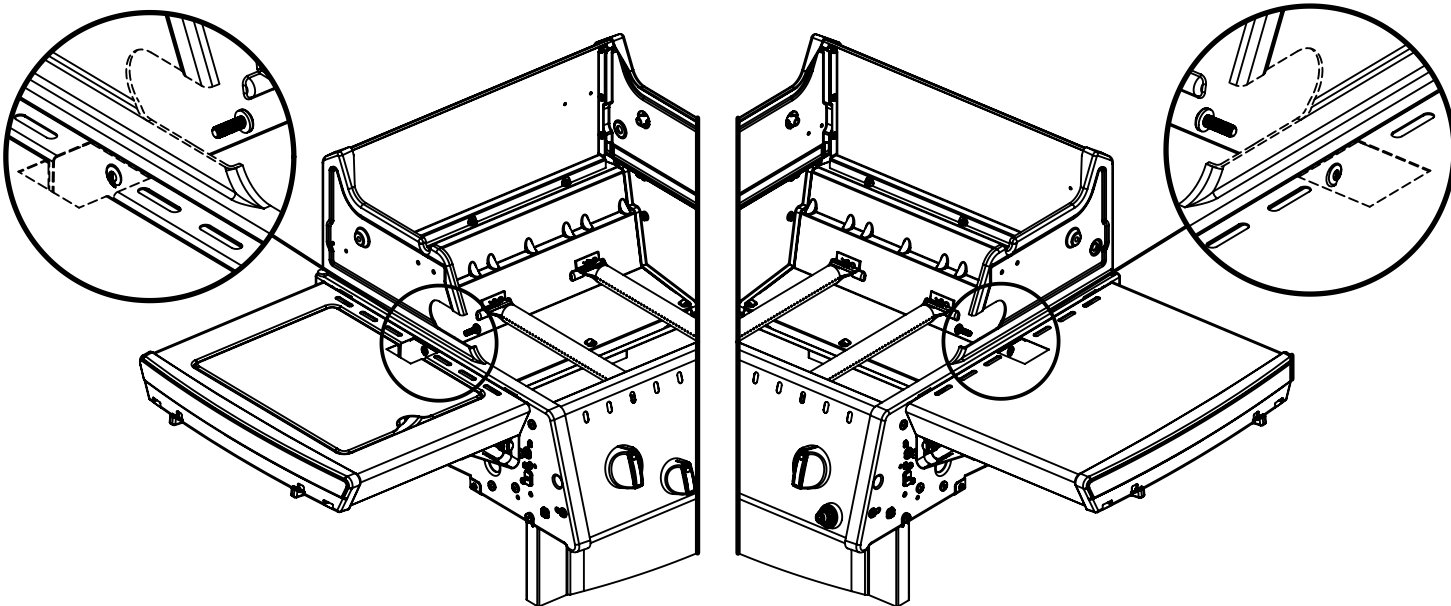


| | |
|---|--|
| ⌘ | |
|---|--|

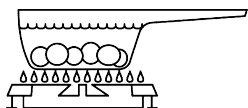



11

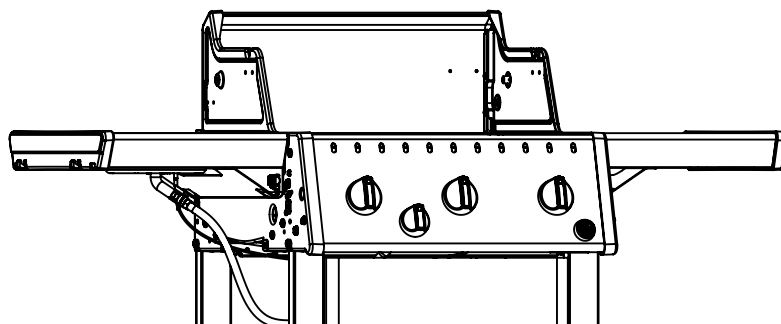
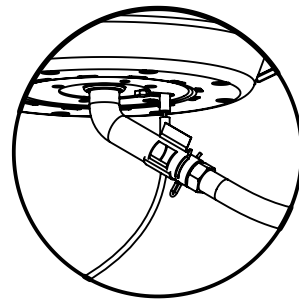
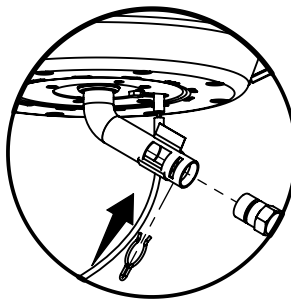
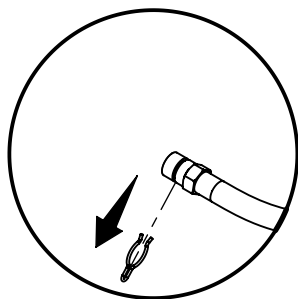
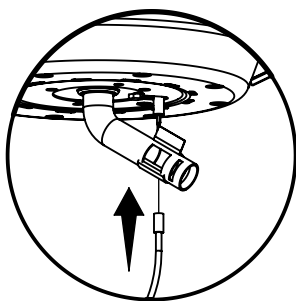
(2) 



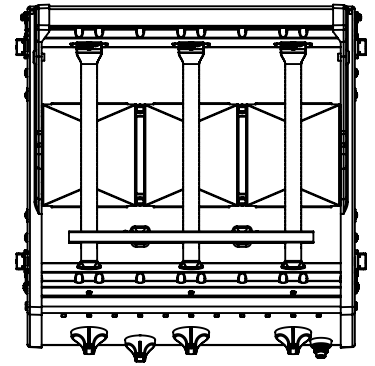
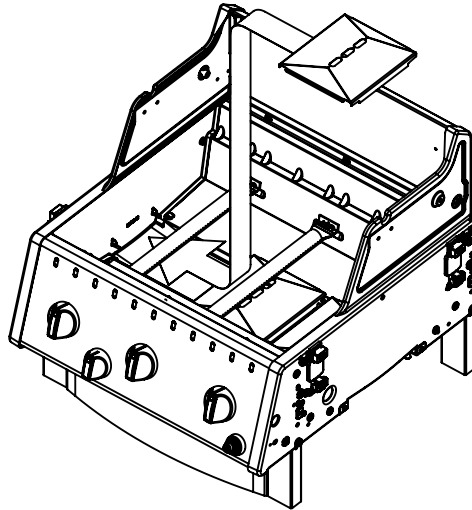
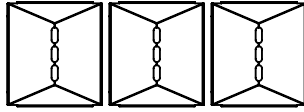
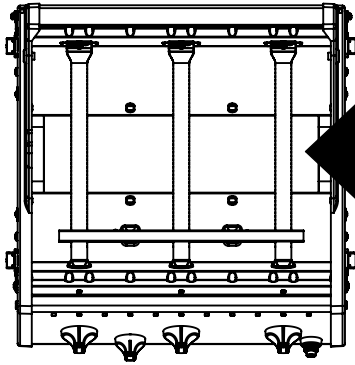
12



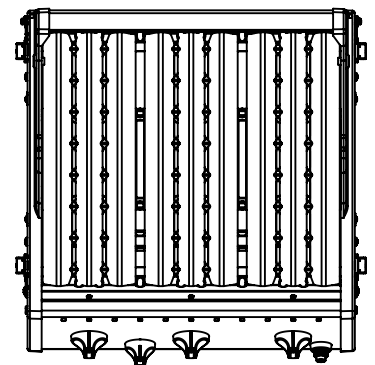
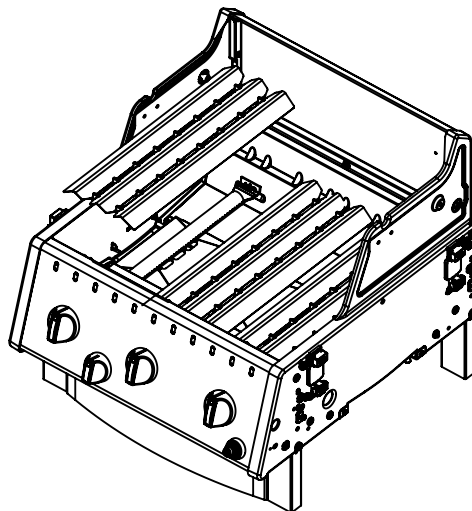
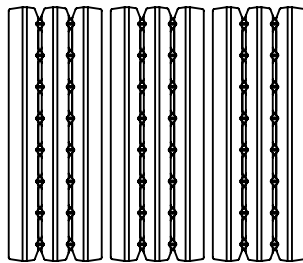
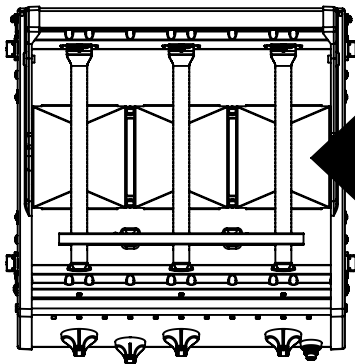
(1) 

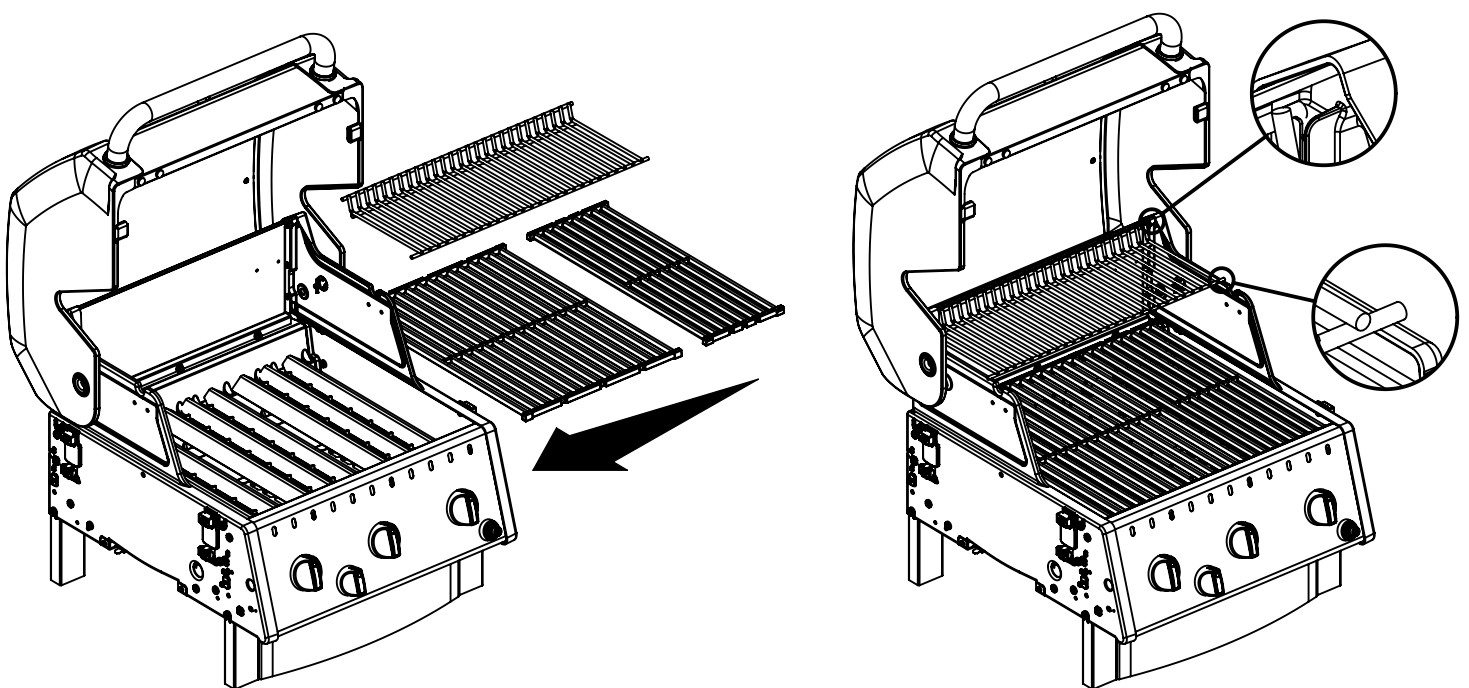
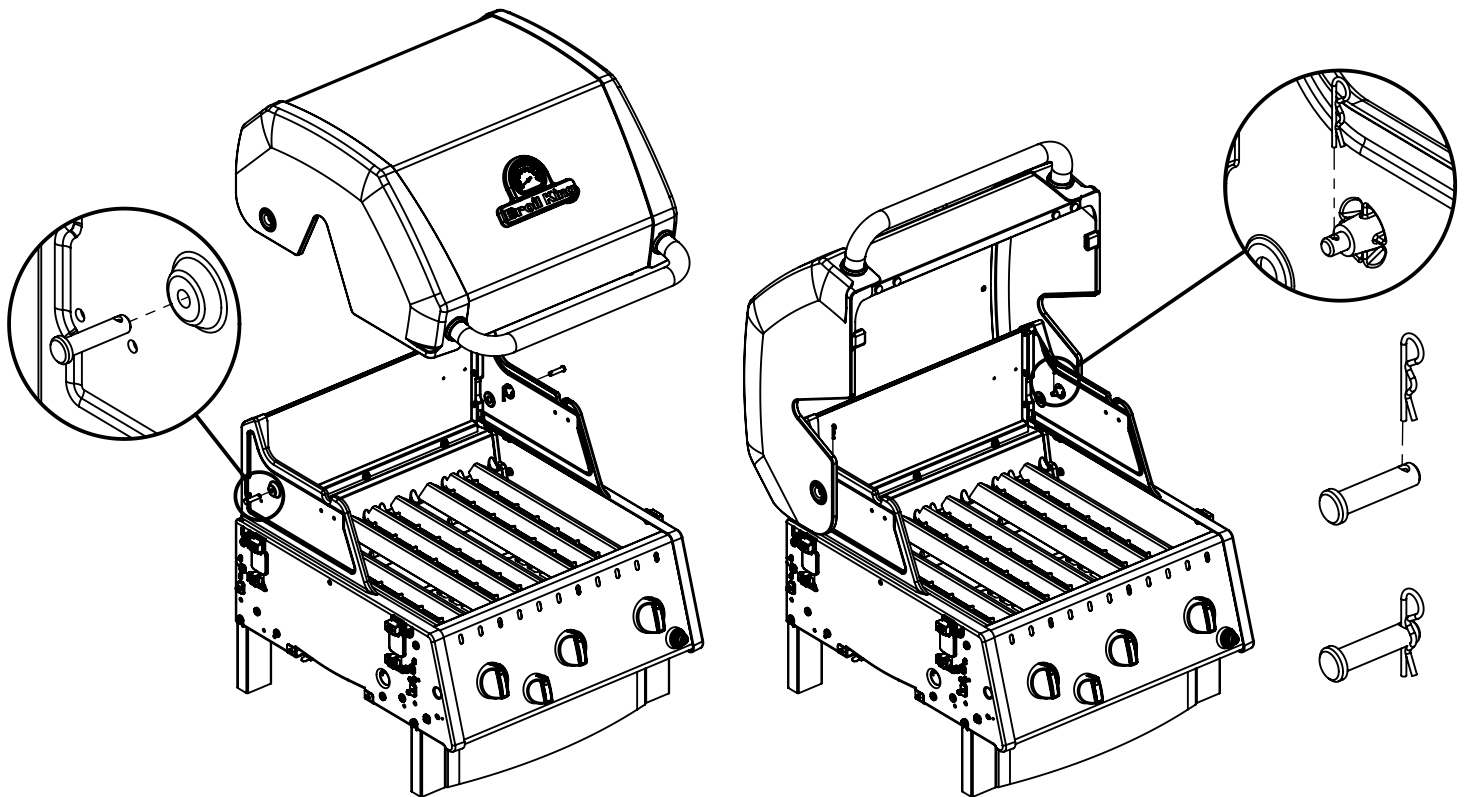
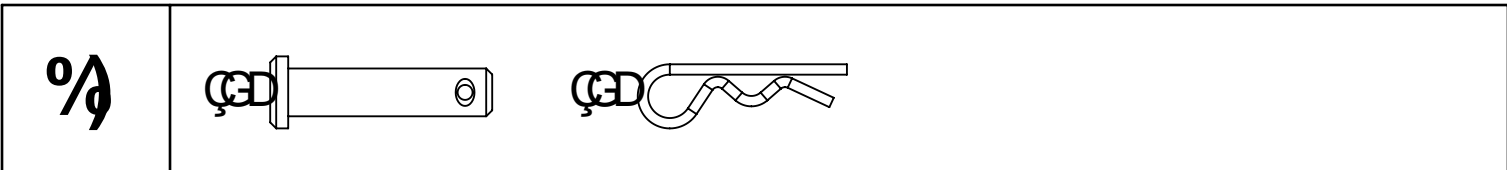


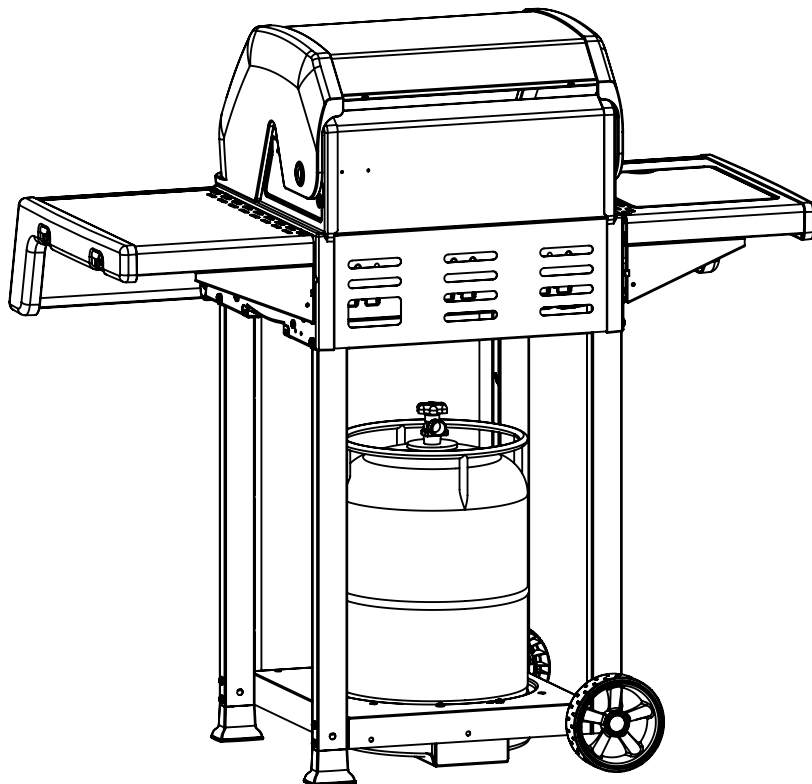
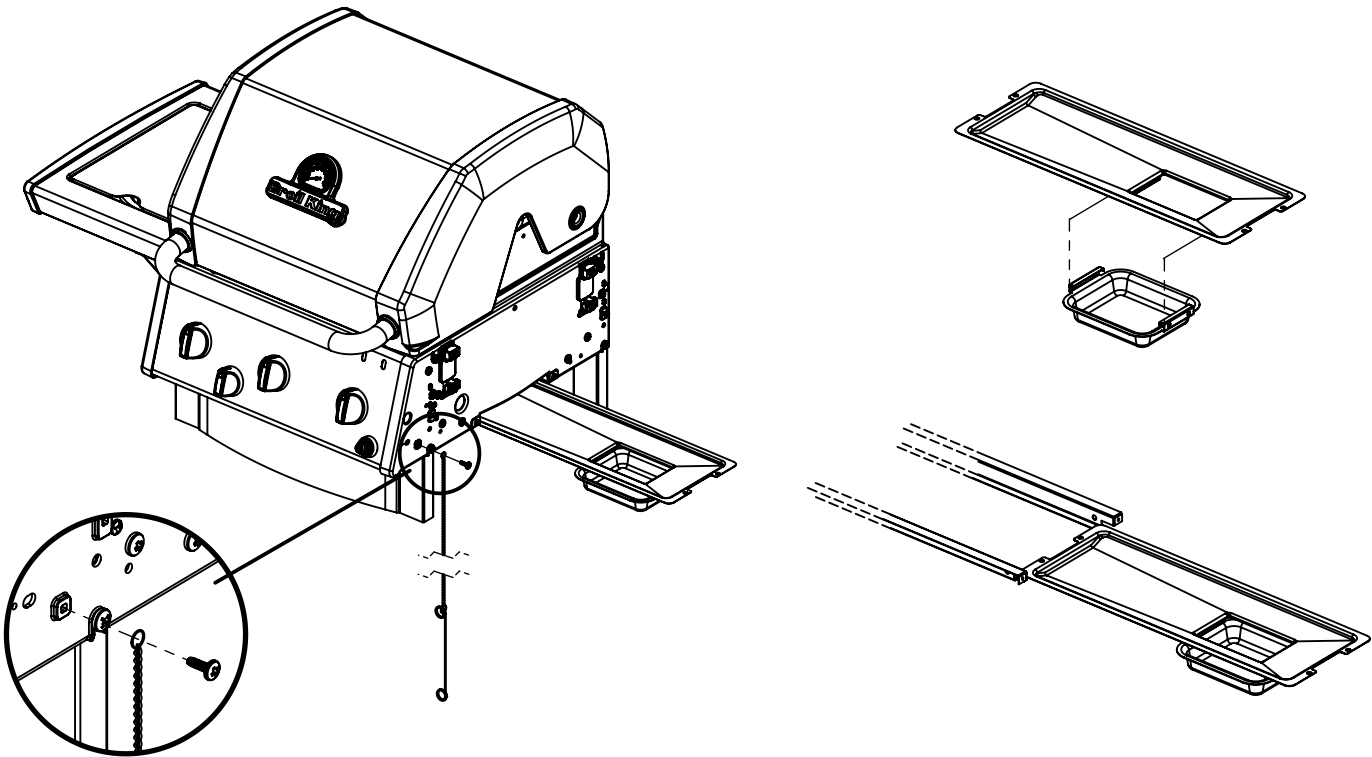
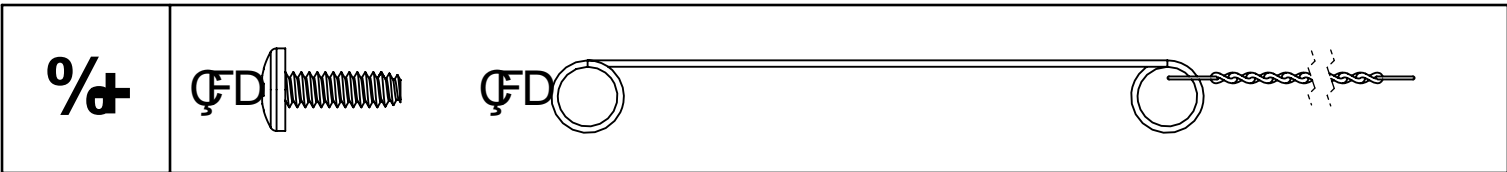
%



%







| <u>KEY #</u> | <u>ITEM #</u> | <u>DESCRIPTION</u> | <u>9812-52</u> | <u>9812-53</u> | <u>9812-53S</u> | <u>9812-53NZ</u> | <u>9812-62</u> | <u>9812-63</u> | <u>9812-63S</u> |
|--------------|---------------|---------------------------|----------------|----------------|-----------------|------------------|----------------|----------------|-----------------|
| 1 | 56004-801 | LID | 1 | 1 | • | 1 | 1 | 1 | • |
| | 56004-804 | | • | • | 1 | • | • | • | 1 |
| 5 | 10081-BK630 | NAMEPLATE | 1 | 1 | 1 | 1 | 1 | 1 | 1 |
| 6 | 10571-6 | HEAT INDICATOR | 1 | 1 | 1 | 1 | 1 | 1 | 1 |
| 7 | 24004-12A | HANDLE | 1 | 1 | 1 | 1 | 1 | 1 | 1 |
| 8 | 24009-936 | HANDLE BEZEL | 2 | 2 | 2 | 2 | 2 | 2 | 2 |
| 10 | 52104-004 | FIREBOX | 1 | 1 | 1 | 1 | 1 | 1 | 1 |
| 15 | 52224-014A | COLLECTOR BOXES | 1 | 1 | 1 | 1 | 1 | 1 | 1 |
| 17 | 27249-90 | GREASE SHEILD | 3 | 3 | 3 | 3 | 3 | 3 | 3 |
| 19 | 10342-E13 | ELECTRODE | 2 | 2 | 2 | 2 | 2 | 2 | 2 |
| 21 | 21034-991 | GREASE TRAY - RAIL | 2 | 2 | 2 | 2 | 2 | 2 | 2 |
| 25 | 52909-144E | BURNER - MAIN | 3 | 3 | 3 | 3 | 3 | 3 | 3 |
| 27 | 52023-244 | CONTROL COVER | • | • | • | • | 1 | 1 | 1 |
| | 52023-124 | | 1 | 1 | 1 | 1 | • | • | • |
| 29 | 59004-035 | CONTROL ASSEMBLY | • | • | • | • | • | 1 | 1 |
| | 59004-032 | | • | • | • | • | 1 | • | • |
| | 59004-015 | | • | 1 | 1 | • | • | • | • |
| | 59004-012 | | 1 | • | • | • | • | • | • |
| | 59004-014 | | • | • | • | 1 | • | • | • |
| 30 | S13473-079 | HOSE - SIDE BURNER | • | • | • | • | • | 1 | 1 |
| | S13473-073 | | • | • | • | • | 1 | • | • |
| 40 | 10472-K431 | CONTROL KNOB | 3 | 3 | 3 | 3 | 3 | 3 | 3 |
| 41 | 10472-K231 | CONTROL KNOB | • | • | • | • | 1 | 1 | 1 |
| 42 | 10342-245 | ELECTRONIC IGNITOR | • | • | • | • | 1 | 1 | 1 |
| | 10342-244 | | 1 | 1 | 1 | 1 | • | • | • |
| 47 | 57055-901 | GREASE TRAY | 1 | 1 | 1 | 1 | 1 | 1 | 1 |
| 49 | 52009-901 | GREASE PAN | 1 | 1 | 1 | 1 | 1 | 1 | 1 |
| 50 | 52209-404 | FLAV-R-WAVE ® | 3 | 3 | 3 | 3 | 3 | 3 | 3 |
| 52a | 52007-181 | GRID – SINGLE | 1 | 1 | 1 | 1 | 1 | 1 | 1 |
| 52b | 52002-181 | GRID – DOUBLE | 1 | 1 | 1 | 1 | 1 | 1 | 1 |
| 54 | 52004-091 | GRID - WARMING RACK | 1 | 1 | 1 | 1 | 1 | 1 | 1 |
| 60 | 51084-111 | FRONT PANEL | 1 | 1 | 1 | 1 | 1 | 1 | 1 |
| 61 | 51209-101 | LEG | 4 | 4 | 4 | 4 | 4 | 4 | 4 |
| 63 | 52340-202 | LEG – BRACKET | 4 | 4 | 4 | 4 | 4 | 4 | 4 |
| 65 | 51694-131R | CABINET - LOWER BASE | 1 | 1 | 1 | 1 | 1 | 1 | 1 |
| 67 | 21039-301 | TANK BRACKET | 1 | 1 | 1 | 1 | 1 | 1 | 1 |
| 72 | 51429-158 | LEG PLUG | 2 | 2 | 2 | 2 | 2 | 2 | 2 |
| 74 | 10892-608 | WHEEL | 2 | 2 | 2 | 2 | 2 | 2 | 2 |
| 75 | 10240-13 | WHEEL – PIN | 2 | 2 | 2 | 2 | 2 | 2 | 2 |
| 76 | 32001-152 | WHEEL – CAP | 2 | 2 | 2 | 2 | 2 | 2 | 2 |
| 80 | 50711-E111A | SIDE SHELF – RIGHT | 2 | 2 | 2 | 2 | 1 | 1 | 1 |
| 82 | 50711-E131A | SIDE SHELF - SIDE BURNER | • | • | • | • | 1 | 1 | 1 |
| 86 | 10390-E10E | SIDE BURNER | • | • | • | • | 1 | 1 | 1 |
| 87 | 53004-271 | SIDE BURNER - BODY | • | • | • | • | 1 | 1 | 1 |
| 88 | 53000-251 | SIDE BURNER - COVER | • | • | • | • | 1 | 1 | 1 |
| 89 | 63139-981 | SIDE BURNER GRID | • | • | • | • | 1 | 1 | 1 |
| 92 | 10342-T21 | SIDE BURNER ELECTRODE | • | • | • | • | 1 | 1 | 1 |
| 125 | Y-12835 | SCREW - #6 X 1/4 | • | • | • | • | 2 | 2 | 2 |
| 127 | S21125 | SCREW - #8 X 3/8 | 3 | 3 | 3 | 3 | 3 | 3 | 3 |
| 129 | S21124 | SCREW - #8 X 1/2 | 6 | 6 | 6 | 6 | 6 | 6 | 6 |
| 130 | Y-12646 | SCREW - SHOULDER #8 X 1/2 | 2 | 2 | 2 | 2 | 2 | 2 | 2 |
| 131 | S21136 | SCREW - #8-32 X 1 /2 | 8 | 8 | 8 | 8 | 10 | 10 | 10 |
| 135 | S35094 | SCREW - #10-24 X 5/8 | 1 | 1 | 1 | 1 | 1 | 1 | 1 |
| 136 | Y-29310 | SCREW - #10-24 X 3/4 | 6 | 6 | 6 | 6 | 6 | 6 | 6 |
| 140 | Y-12865 | SCREW - 1/4-20 X 1/2 | 6 | 6 | 6 | 6 | 6 | 6 | 6 |
| 141 | Y-12310 | SCREW - 1/4-20 X 3/4 | 8 | 8 | 8 | 8 | 8 | 8 | 8 |
| 142 | Y-12860 | SCREW - 1/4-20 X 1 | 2 | 2 | 2 | 2 | 2 | 2 | 2 |
| 143 | Y-11562 | SCREW - 1/4-20 X 2-3/8 | 8 | 8 | 8 | 8 | 8 | 8 | 8 |
| 150 | Y-11973 | NUT – 1/4-20 | 4 | 4 | 4 | 4 | 4 | 4 | 4 |
| 169 | Y-11230 | RETAINER CLIP | • | • | • | • | 1 | 1 | 1 |
| 170 | S21235 | HINGE PIN | 2 | 2 | 2 | 2 | 2 | 2 | 2 |
| 171 | S21233 | CLIP | 4 | 4 | 4 | 4 | 4 | 4 | 4 |
| 180 | SP11-25 | LID BUMPER | 2 | 2 | 2 | 2 | 2 | 2 | 2 |
| 181 | Y-11231 | LID BUMPER - ROUND | 4 | 4 | 4 | 4 | 4 | 4 | 4 |
| 182 | 20005-000 | MATCH LIGHT CHAIN | 1 | 1 | 1 | 1 | 1 | 1 | 1 |
| 186 | Y-11544 | BURNER SCREW | 3 | 3 | 3 | 3 | 3 | 3 | 3 |
| 187 | S21242 | CLIP | 3 | 3 | 3 | 3 | 3 | 3 | 3 |

