

Broil King®



Broil King

REGAL S 420 COMMERCIAL

8851-52

8851-53

8851-56



Broil King

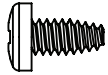
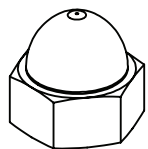
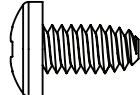
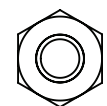
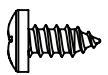
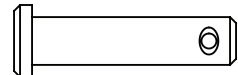
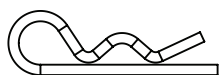
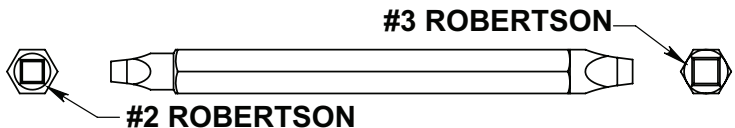
REGAL S 520 COMMERCIAL

8861-52

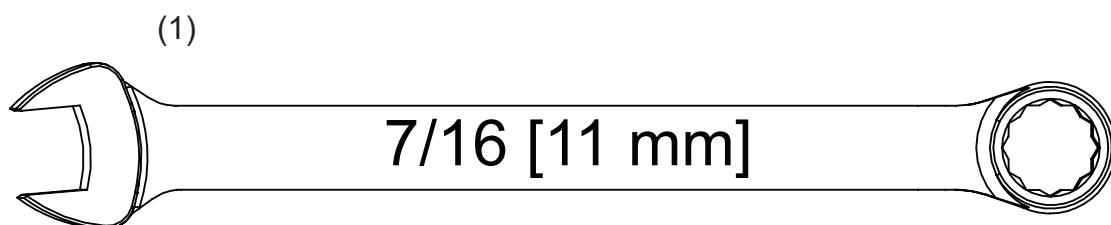
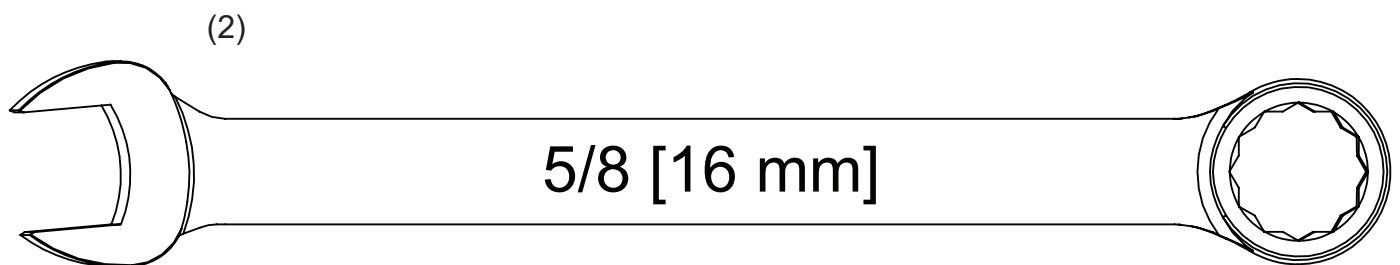
8861-53

8861-56

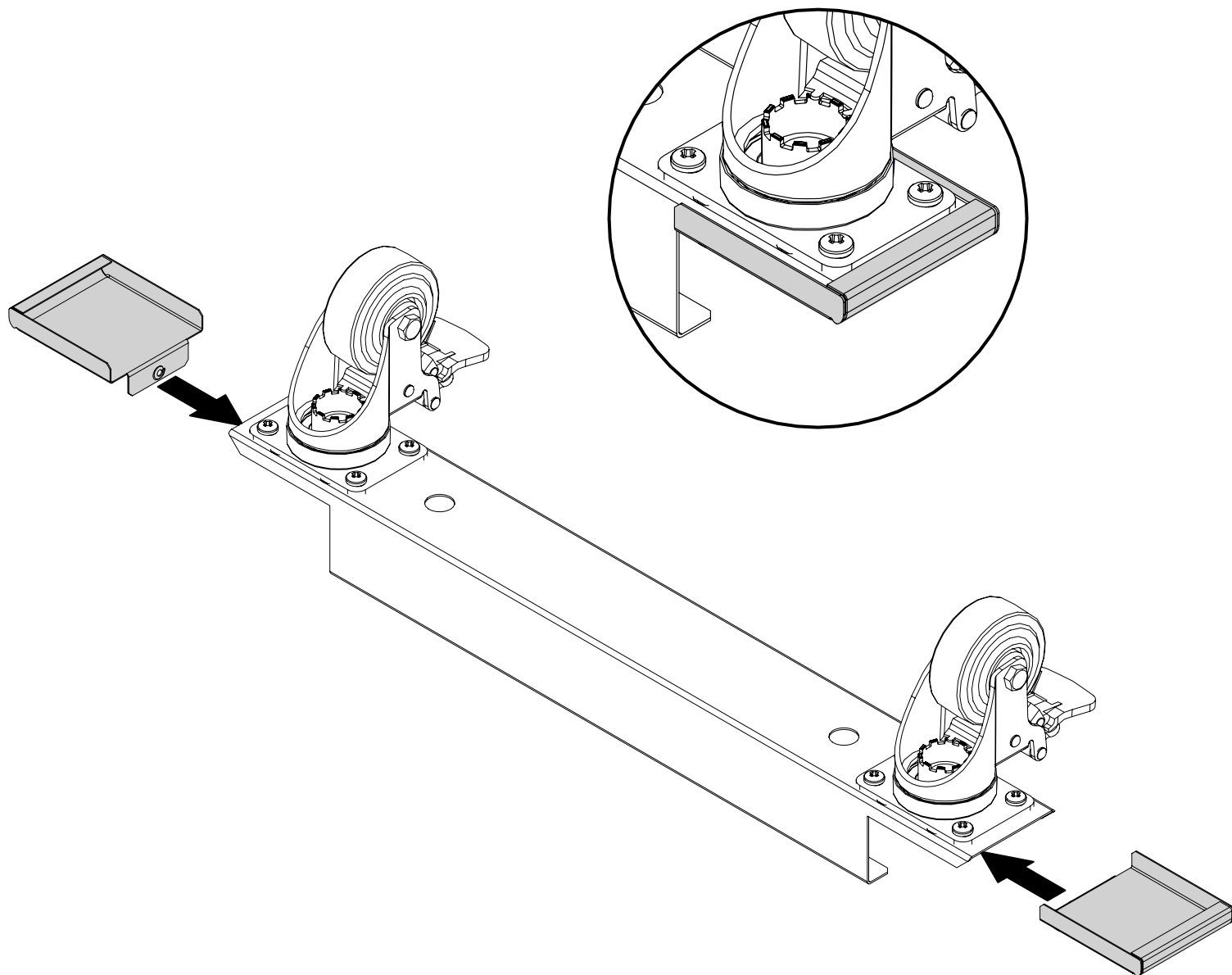
HARDWARE INCLUDED / MATERIAL INCLUS / EQUIPOS INCLUIDO

Y-29304		X16	Y-12282		X2
Y-12865S		X30	Y-11793		X12
S21125S		X4	S21235		X2
S21233		X2	 <p>#3 ROBERTSON</p> <p>#2 ROBERTSON</p>		

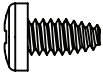
TOOLS REQUIRED / OUTILS NECESSAIRES / HERRAMIENTAS NECESARIAS

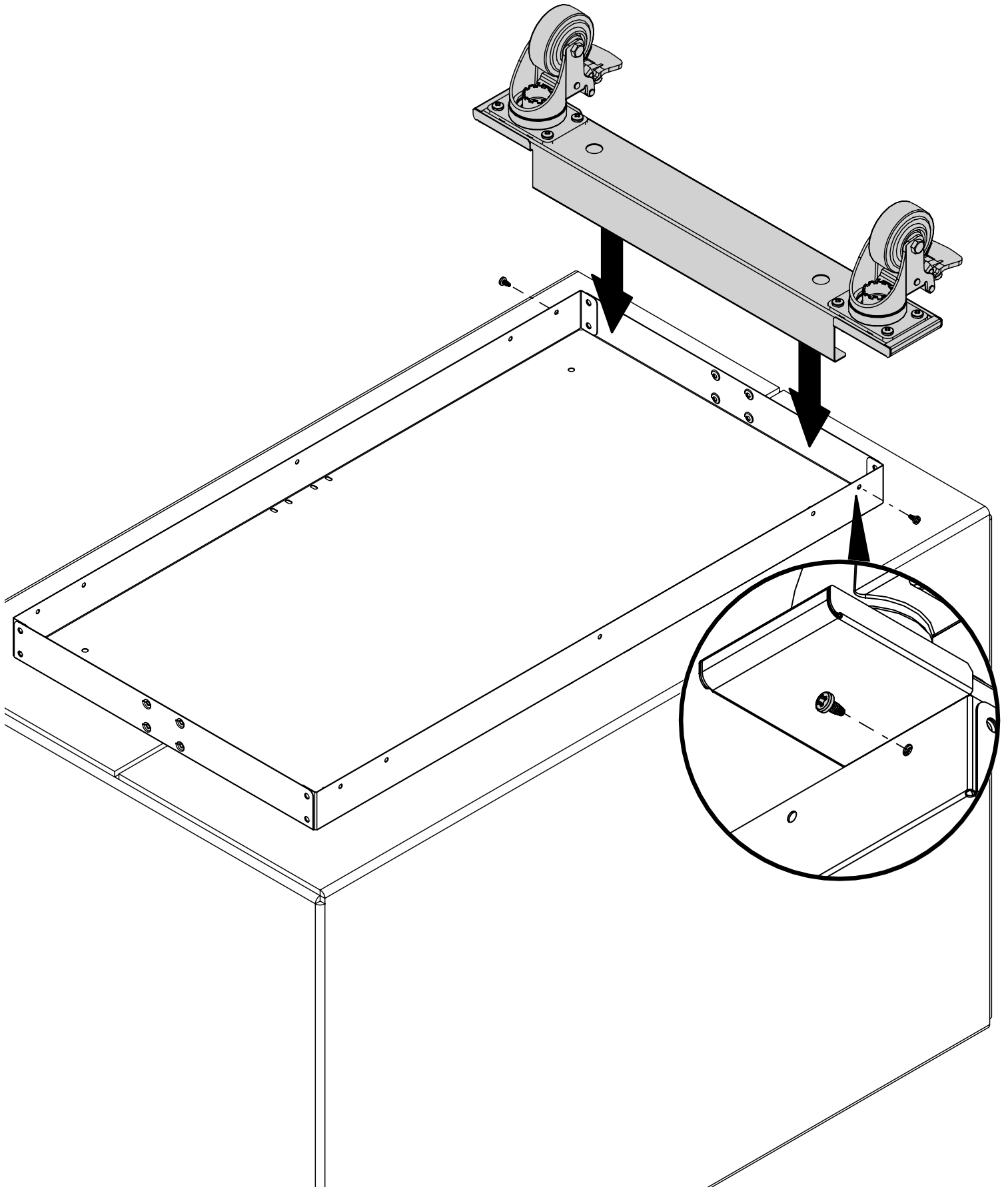


1



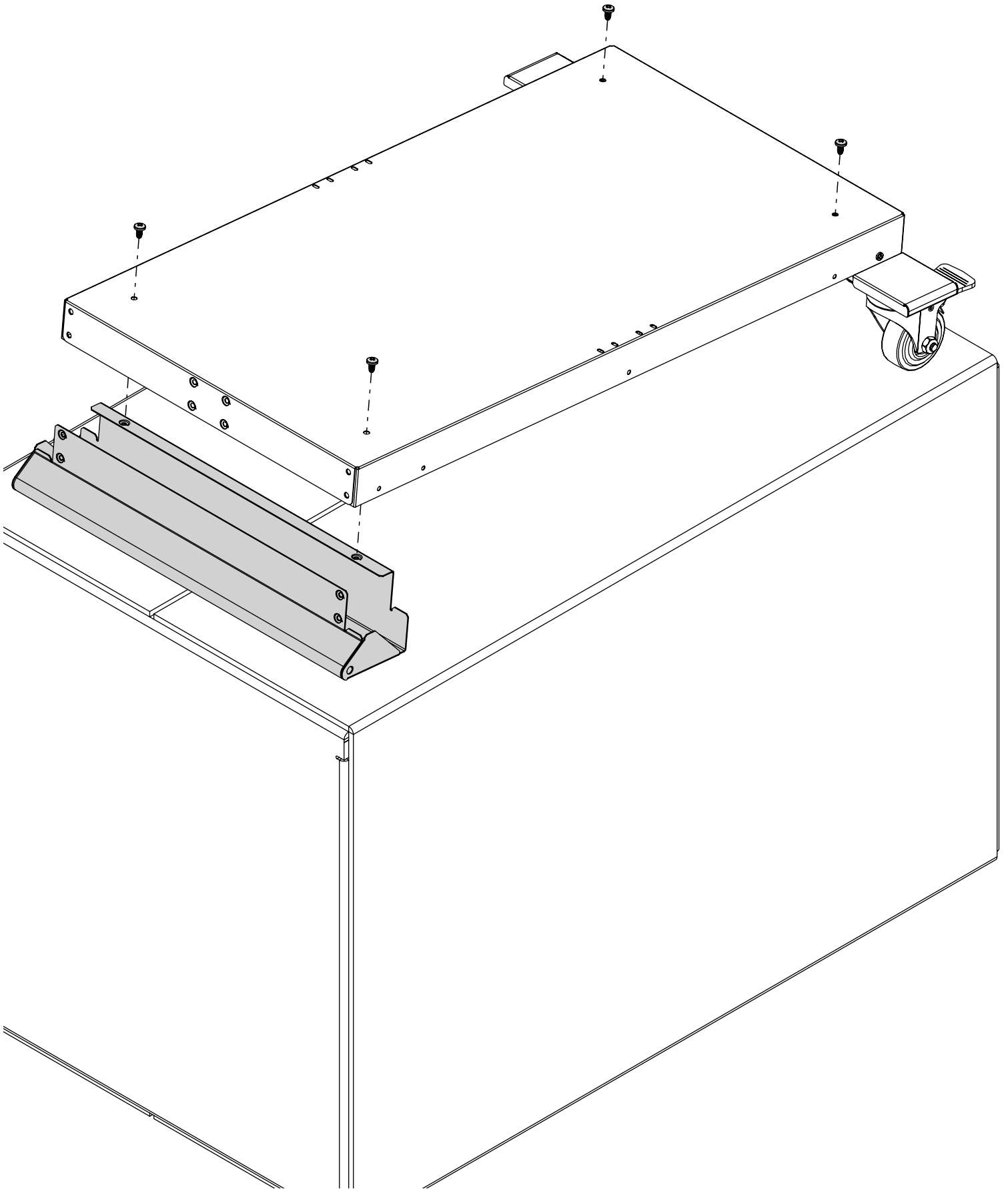
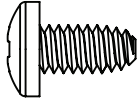
2

(2) 

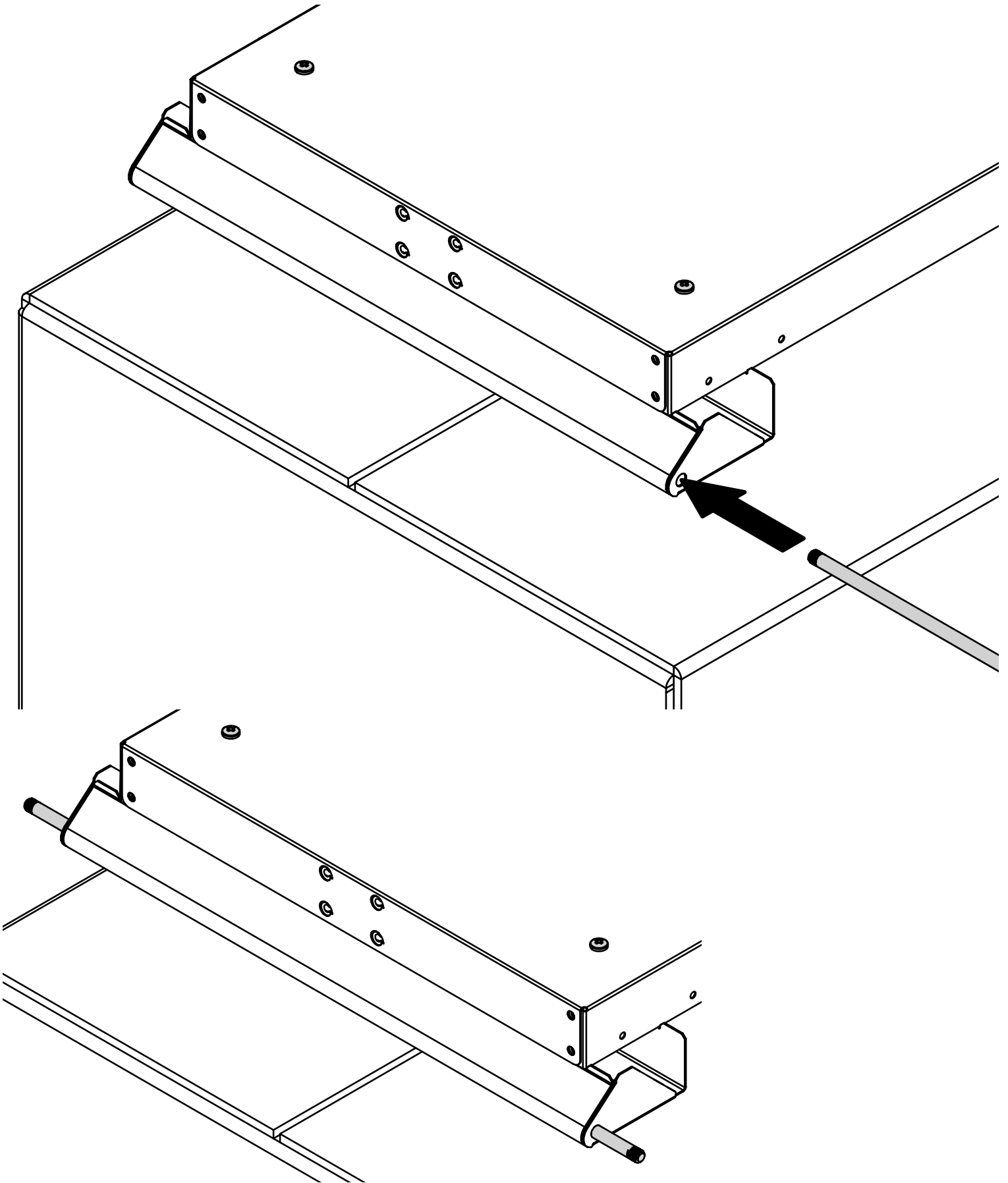
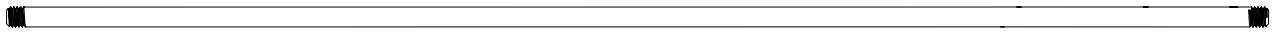


3

(4)

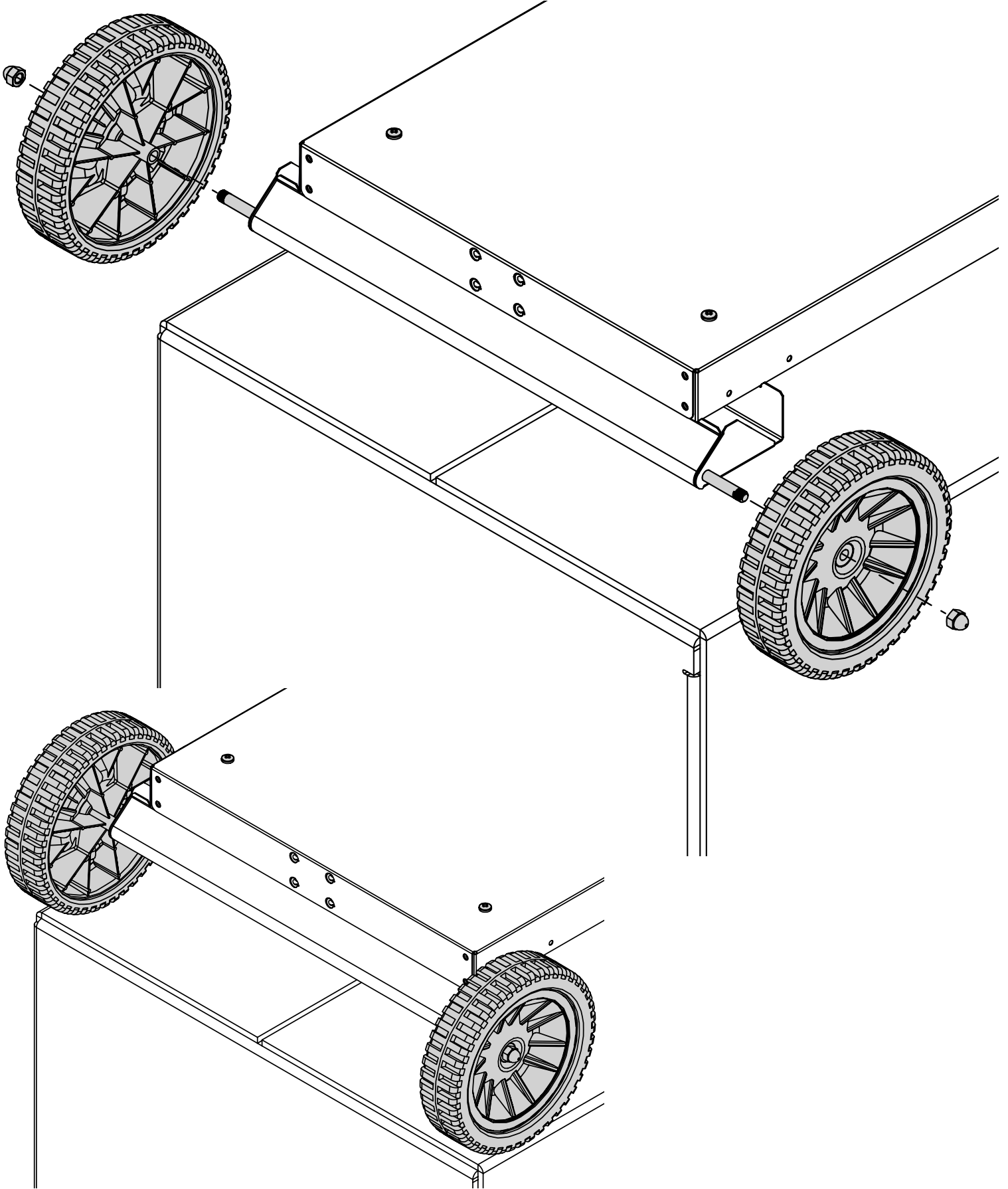
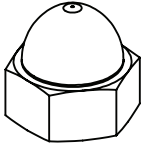


4



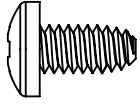
5

(2)

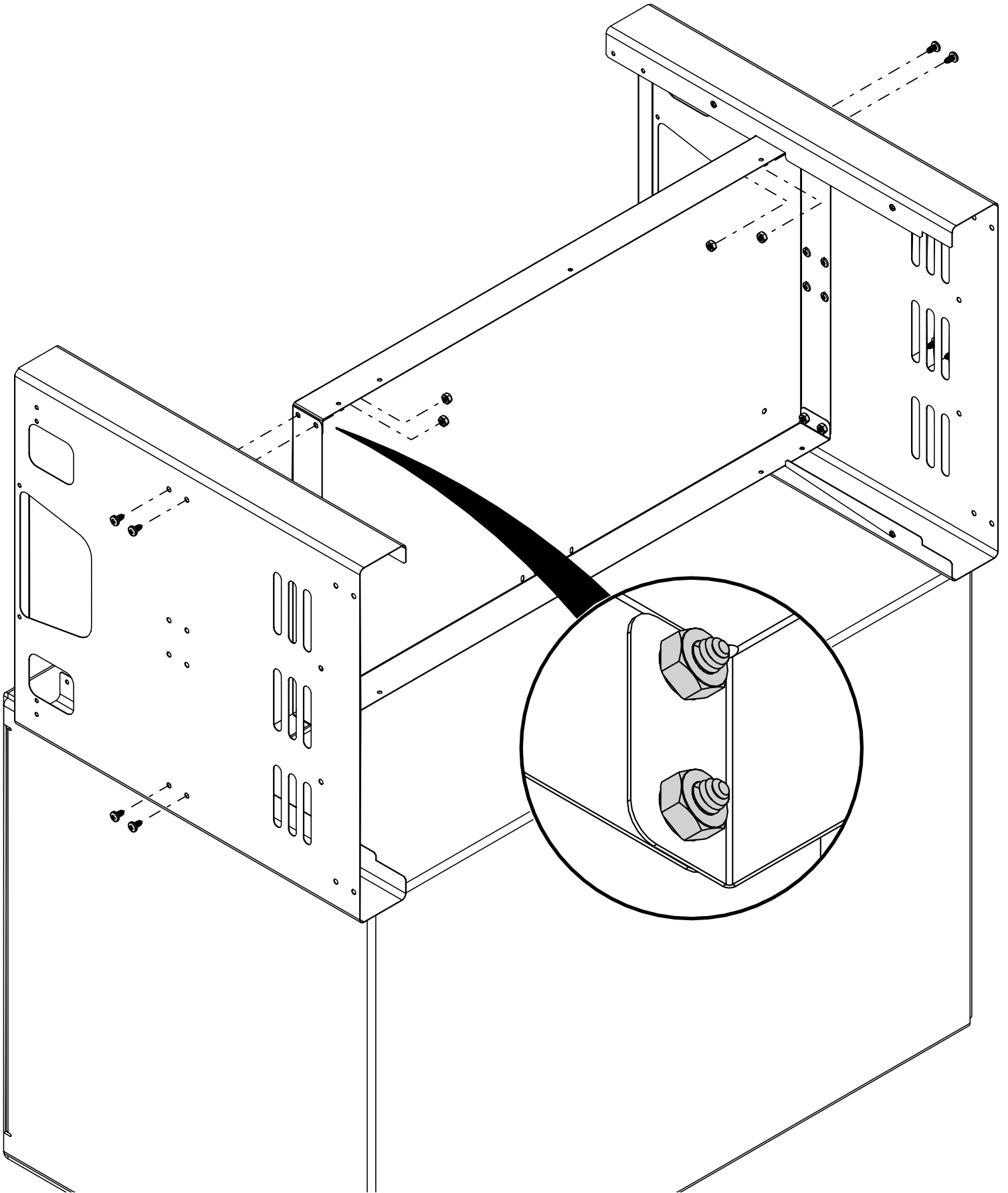


6

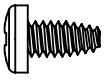
(8)

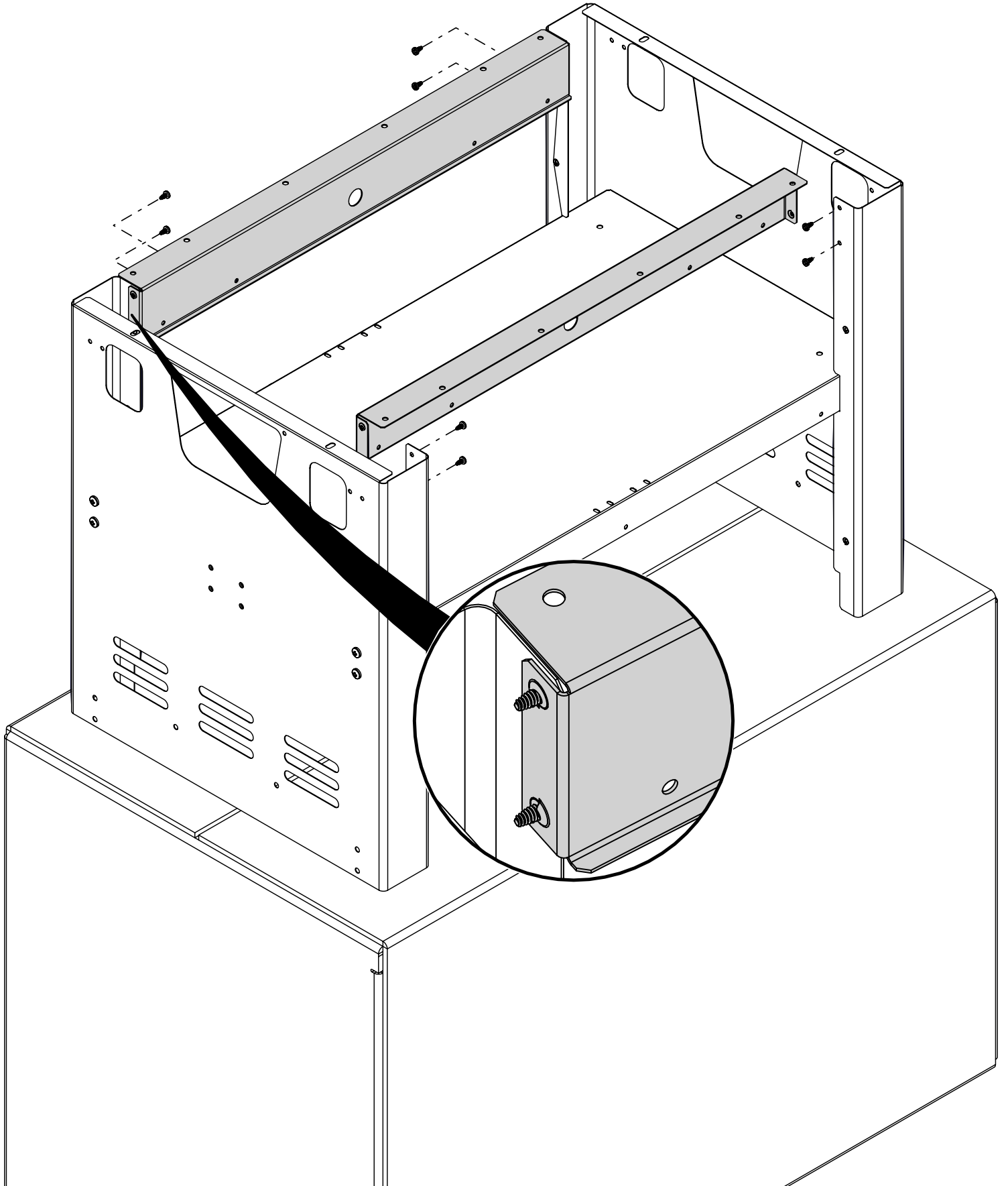


(8)

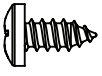


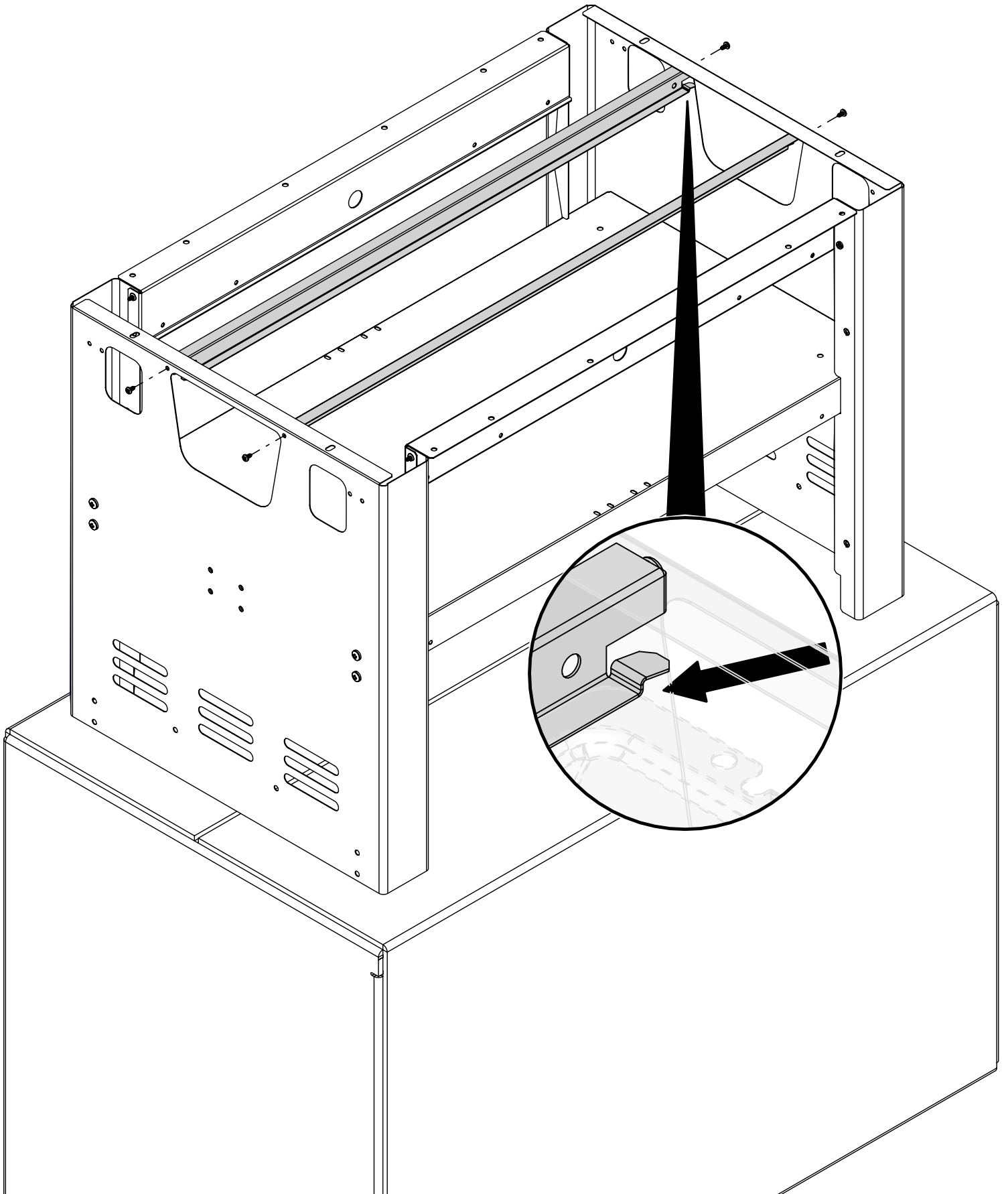
7

(8) 



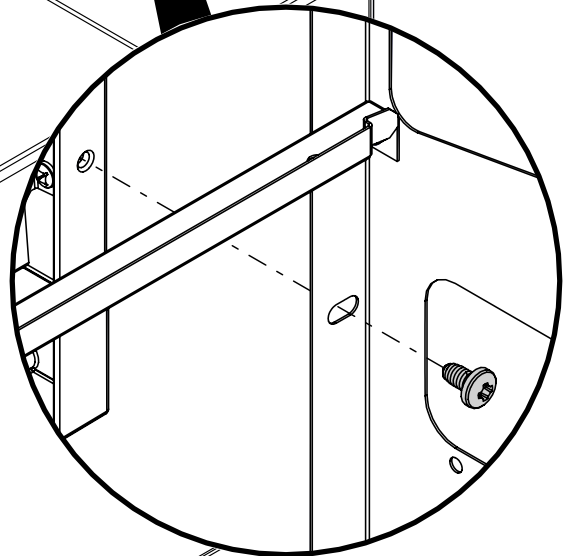
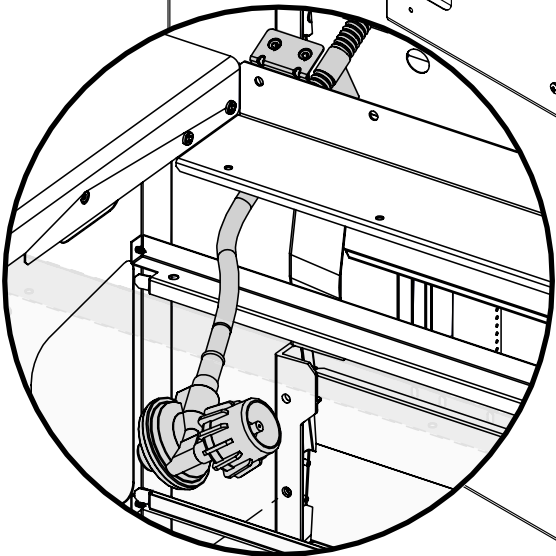
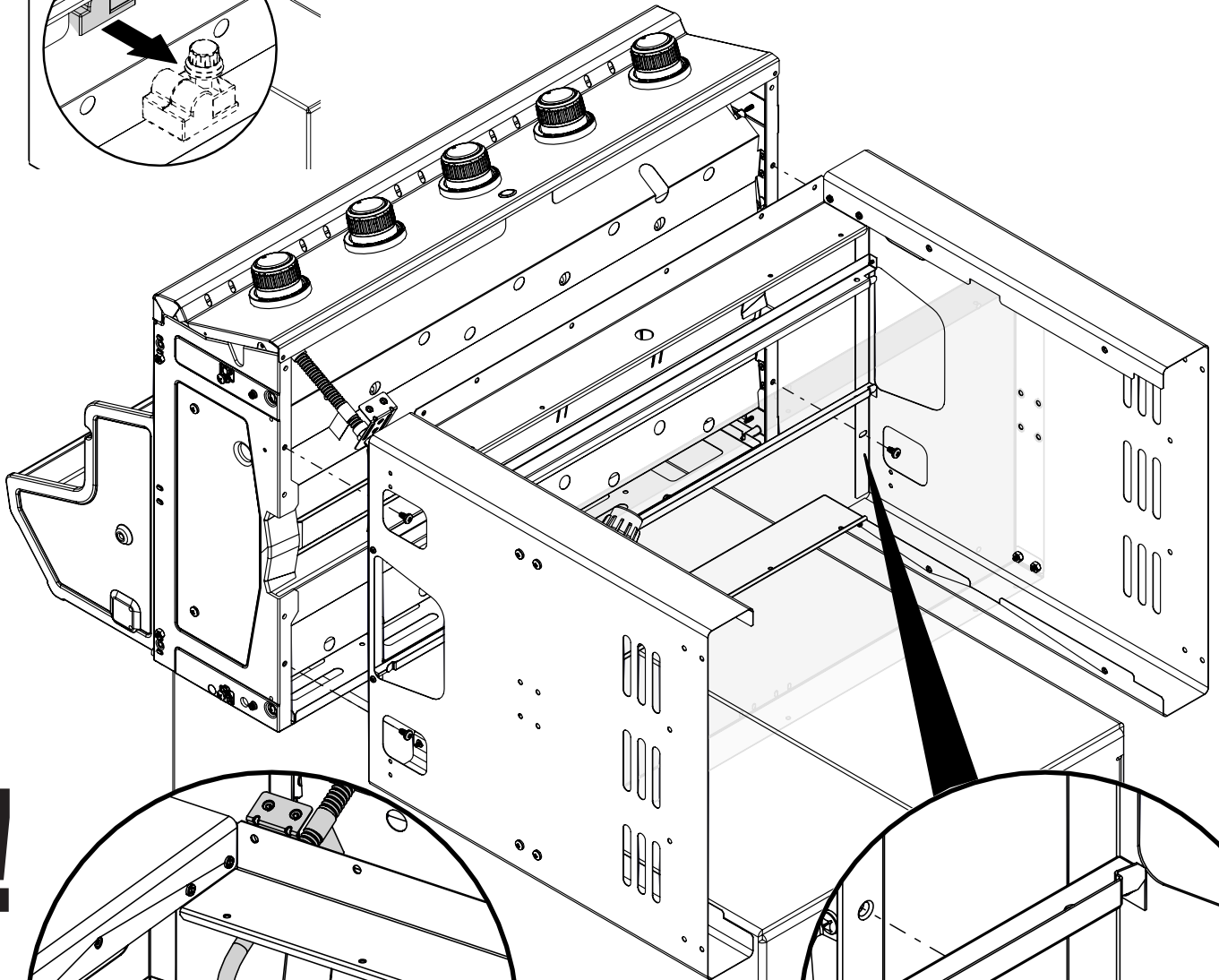
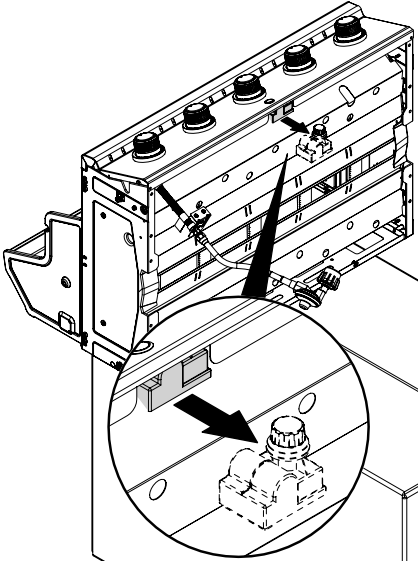
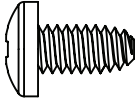
8

(4) 

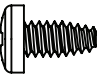


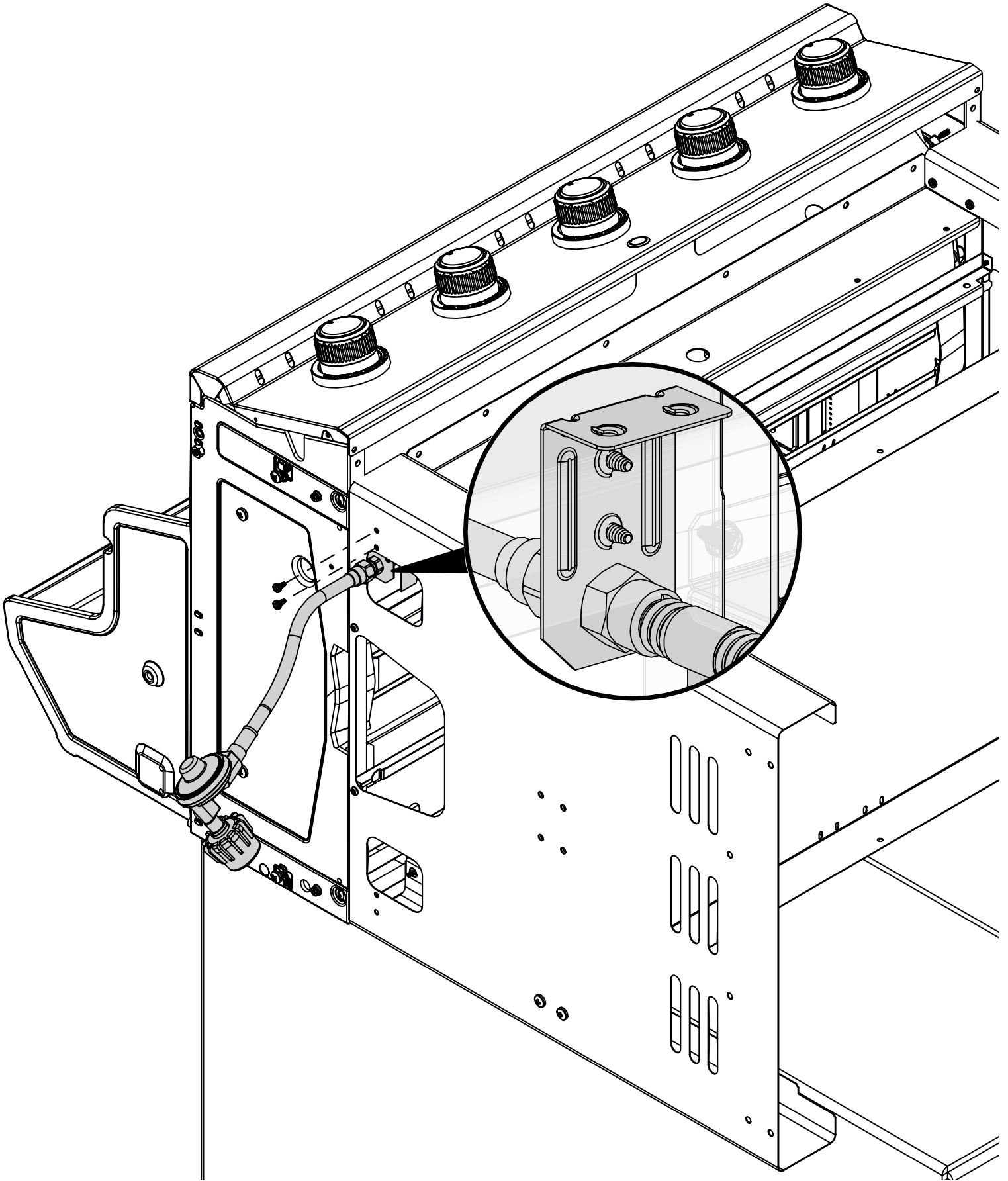
9

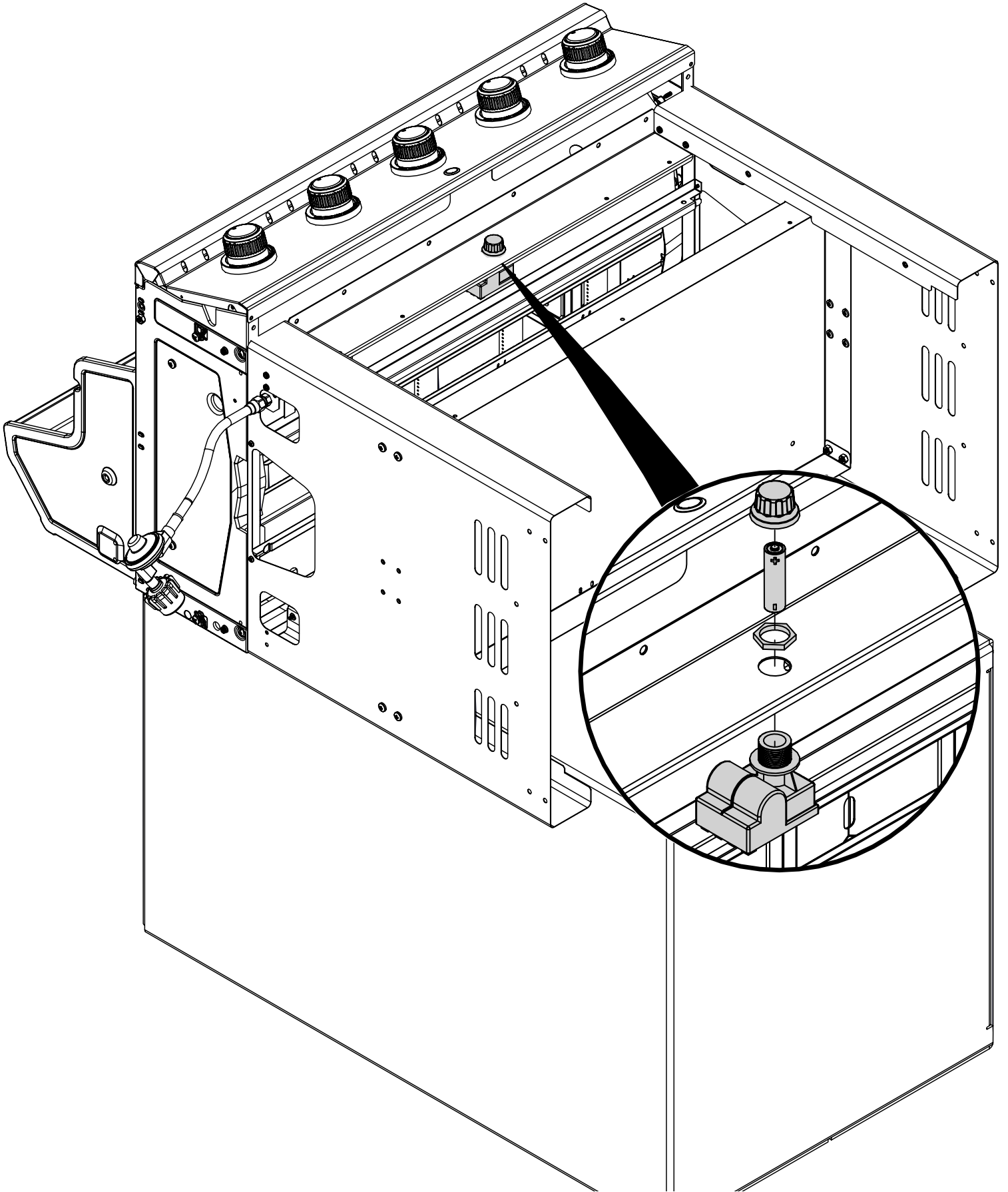
(4)



10

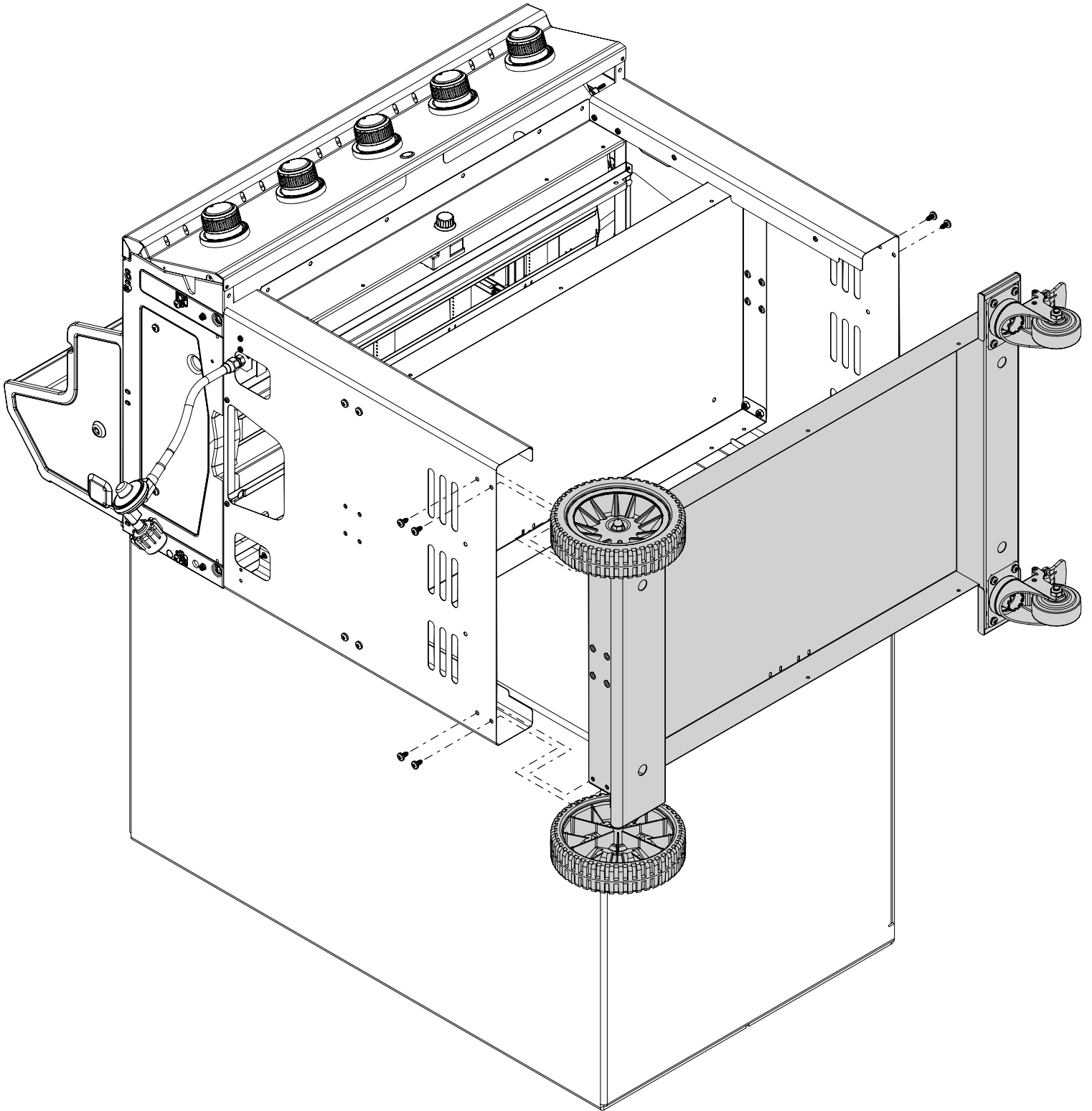
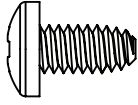
(2) 

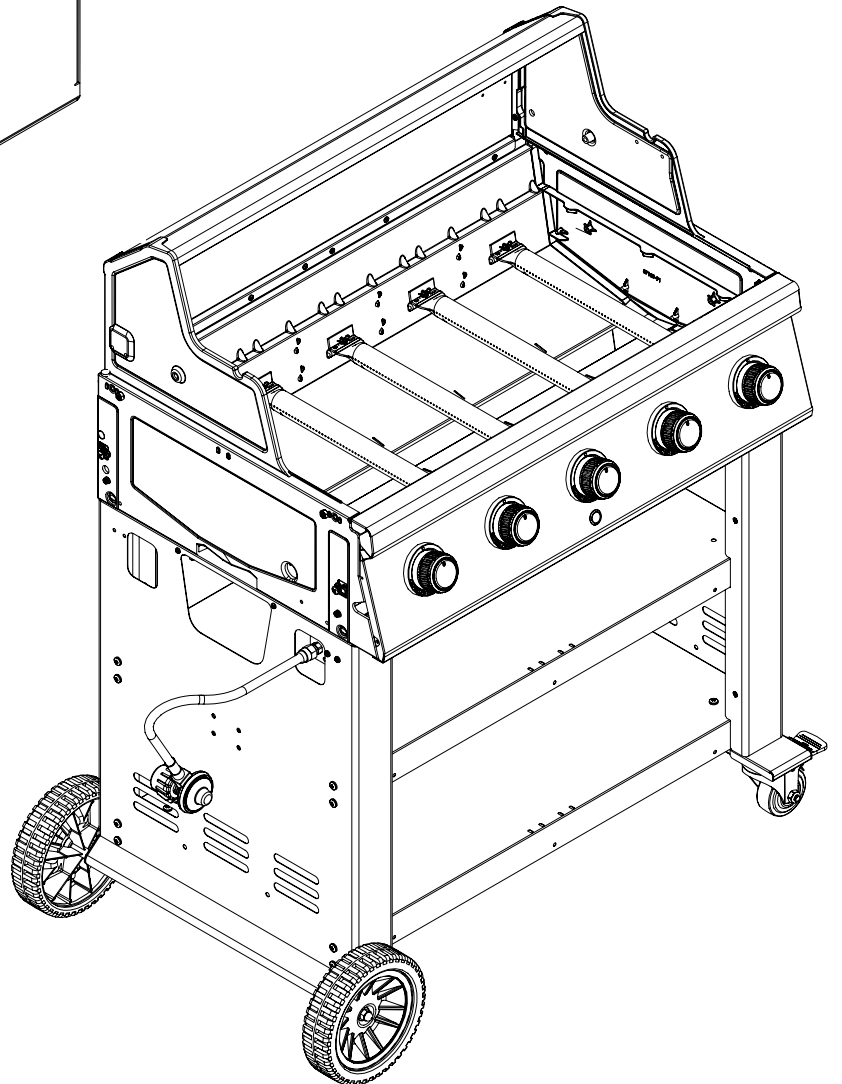
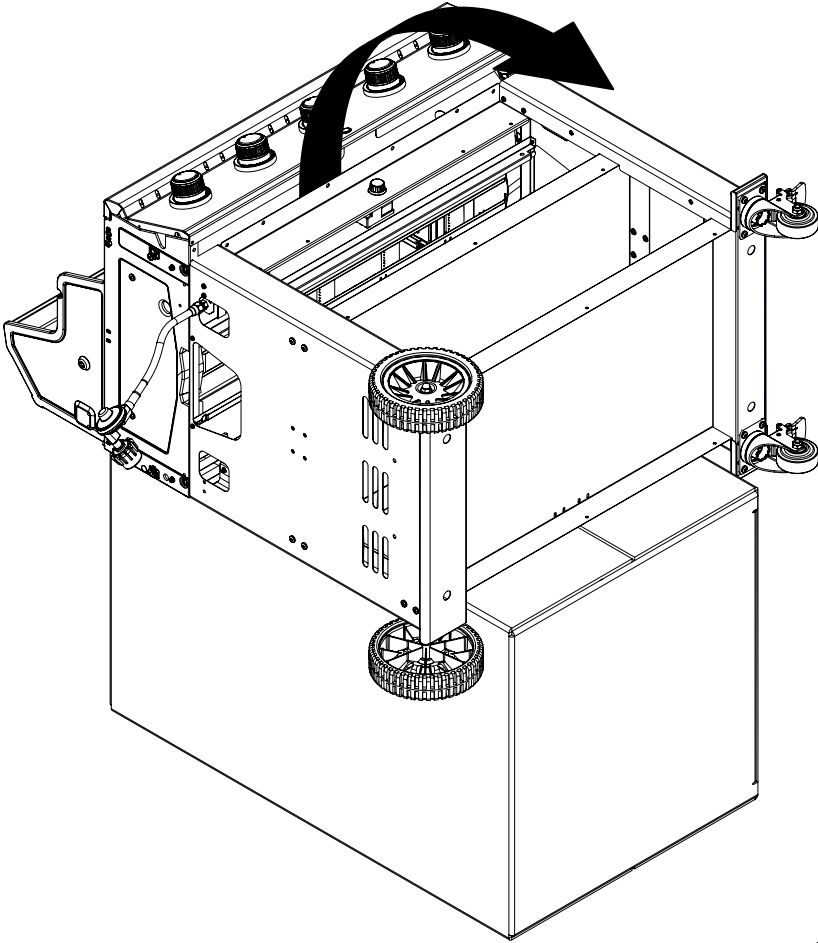





12

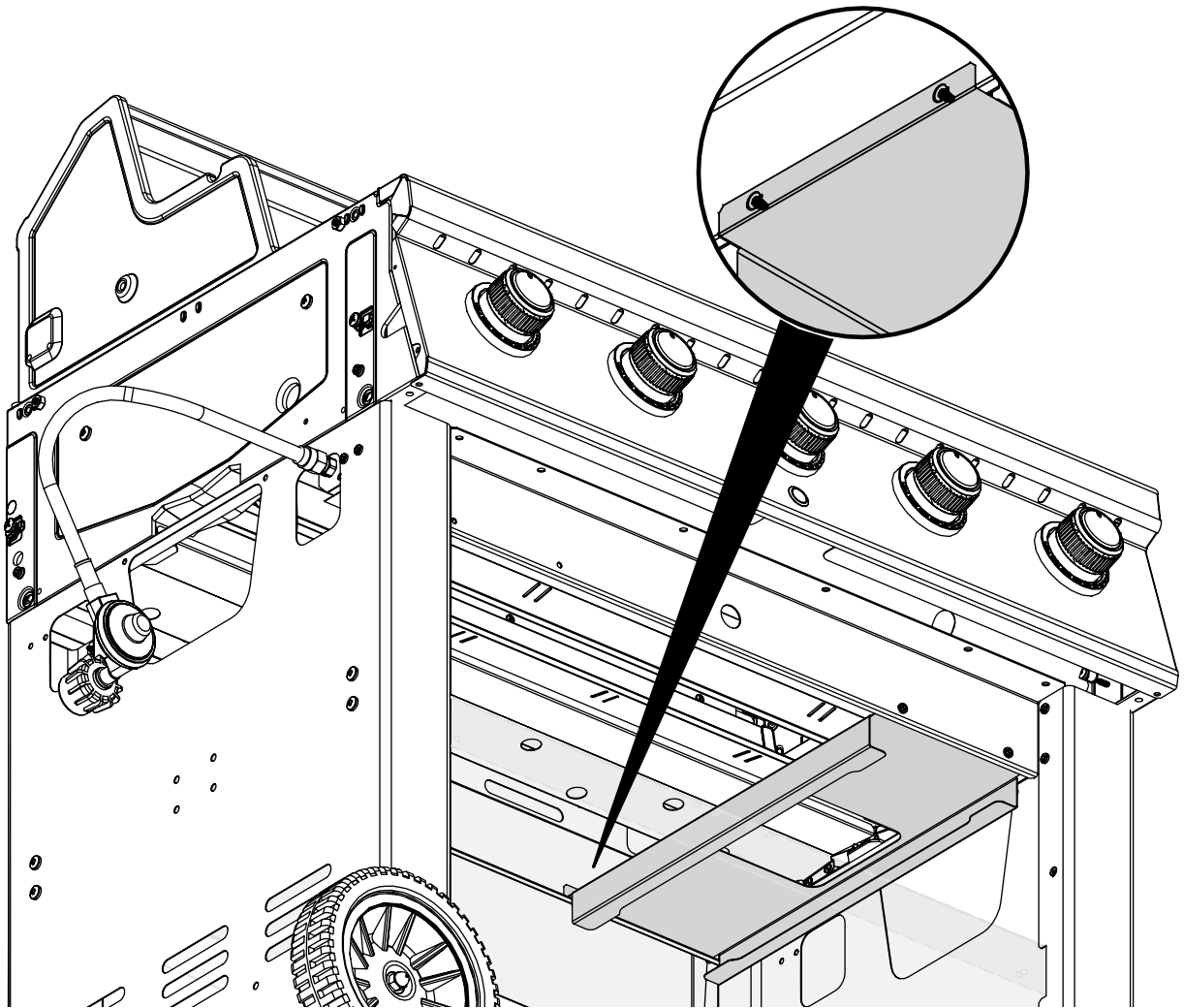
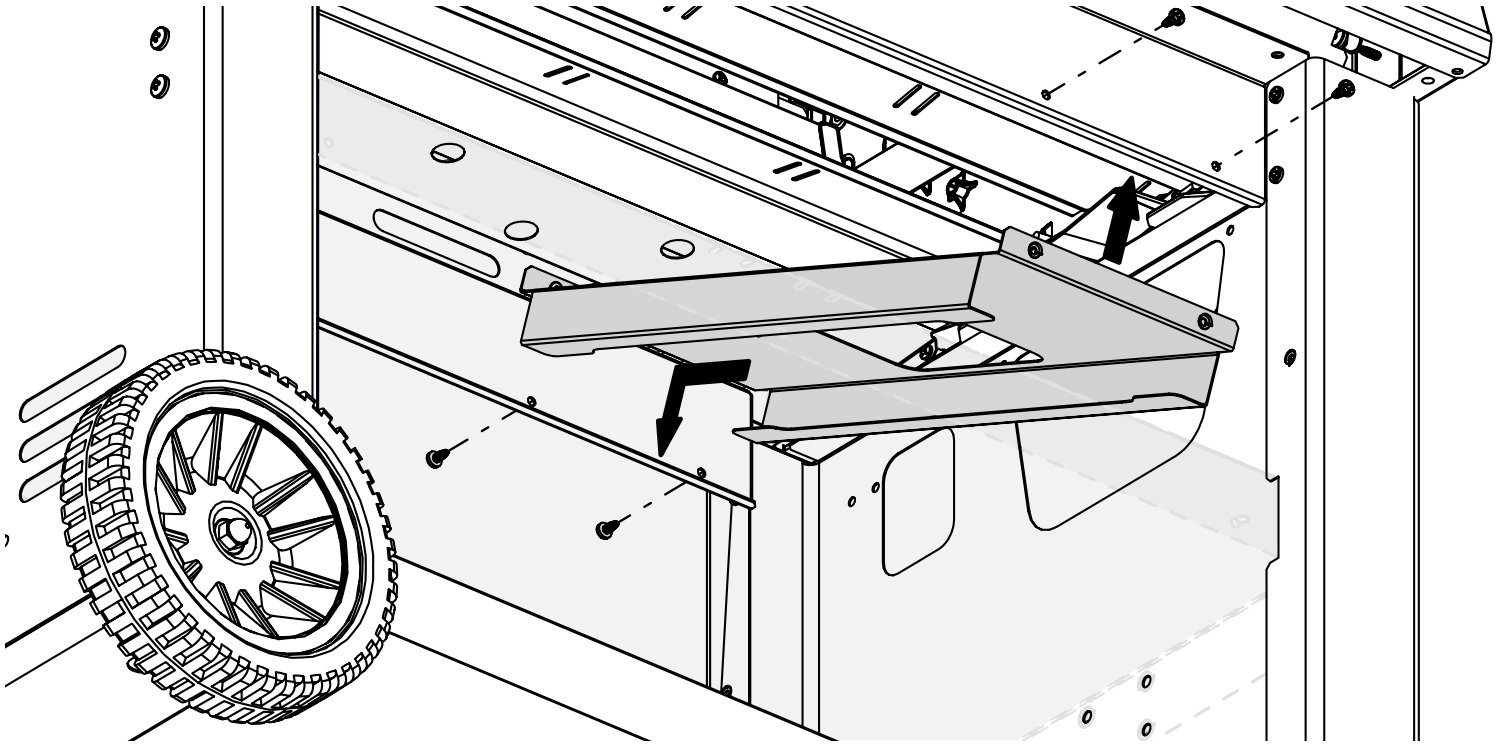
(8)





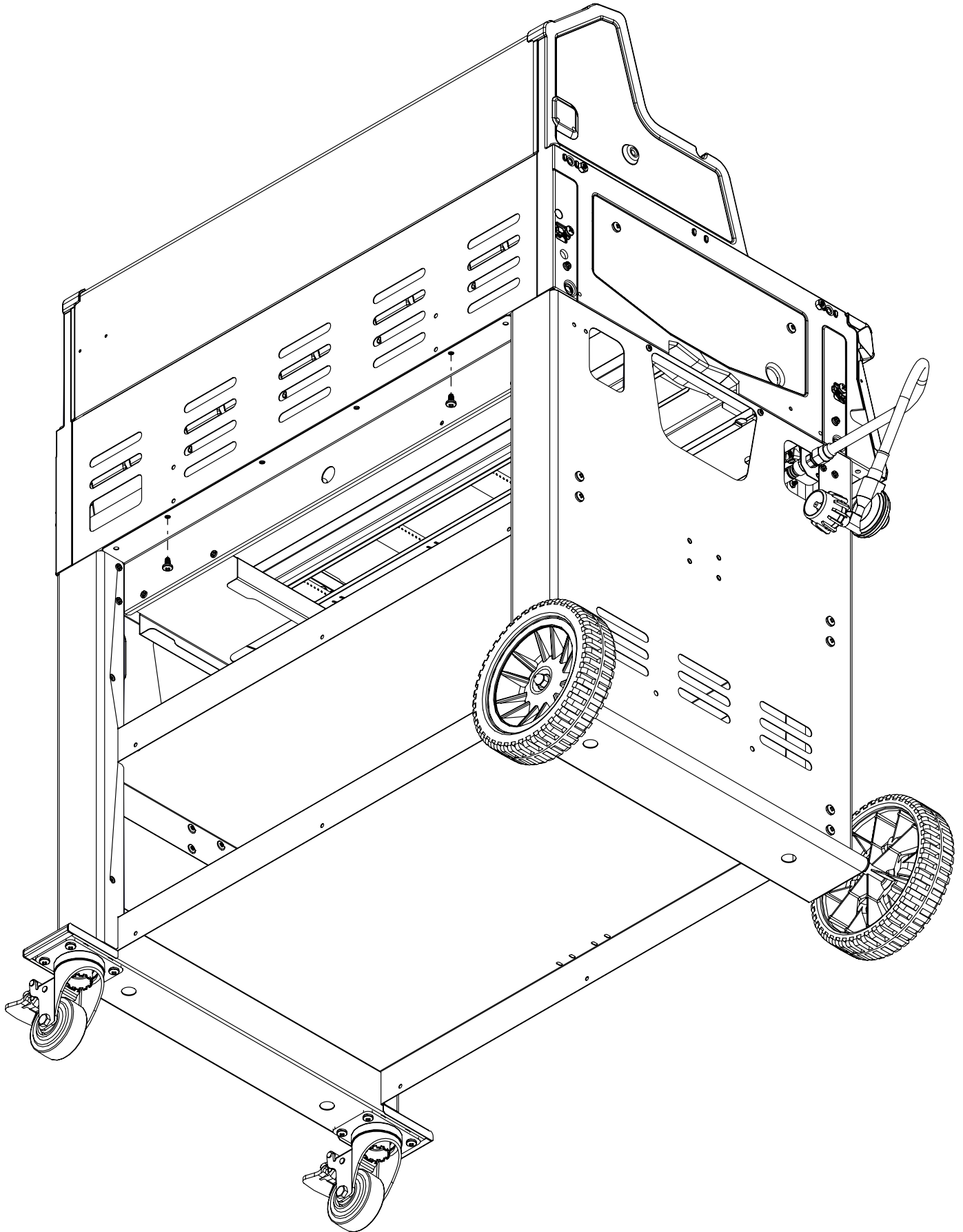
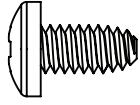
14

(4) 



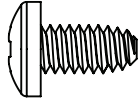
15

(2)

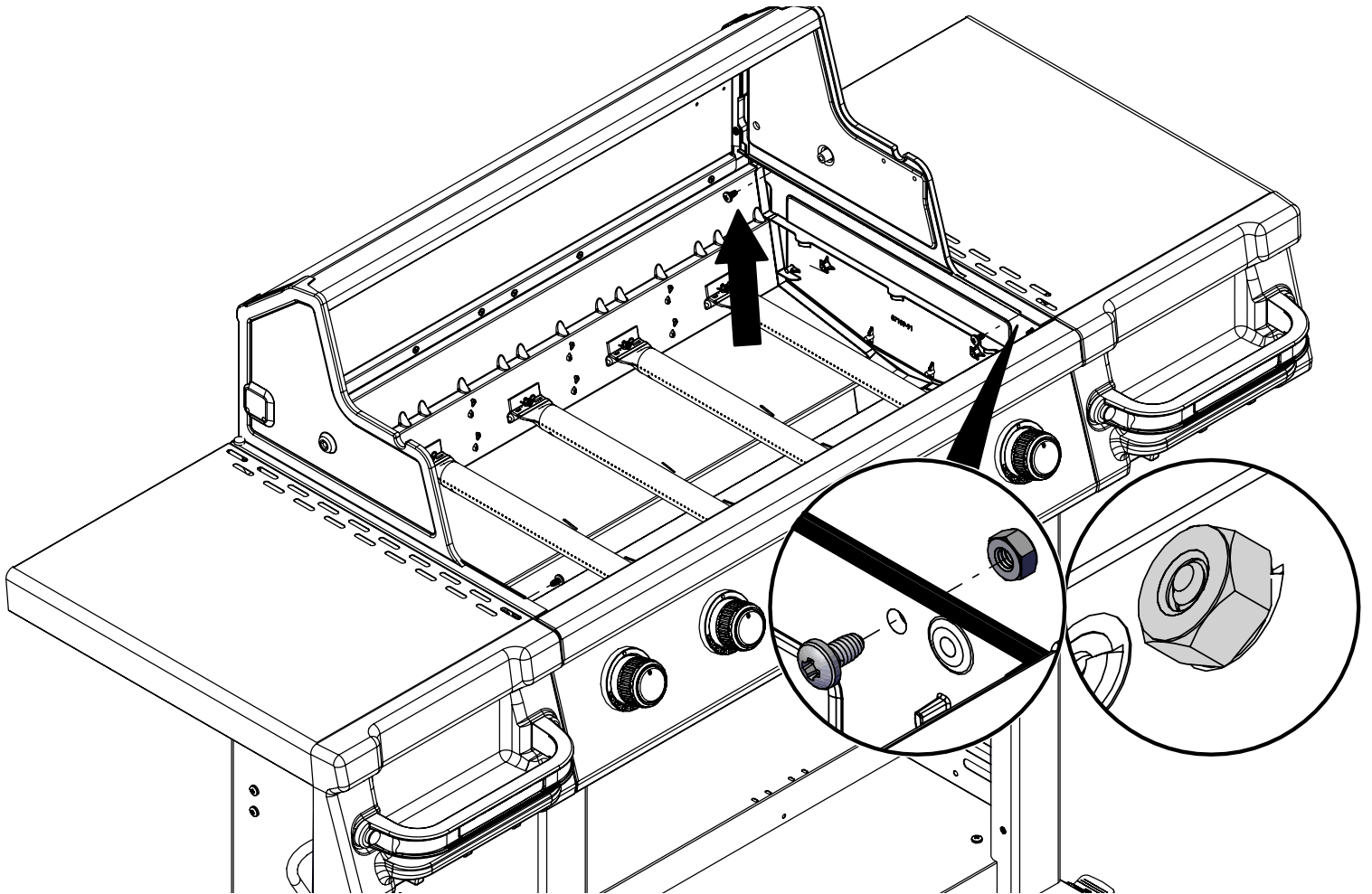
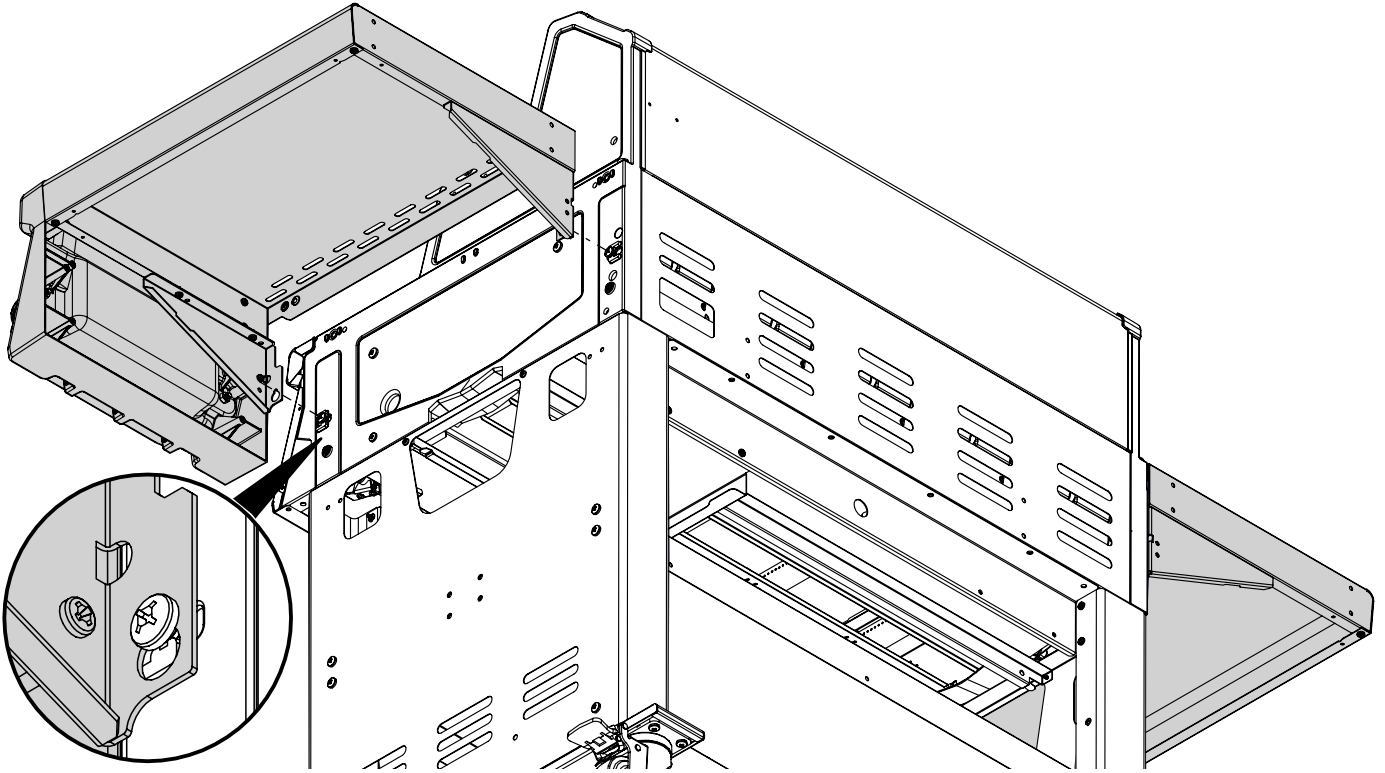
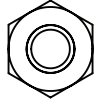


16

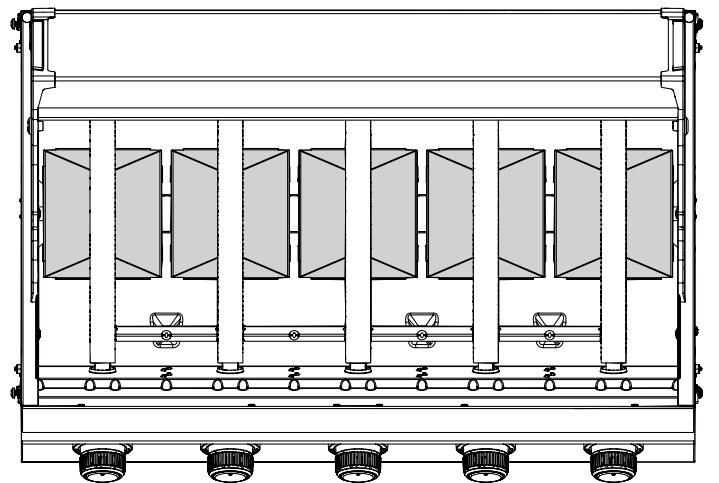
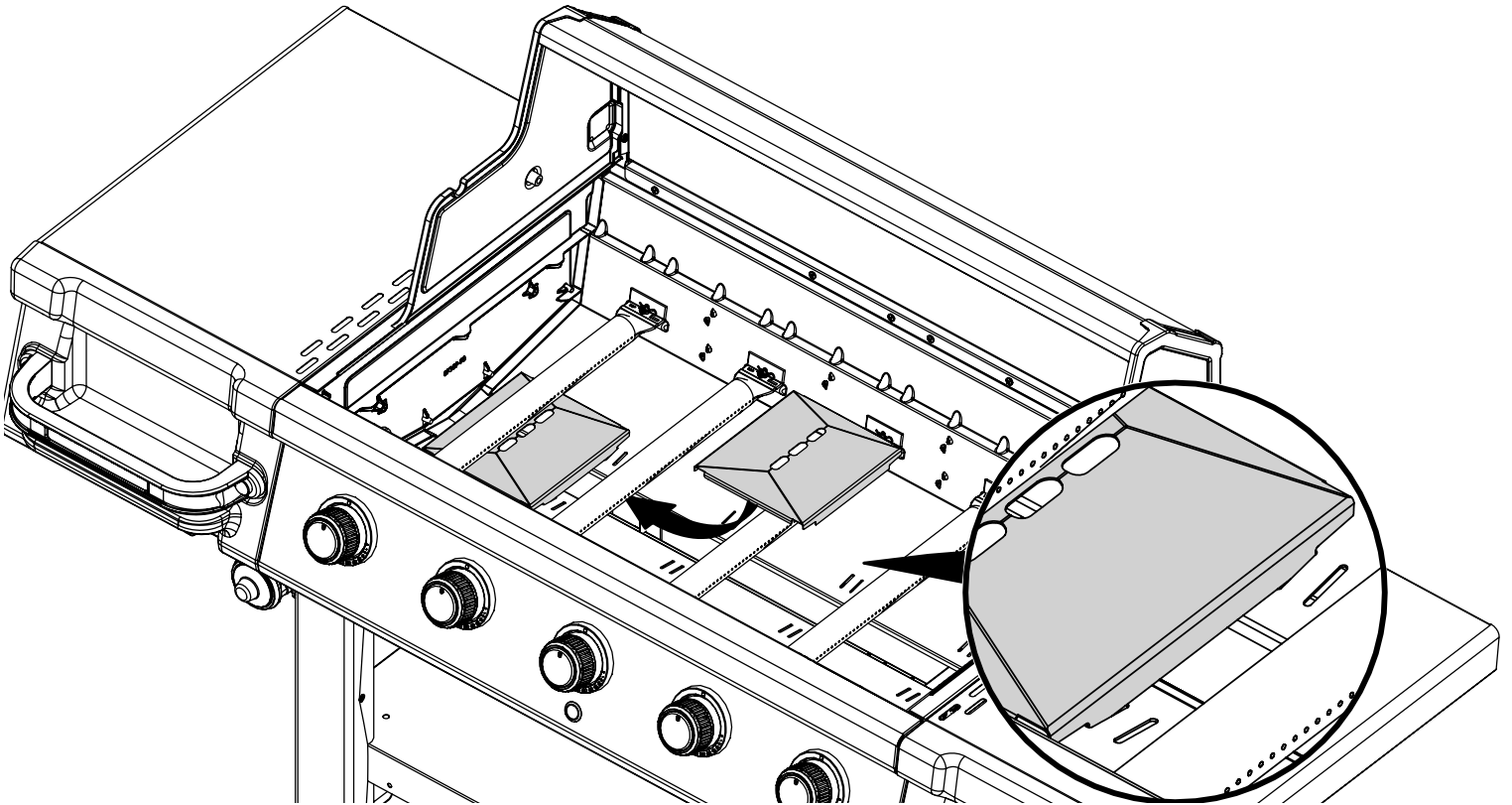
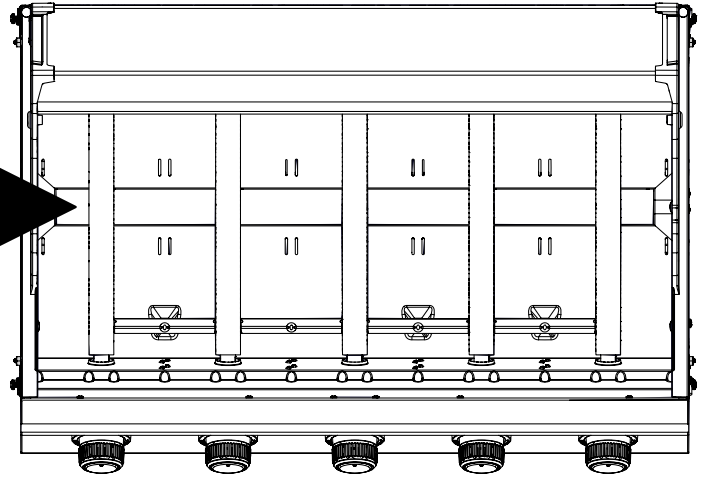
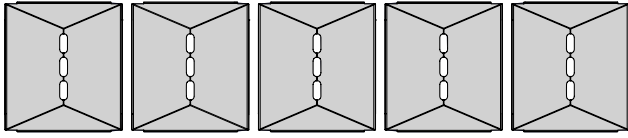
(4)

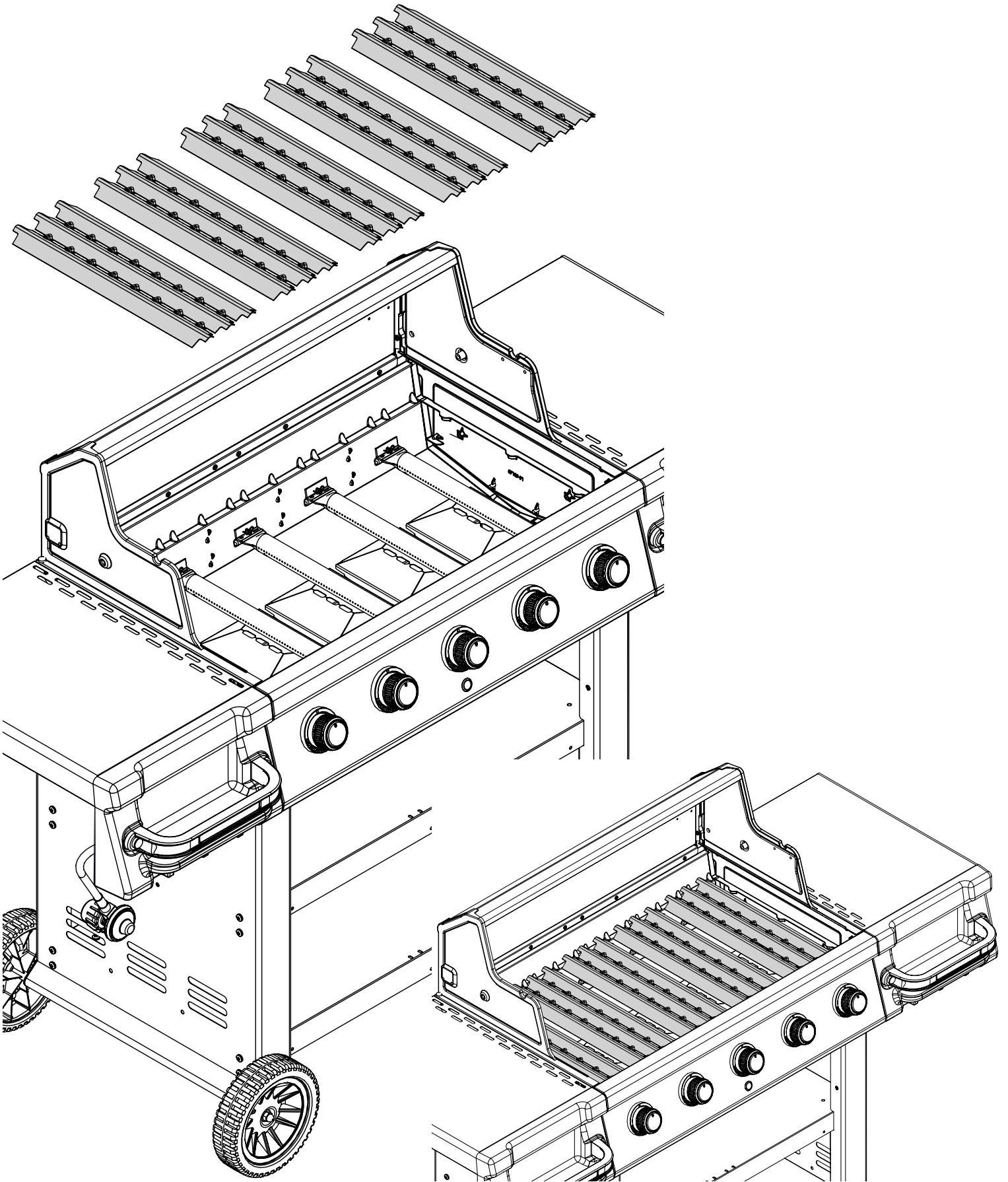


(4)

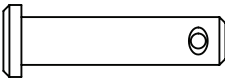
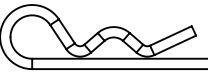


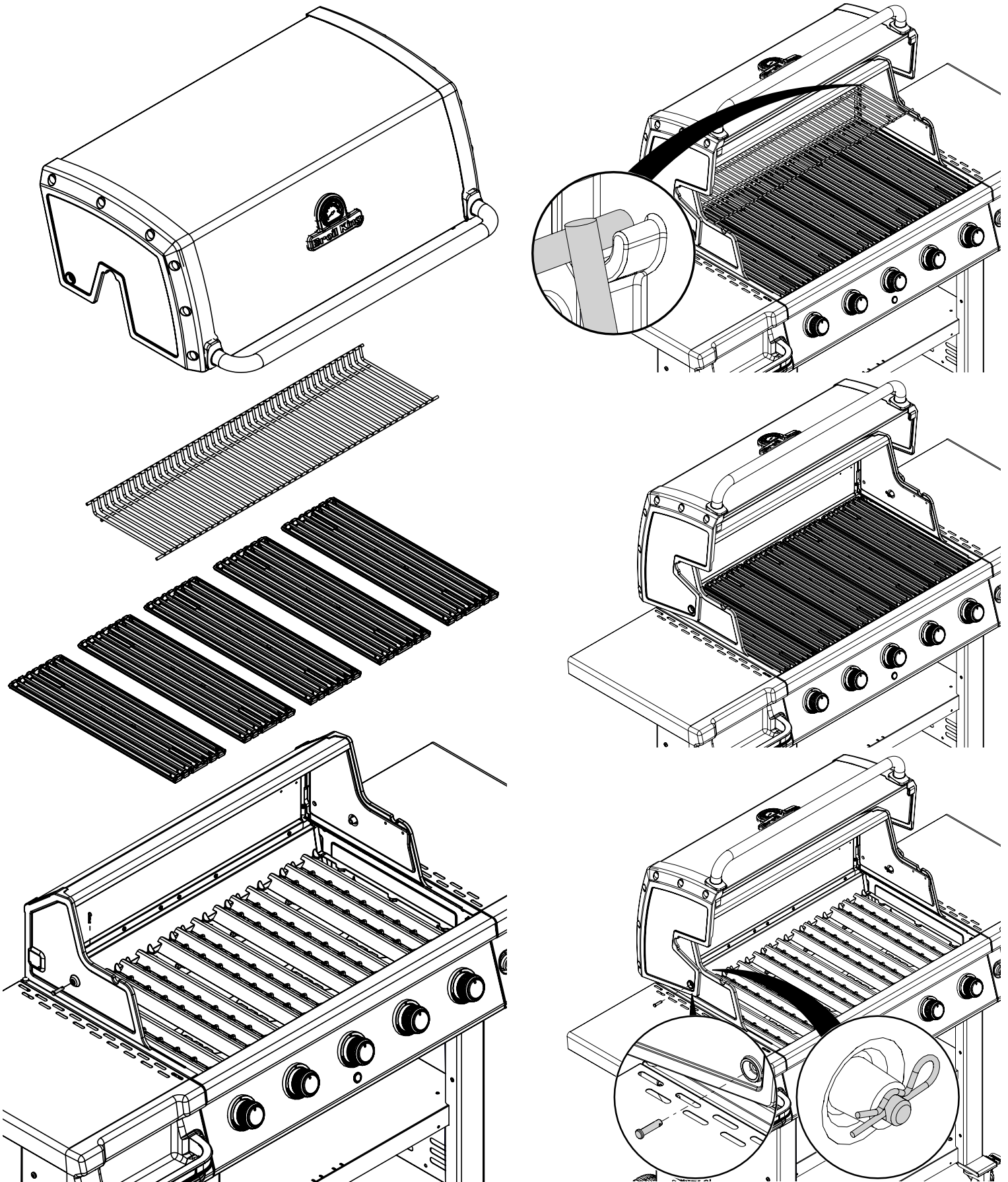
17

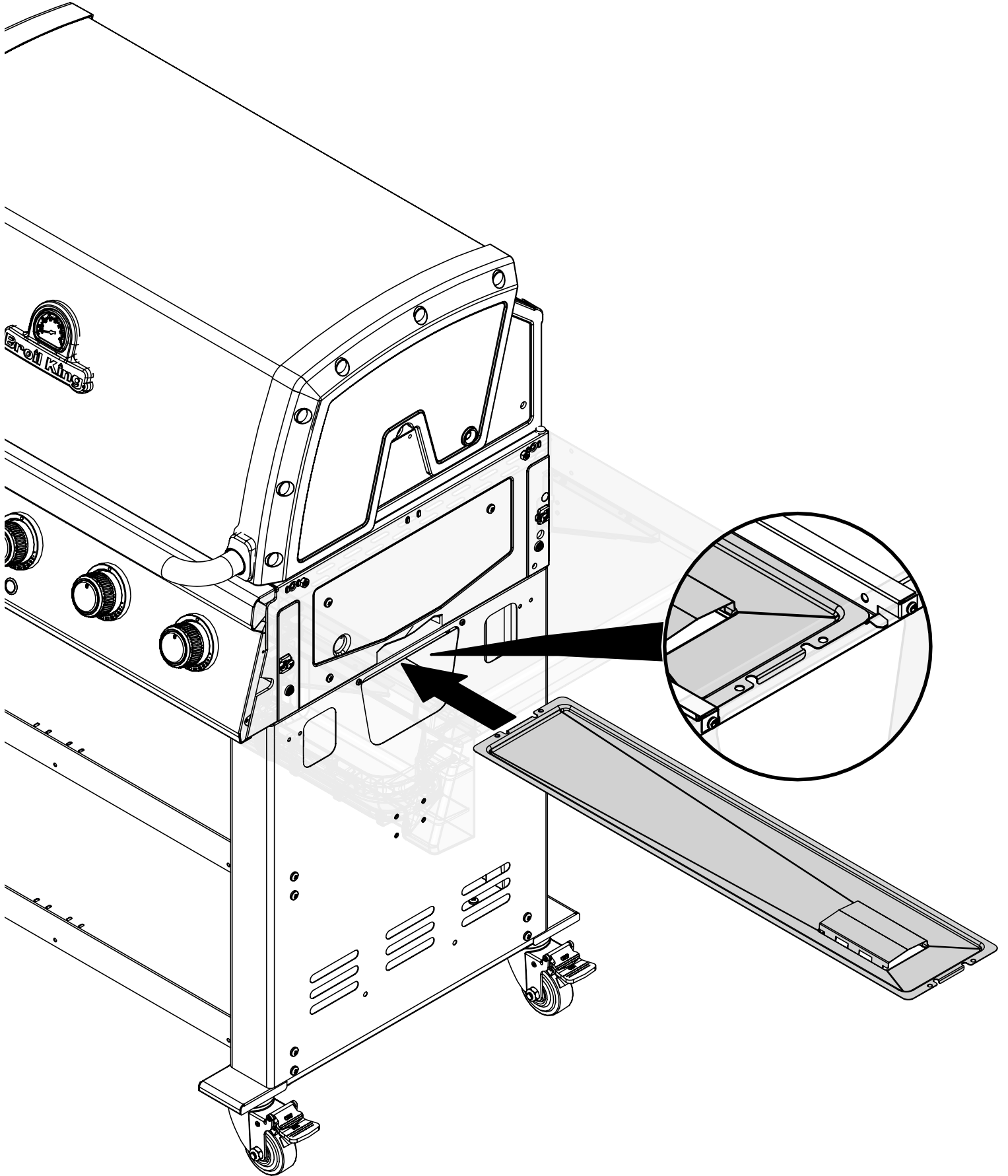


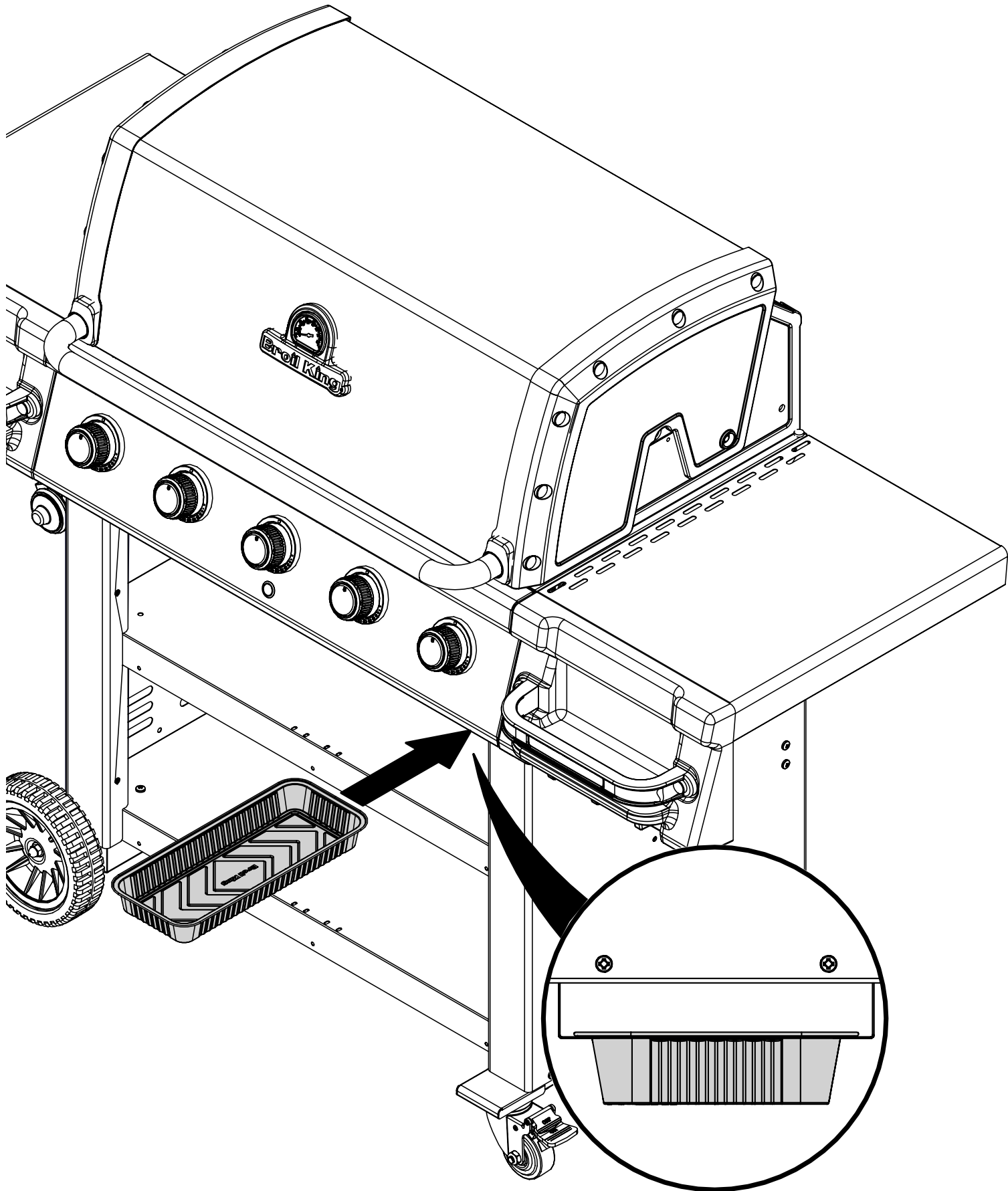


19

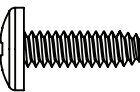
(2)  (2) 

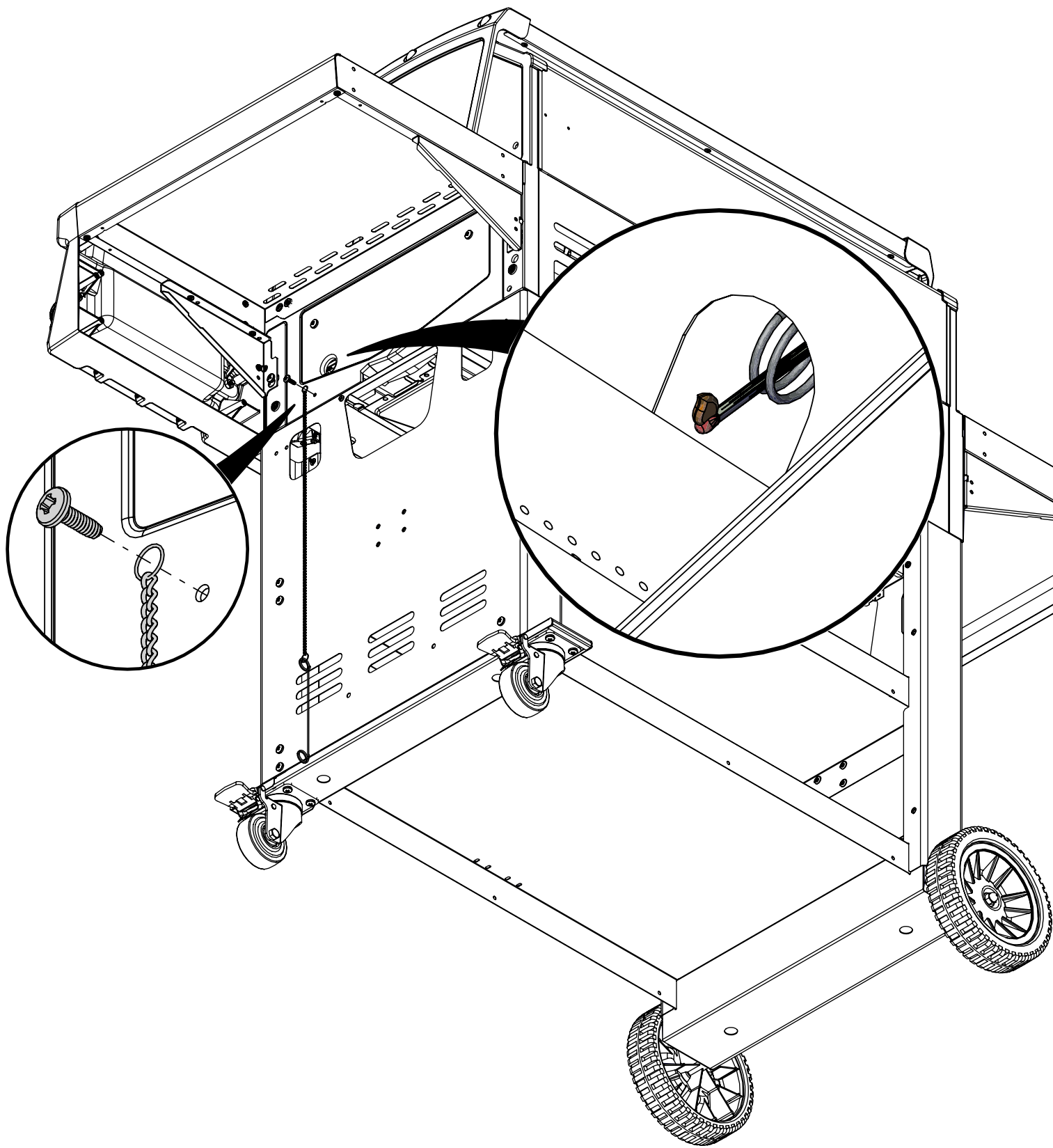




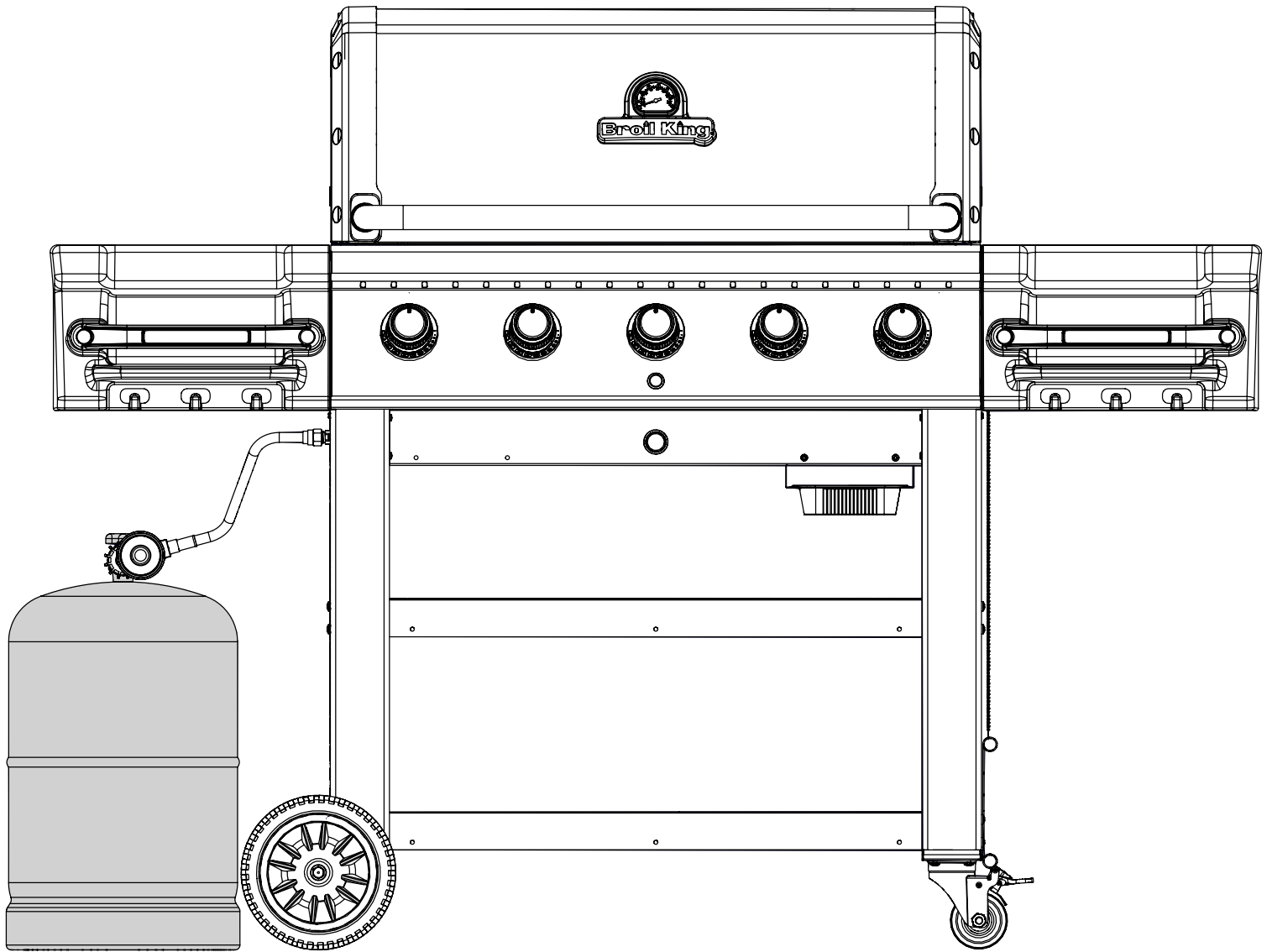
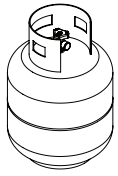


22

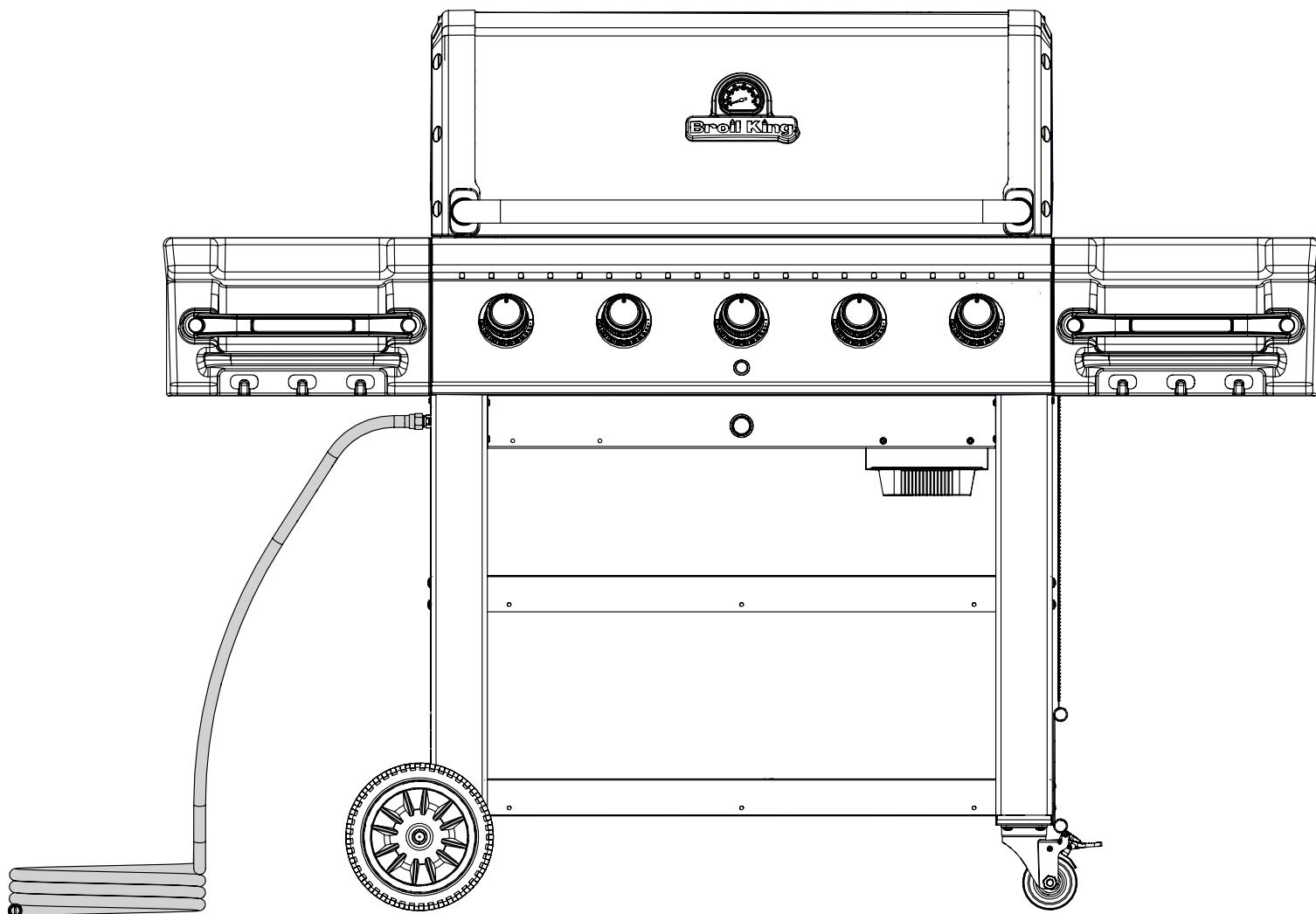
(1)  (1)



23



24



PARTS LIST / LISTE DES PIECES / LISTA DE PARTES

<u>KEY #</u>	<u>ITEM #</u>	<u>DESCRIPTION</u>	<u>8851-52</u>	<u>8851-53</u>	<u>8851-56</u>	<u>8861-52</u>	<u>8861-53</u>	<u>8861-56</u>
1	27005-003	FIRE BOX ASSEMBLY	1	1	1	•	•	•
	27006-003	FIRE BOX ASSEMBLY	•	•	•	1	1	1
2	86005-303	LID ASSEMBLY	1	1	1	•	•	•
	86006-303	LID ASSEMBLY	•	•	•	1	1	1
5	27249-904	GREASE SHIELD	4	4	4	5	5	5
7	Y-11544S	SCREW - BURNER	4	4	4	5	5	5
8	S21242	BURNER CLIP	4	4	4	5	5	5
18	22005-283	GRID	4	4	4	5	5	5
20	22005-991	GRID - WARMING RACK	1	1	1	•	•	•
	22006-991	GRID - WARMING RACK	•	•	•	1	1	1
22	22025-904	COLLECTOR BOX	1	1	1	•	•	•
	22026-904	COLLECTOR BOX	•	•	•	1	1	1
25	22909-104D	BURNER	4	•	•	5	•	•
	22909-104E	BURNER	•	4	4	•	5	5
26	22001-768	CONTROL KNOB	4	4	4	5	5	5
27	22002-264	CONTROL BEZEL	4	4	4	5	5	5
28	22005-413	CONTROL COVER	1	1	1	•	•	•
	22006-413	CONTROL COVER	•	•	•	1	1	1
32	10111-15A	HOSE	1	1	1	1	1	1
35	29005-012	CONTROL ASSEMBLY	1	•	•	•	•	•
	29005-015	CONTROL ASSEMBLY	•	1	•	•	•	•
	29005-016	CONTROL ASSEMBLY	•	•	1	•	•	•
	29006-012	CONTROL ASSEMBLY	•	•	•	1	•	•
	29006-015	CONTROL ASSEMBLY	•	•	•	•	1	•
	29006-016	CONTROL ASSEMBLY	•	•	•	•	•	1
42	10342-E22	ELECTRODE	2	2	2	2	2	2
43	10342-E13	ELECTRODE	•	•	•	1	1	1
44	10342-42	ELECTRONIC IGNITOR	1	1	1	•	•	•
	10342-43	ELECTRONIC IGNITOR	•	•	•	1	1	1
44A	25070-92	WIRE - IGNITOR	1	1	1	1	1	1
	25070-93	BUTTON - IGNITOR	1	1	1	1	1	1
46	10892-8NG	WHEEL	2	2	2	2	2	2
47	21035-991	GREASE RAIL	2	2	2	•	•	•
	21036-991	GREASE RAIL	•	•	•	2	2	2
48	50419	GREASE PAN	1	1	1	1	1	1
49	27055-901	GREASE TRAY	1	1	1	•	•	•
	27056-901	GREASE TRAY	•	•	•	1	1	1
51	22209-903	FLAV-R-WAVE™	4	4	4	5	5	5
56	24005-12A	HANDLE	1	1	1	•	•	•
	24006-12A	HANDLE	•	•	•	1	1	1
58	54009-936	BEZEL	2	2	2	2	2	2
59	10081-BK630	NAMEPLATE	1	1	1	1	1	1

PARTS LIST / LISTE DES PIECES / LISTA DE PARTES

<u>KEY #</u>	<u>ITEM #</u>	<u>DESCRIPTION</u>	<u>8851-52</u>	<u>8851-53</u>	<u>8851-56</u>	<u>8861-52</u>	<u>8861-53</u>	<u>8861-56</u>
60	10571-6	HEAT INDICATOR	1	1	1	1	1	1
65	20005-000	MATCH LIGHT - STICK	1	1	1	1	1	1
72	Y-12282	NUT 3/8-16 ACORN	2	2	2	2	2	2
78	51035-213	BRACKET	2	2	2	•	•	•
	51036-213	BRACKET	•	•	•	2	2	2
80	21189-283	SIDE PANEL	2	2	2	2	2	2
82	51039-943	CASTOR BRACKET CAP	2	2	2	2	2	2
84	51609-90	AXLE	1	1	1	1	1	1
90	51625-003	BASE	2	2	2	•	•	•
	51626-003	BASE	•	•	•	2	2	2
100	21639-003	CASTOR BRACKET	1	1	1	1	1	1
101	51039-003	WHEEL BRACKET	1	1	1	1	1	1
102	10184-E541A	CASTOR	2	2	2	2	2	2
114	23101-113	SHELF - RIGHT	1	1	1	1	1	1
115	23101-133	SHELF - LEFT	1	1	1	1	1	1
124	52049-91	SHIELD - GREASE TRAY	1	1	1	1	1	1
125	22059-103	GREASE RAIL	1	1	1	1	1	1
140	S21125S	SCREW #8 X 3/8	4	4	4	4	4	4
141	Y-11559	BOLT 1/4-20 X 1	2	2	2	2	2	2
145	S21235	HINGE PIN	2	2	2	2	2	2
146	S21233	HITCH PIN CLIP	2	2	2	2	2	2
147	Y-11231	LID BUMPER	2	2	2	2	2	2
156	Y-11793	NUT 1/4-20	12	12	12	12	12	12
159	Y-12127S	SCREW #8-32 X 7/16	8	8	8	10	10	10
160	Y-29304S	SCREW #10-24 X 3/8	16	16	16	16	16	16
163	S35094	SCREW #10-24 X 5/8	1	1	1	1	1	1
186	Y-12865S	SCREW 1/4-20 X 3/4	38	38	38	38	38	38
193	SP11-25	LID BUMPER	2	2	2	2	2	2

