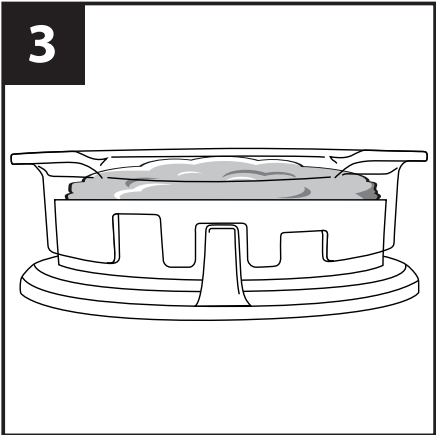
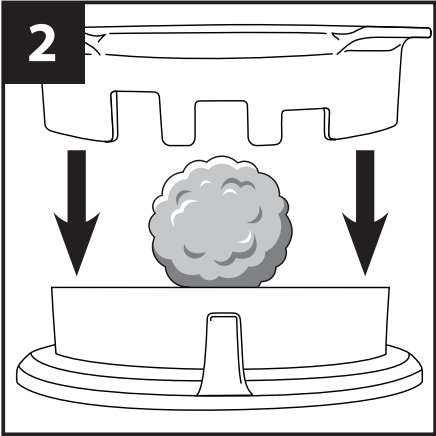
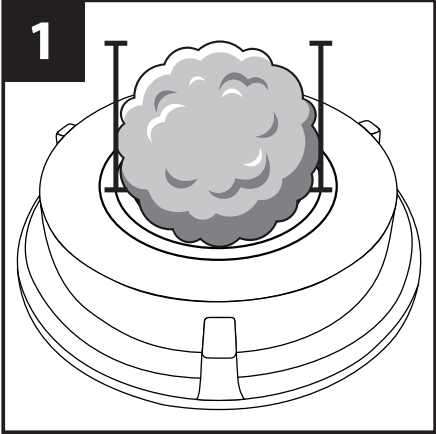
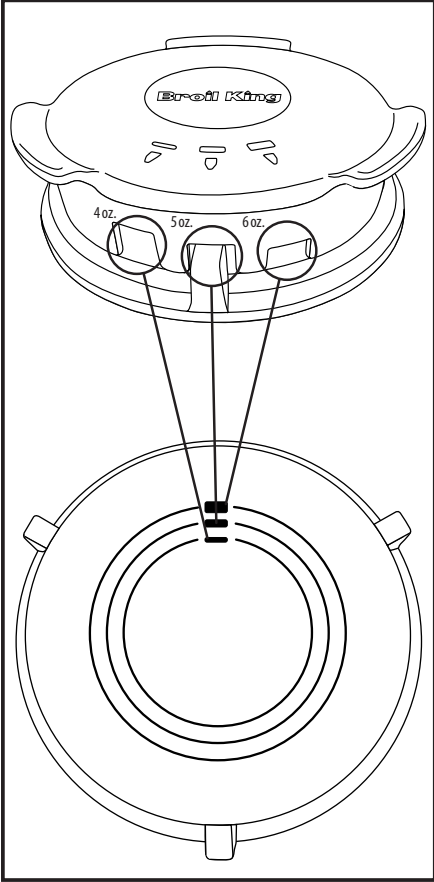


# Broil King®

Great Barbecues Every Time

62475



- 4 oz. ≈ 110g
- 5 oz. ≈ 140g
- 6 oz. ≈ 170g

MADE IN CHINA FOR: | FABRIQUÉ EN CHINE POUR: |  
HECHO EN CHINA PARA: | HERGESTELLT IN CHINA FÜR:

ONWARD MANUFACTURING COMPANY LIMITED  
585 Kumpf Drive • Waterloo, Ontario, Canada • N2V 1K3 ©2022

Broil King® Deutschland GmbH  
Spinnerweg 51-54 • 53783 Eitorf ©2022

[www.broilkingbbq.com](http://www.broilkingbbq.com)  
1-800-474-5776